

FL SWITCH 2008 - Industrial Ethernet Switch



2702324

<https://www.phoenixcontact.com/us/products/2702324>

Please be informed that the data shown in this PDF document is generated from our online catalog. Please find the complete data in the user documentation. Our general terms of use for downloads are valid.

Managed Switch 2000, 8 RJ45 ports 10/100 Mbps, PROFINET Conformance-Class A



Your advantages

- VLANs
- DHCP client, DHCP server (port-based)
- MRP client
- Unmanaged Mode
- RSTP
- Web-based management, SNMP
- Configuration memory
- Easy and fast startup and commissioning with the FL NETWORK MANAGER software
- Suitable for PROFINET and EtherNet/IP™ networks

Commercial data

| | |
|--------------------------------------|---------------------|
| Item number | 2702324 |
| Packing unit | 1 pc |
| Minimum order quantity | 1 pc |
| Sales key | DN17 |
| Product key | DNN121 |
| Catalog page | Page 304 (C-6-2019) |
| GTIN | 4055626128917 |
| Weight per piece (including packing) | 385.6 g |
| Weight per piece (excluding packing) | 240 g |
| Customs tariff number | 85176200 |
| Country of origin | DE |

FL SWITCH 2008 - Industrial Ethernet Switch

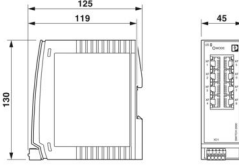


2702324

<https://www.phoenixcontact.com/us/products/2702324>

Technical data

Dimensions

| | |
|---------------------|--|
| Dimensional drawing |  |
| Width | 45 mm |
| Height | 130 mm |
| Depth | 119 mm |

Notes

| | |
|---------------------|--|
| General | Support by phone or on-site (fee is charged) |
| Note on application | |
| Note on application | Only for industrial use |

Material specifications

| | |
|------------------|--------------------------------|
| Housing material | Polycarbonate fiber reinforced |
|------------------|--------------------------------|

Mounting

| | |
|---------------|-------------------|
| Mounting type | DIN rail mounting |
|---------------|-------------------|

Interfaces

Ethernet (RJ45)

| | |
|-------------------------------|-----------------------------------|
| Number of interfaces | 8 |
| Connection method | RJ45 |
| Note on the connection method | Auto negotiation and autocrossing |
| Transmission speed | 10/100 Mbps |
| Transmission physics | Copper |
| Transmission length | 100 m (per segment) |
| Signal LEDs | Data receive, link status |
| No. of channels | 8 (RJ45 ports) |

Product properties

| | |
|----------------|--|
| Product type | Switch |
| Product family | Managed Switch 2000 |
| Type | Book type |
| MTTF | 507.8 Years (SN 29500 standard, temperature 25°C, operating cycle 21%) 246.55 Years (SN 29500 standard, temperature 40°C, operating cycle 34.25%) |

FL SWITCH 2008 - Industrial Ethernet Switch



2702324

<https://www.phoenixcontact.com/us/products/2702324>

| | |
|--------------|---|
| | 56.66 Years (SN 29500 standard, temperature 55°C, operating cycle 100%) |
| Signal delay | ≥ 6.5 μs (Store and Forward mode, 10/100 Mbps, depending on the frame size) |

Data management status

| | |
|------------------|----|
| Article revision | 10 |
|------------------|----|

Insulation characteristics

| | |
|---------------------|----------------|
| Protection class | III (VDE 0106) |
| Degree of pollution | 2 |

Switch functions

| | |
|----------------------------------|---|
| Diagnostic functions | RMON History |
| | LLDP (Link Layer Discovery Protocol) |
| | SNMP-Traps |
| | N:1-Portmirroring |
| | ACD (Address Conflict Detection) |
| | SysLog |
| | CRC-Surveillance |
| Basic functions | Store-and-forward switch, complies with IEEE 802.3 |
| PROFINET conformance class | Conformance-Class A |
| Filter functions | Quality of Service (8 priority classes) |
| | Class of Service |
| | DiffServ/DSCP |
| | Port-Priorisierung |
| | VLAN (up to 8 VLANs) |
| | IGMP Snooping/Querier (v1/v2) |
| | Auto-Query-Port |
| IP parameterization | Extended Multicast Filtering |
| | DHCP-Client |
| | DHCP server (port based) |
| MAC address table | BootP |
| | 8k |
| Management | Web-based management (HTTP/HTTPS) |
| | Role-based user management (LDAP) |
| | SNMPv1/v2/v3 |
| | Command Line Interface (Telnet, SSH) |
| Redundancy | MRP (Media Redundancy Protocol) |
| | RSTP (Rapid Spanning Tree Protocol) |
| Status and diagnostic indicators | LEDs: US (power supply), 2 LEDs per Ethernet port (Link/Activity and Speed) |
| Additional functions | Transmission of MMS and GOOSE (IEC 61850-8-1) |
| | Transmission of Modbus/TCP |
| Time synchronization | SNTP (Simple Network Time Protocol) |

Security functions

FL SWITCH 2008 - Industrial Ethernet Switch



2702324

<https://www.phoenixcontact.com/us/products/2702324>

| | |
|-----------------|--|
| Basic functions | Store-and-forward switch, complies with IEEE 802.3 |
|-----------------|--|

Electrical properties

| | |
|---|---|
| Current consumption | 180 mA |
| Local diagnostics | US Supply voltage Green LED |
| | LNK/ACT Link status Green LED |
| | SPD Data transmission speed Green LED |
| Maximum power dissipation for nominal condition | 4.86 W (At $U_S = 18$ V DC and 60°C ambient temperature) |
| Test section | 24 V supply / functional ground 500 V DC 1 min. |
| | Ethernet interface/all other potentials 2.25 kV DC 1 min. |
| Transmission medium | Copper |

Supply

| | |
|-----------------------------|--|
| Supply voltage (DC) | 24 V DC (single) |
| Supply voltage range | 18 V DC ... 32 V DC |
| Power supply connection | via COMBICON, max. conductor cross section 1.5 mm ² |
| Residual ripple | 3.6 V _{PP} (within the permitted voltage range) |
| Max. current consumption | 0.35 A (At $U_S = 18$ V DC and 60°C ambient temperature) |
| Typical current consumption | 180 mA (at $U_S = 24$ V DC and 25 °C ambient temperature) |
| Current consumption | 180 mA |

Connection data

| | |
|-----------------------------------|---|
| Connection method | Push-in spring connection |
| Note on the connection method | Use only copper connecting cables providing the permitted temperature range (-40 °C ... 75 °C). |
| Conductor cross section, rigid | 0.25 mm ² ... 1.5 mm ² |
| Conductor cross section, flexible | 0.25 mm ² ... 1.5 mm ² |
| Conductor cross section AWG | 24 ... 16 |
| Stripping length | 9 mm |

Environmental and real-life conditions

Ambient conditions

| | |
|--|---|
| Degree of protection | IP20 |
| Ambient temperature (operation) | 0 °C ... 60 °C |
| Ambient temperature (storage/transport) | -40 °C ... 85 °C |
| Permissible humidity (operation) | 10 % ... 95 % (non-condensing) |
| Permissible humidity (storage/transport) | 10 % ... 95 % (non-condensing) |
| Shock (operation) | 30g (EN 60068-2-27) |
| Vibration (operation) | 2g, according to IEC 60068-2-6 |
| Air pressure (operation) | 86 kPa ... 108 kPa (1500 m above sea level) |
| Air pressure (storage/transport) | 86 kPa ... 108 kPa (1500 m above sea level) |

Standards and regulations

| | |
|---|-----|
| Free from substances that could impair the application of coating | Yes |
|---|-----|

FL SWITCH 2008 - Industrial Ethernet Switch



2702324

<https://www.phoenixcontact.com/us/products/2702324>

Approvals

UL, USA/Canada

| | |
|----------------|---|
| Identification | cULus |
| Note | UL 61010-1, Ed. 3 / UL 61010-2-201, Ed. 1, CSA C22.2 NO. 61010-2-201:14, Ed. 1 / CSA C22.2 NO.61010-1-12, Ed. 3 |

EMC data

| | |
|---------------------------------|--|
| Conformance with EMC directives | EN 61000-6-2 EN 61000-4-2 (ESD) Criterion B |
| | EN 61000-6-2 EN 61000-4-3 (electromagnetic fields) Criterion A |
| | EN 61000-6-2 EN 61000-4-4 (EFT burst) Criterion A |
| | EN 61000-6-2 EN 61000-4-5 (surge) Criterion B |
| | EN 61000-6-2 EN 61000-4-6 (line noise immunity) Criterion A |
| | EN 61000-6-2 EN 61000-6-4 (interference) Class A |
| | EN 61000-6-2 EN 61000-6-4 (conducted interference) Class A |
| Noise immunity | EN 61000-6-2 |
| Electromagnetic compatibility | Conformance with EMC Directive 2014/30/EU |
| Noise emission | EN 61000-6-4 |

System properties

Functionality

| | |
|-----------------|--|
| Basic functions | Store-and-forward switch, complies with IEEE 802.3 |
|-----------------|--|

Signaling

| | |
|----------------|---|
| Status display | LEDs: US (power supply), 2 LEDs per Ethernet port (Link/Activity and Speed) |
|----------------|---|

FL SWITCH 2008 - Industrial Ethernet Switch

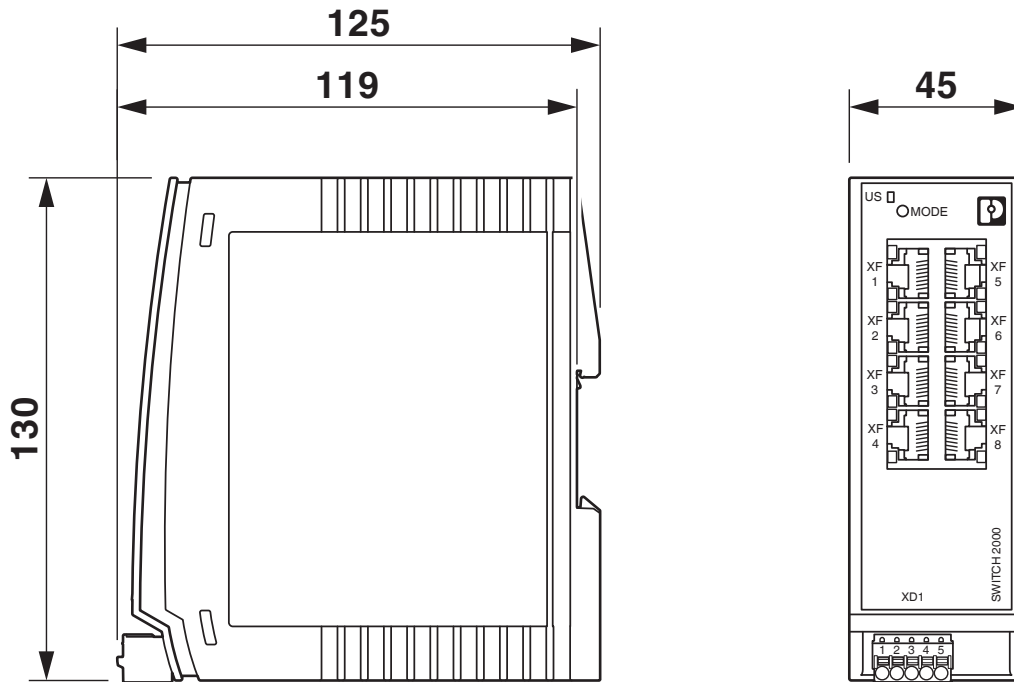
2702324

<https://www.phoenixcontact.com/us/products/2702324>



Drawings

Dimensional drawing



FL SWITCH 2008 - Industrial Ethernet Switch



2702324

<https://www.phoenixcontact.com/us/products/2702324>

Approvals

🔗 To download certificates, visit the product detail page: <https://www.phoenixcontact.com/us/products/2702324>



EAC

Approval ID: RU*-DE.*.B.00741/19

UAE-RoHS

Approval ID: 23-02-63230



cULus Listed

Approval ID: E238705

FL SWITCH 2008 - Industrial Ethernet Switch



2702324

<https://www.phoenixcontact.com/us/products/2702324>

Classifications

ECLASS

| | |
|-------------|----------|
| ECLASS-11.0 | 19170401 |
| ECLASS-12.0 | 19170401 |
| ECLASS-13.0 | 19170401 |

ETIM

| | |
|----------|----------|
| ETIM 9.0 | EC000734 |
|----------|----------|

UNSPSC

| | |
|-------------|----------|
| UNSPSC 21.0 | 43222600 |
|-------------|----------|

FL SWITCH 2008 - Industrial Ethernet Switch



2702324

<https://www.phoenixcontact.com/us/products/2702324>

Environmental product compliance

EU RoHS

| | |
|---|--------------|
| Fulfills EU RoHS substance requirements | Yes |
| Exemption | 7(a), 7(c)-I |

China RoHS

| | |
|--|---|
| Environment friendly use period (EFUP) | EFUP-50 |
| | An article-related China RoHS declaration table can be found in the download area for the respective article under "Manufacturer declaration". For all articles with EFUP-E, no China RoHS declaration table issued and required. |

EU REACH SVHC

| | |
|-------------------------------------|--------------------------------------|
| REACH candidate substance (CAS No.) | Lead(CAS: 7439-92-1) |
| SCIP | 3608eecc-d4c5-4819-8856-5594a5fc81f4 |

EF3.0 Climate Change

| | |
|---------|--------------|
| CO2e kg | 8.88 kg CO2e |
|---------|--------------|

Phoenix Contact 2024 © - all rights reserved
<https://www.phoenixcontact.com>

Phoenix Contact USA
586 Fulling Mill Road
Middletown, PA 17057, United States
(+717) 944-1300
info@phoenixcon.com