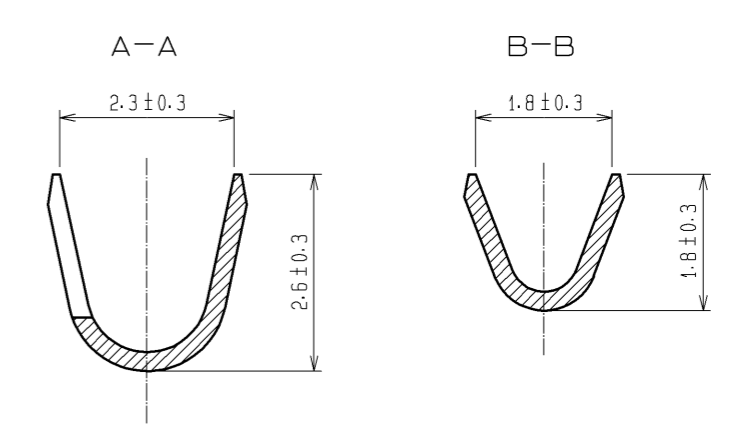
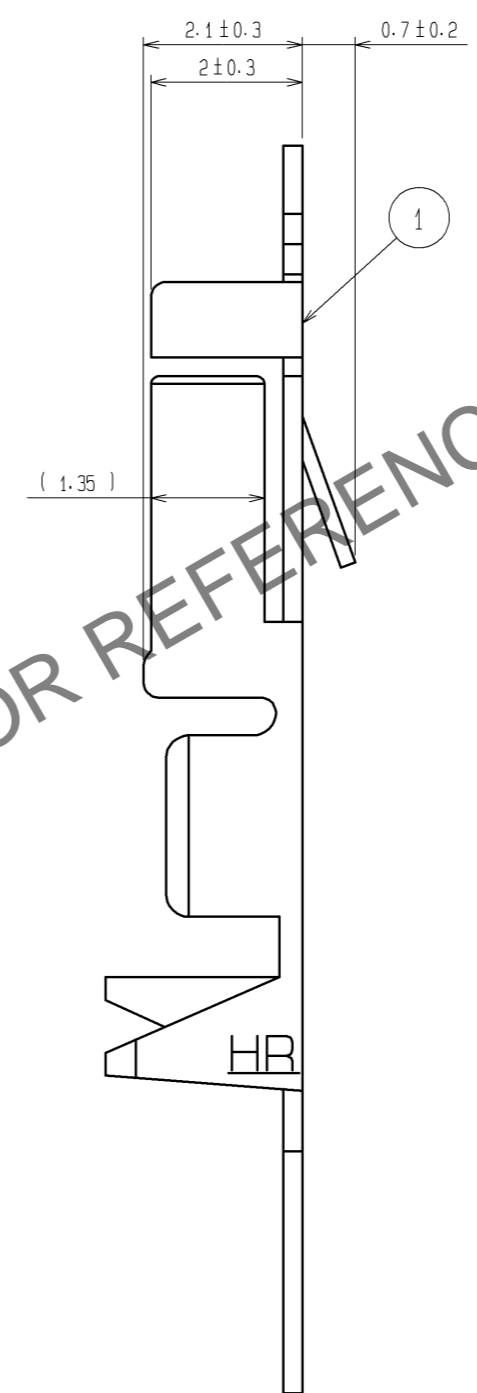
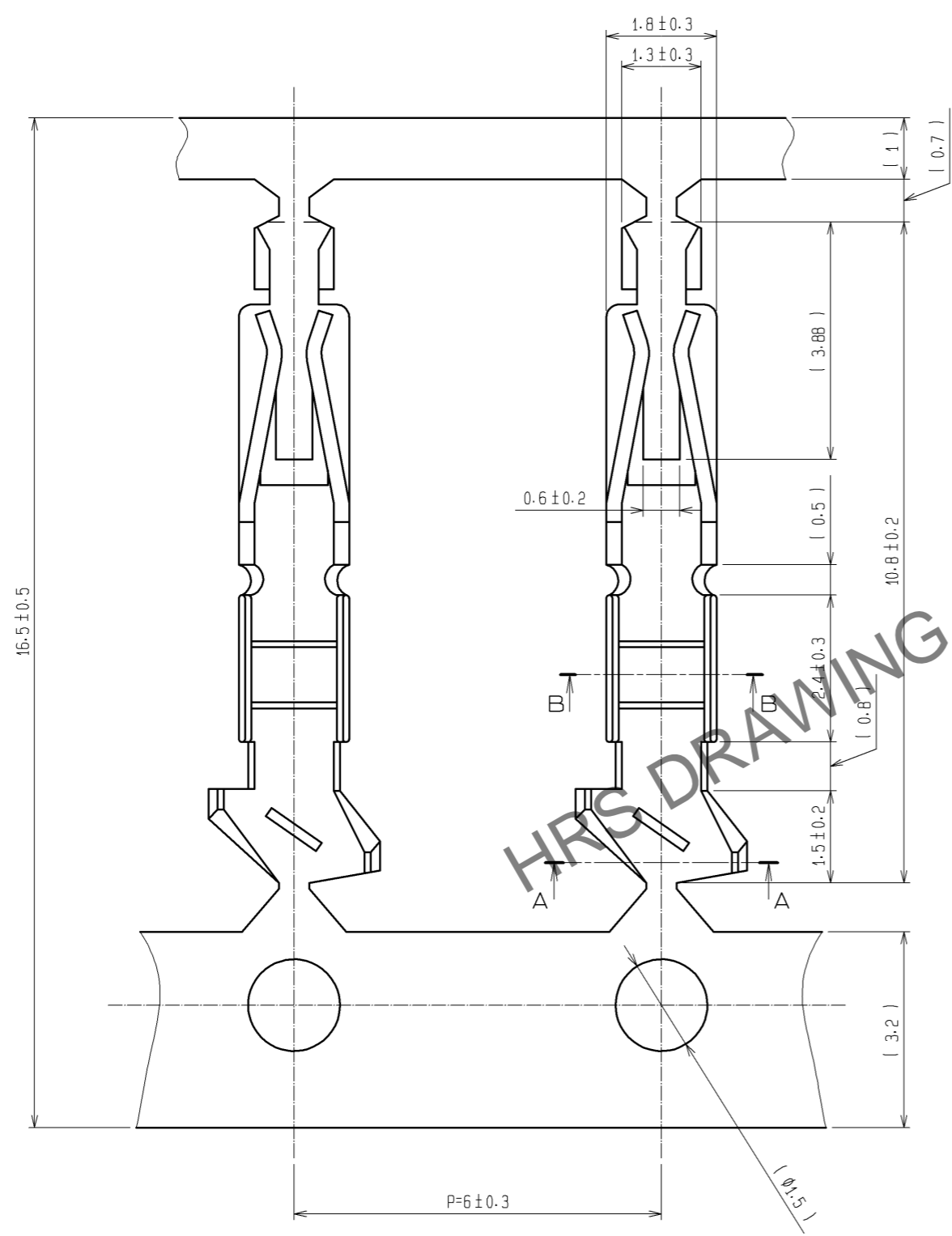


Jun.1.2024 Copyright 2024 HIROSE ELECTRIC CO., LTD. All Rights Reserved.  
 In case of consideration for using Automotive equipment / device which demand high reliability, kindly contact our sales window correspondents.



NOTE1. 1 REEL IS CONSISTS OF 10000 CONTACTS.

NO.	MATERIAL	FINISH . REMARKS	NO.	MATERIAL	FINISH . REMARKS
1	PHOSPHOR BRONZE	TIN PLATED 2μm min			

UNITS	SCALE	COUNT	DESCRIPTION OF REVISIONS	DESIGNED	CHECKED	DATE
mm	10 : 1	△				
APPROVED : TS. SAKATA			07. 10. 09	DRAWING NO. EDC3-007982-03		
CHECKED : HK. UMEHARA			07. 10. 05	PART NO. HNC-2.5S-C-A(15)		
DESIGNED : KT. ISHII			07. 10. 04	CODE NO. CL218-0021-5-15		
DRAWN : KT. ISHII			07. 10. 04	△ 1/1		