

# NX-series I/O System

Unique I/O increases application quality and range



- Standardization of control system
- Quality improvement by synchronizing data collection
- Flexible system configuration



# Unique I/O increases application quality and range

The NX I/O connects sensors and actuators on production lines to optimize applications

Application example	IoT	Weighing	Servo press	Safety control	Temperature control	Motion		
	IO-Link makes communication down to the sensor level visible  Applicable units: NX-ECC203 NX-ILM400 <b>New</b>	High-accuracy weighing using load cells  Applicable units: NX-RS1201 <b>New</b>	High-speed, high-precision press fit using load cells  Applicable units: NX-RS1201 <b>New</b> NX-SIH200 NX-SOD400	Simplify safety control systems  Applicable units: NX-SL3300 NX-SIH400 NX-SOH200	Simplify temperature control systems using temperature sensors  Applicable units: NX-TS3101 NX-HB3101 <b>New</b>	Simplify position control systems using pulse-train input type motors  Applicable units: NX-ECS212 NX-PG0342-5 <b>New</b>		
 Corresponding to our shared Value Design for Panel concept for the specifications of products								
Communications coupler • EtherCAT • EtherNet/IP™	<b>New</b> IO-Link master • Up to 4 IO-Link devices with one master  Serial communications • RS-232C or RS-422A/485 interface	Digital I/O • 4, 8, 16, or 32 channels per input unit • 2, 4, 8, 16, or 32 channels per output unit (8 channels per relay output unit) <b>New</b> • 16 channels per mixed I/O unit • Standard, high-speed, and time-stamp models • Units with Push-In Plus/MIL/Fujitsu/M3 Screw connector	Analog I/O • +/-10V voltage and 4-20 mA current signals • 2, 4 or 8 channels per input unit • 2 or 4 channels per output unit • Standard and high-performance models • Single-ended input and differential input models	<b>New</b> Load cell inputs • One load cell with one unit • Fastest conversion cycle of 125 μs	Safety I/O • 4 or 8 safety input points per unit • 2 or 4 safety output points per unit • Free allocation of the safety I/O units on the internal high speed bus  Safety CPU • EN ISO13849-1 (PLe/Safety Category 4), IEC 61508 (SIL3) certified • Controls up to 128 safety I/O units	Temperature inputs • Thermocouple or RTD inputs, 2 or 4 per unit • Conversion time of 10 ms, 60 ms or 250 ms  <b>New</b> Heater burnout detection • 4 CT sensor inputs and 4 trigger outputs to drive SSRsSSRs	Position interface • Incremental and absolute encoder support • Pulse output unit (line driver output model) <b>New</b>	End cover

Sysmac is a trademark or registered trademark of OMRON Corporation in Japan and other countries for OMRON factory automation products. EtherCAT® and Safety over EtherCAT® are the registered trademarks and patented technology, licensed by Beckhoff Automation GmbH, Germany. EtherNet/IP™ is the trademark of ODVA. SQL Server and Visual Basic are either registered trademarks or trademarks of Microsoft Corporation in the United States and/or other countries. Other company names and product names in this document are the trademarks or registered trademarks of their respective companies. The product photographs and figures that are used in this catalog may vary somewhat from the actual products. Microsoft product screen shot(s) reprinted with permission from Microsoft Corporation.



# Simplicity for advanced control

## A fully integrated platform

The NX I/O is used to integrate sequence, motion, analog, vision, and safety control, previously done by PLC and dedicated controllers, and visualization of previously invisible sensor data within the Sysmac automation platform.

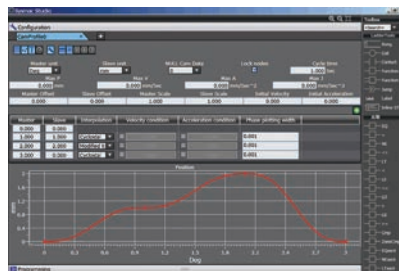
### Sequence control

Multi-tasking and fully compliant with IEC 61131-3 standard programming and PLCopen® Function Blocks.



### Motion control

PLCopen® Function Blocks for the motion control library are available to implement advanced motion control.



### Analog control

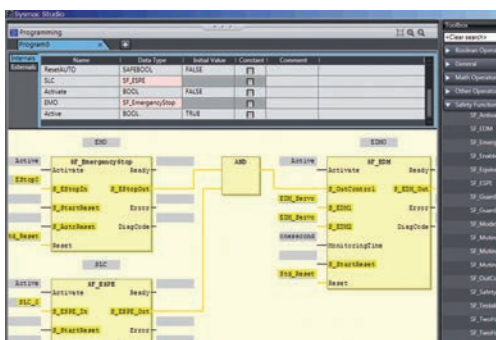
The Sysmac Library\* and instructions make temperature, weighing, and load control easier.



Weighing Control Library  
Servo Press Library



\* The Sysmac Library is a collection of software functional components that can be used in programs for the NJ/NX/NY Controllers. Sample programs and HMI templates are also available. Download from Omron website and install to use in the Automation Software Sysmac Studio. [http://www.ia.omron.com/sysmac\\_library/](http://www.ia.omron.com/sysmac_library/)



### Safety control

Conforms with PLCopen® Function Blocks for Safety.



## Feature of Sysmac

- One Control through
- One Software and
- One Network
- simplifies control system configuration

## Visualized sensor data

TIO-Link makes communication down to the sensor level visible



Interfaces for sequence, motion, safety, and analog control and communications required for machines



Connecting directly to most sensors, actuators, and safety components



Note: Functionality provided by the EtherCAT coupler unit



# Synchronized control for high-speed performance

## Production data collection synchronized at high speed

Based on an internal high-speed bus running in synchronization with the EtherCAT network and CPU cycle, the NX I/O can be controlled and used for position, analog, and digital data collection with microsecond accuracy and with nanosecond resolution.

### Feature

#### High-speed I/O units accurately synchronized with the CPU cycle\*

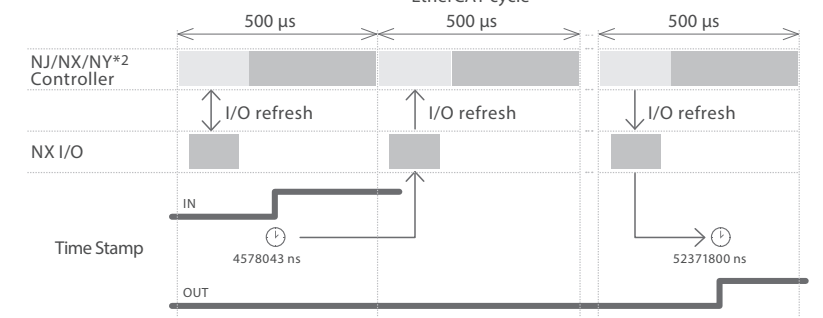
- Digital I/O: High-speed and time-stamp models (NsynX)
- Analog I/O: 10  $\mu$ s conversion time per channel and 1:30000 resolution
- Load cell inputs: 125  $\mu$ s conversion time per channel and 24-bit resolution

\*Fastest cycle time: NX7=125  $\mu$ s, NJ5=500  $\mu$ s

### Nsynx technology

- The NsynX technology is provided by the internal high-speed bus synchronized with the EtherCAT network. This technology is designed for machine control and includes:
- I/O units with distributed clock
- High-speed I/O units synchronized with the EtherCAT cycle
- I/O units with Time-Stamp function (accuracy < 1  $\mu$ s)

#### Time Stamp sequence example



Accurate control of input events and perfect control of output with nanosecond resolution



#### Distributed clock

The EtherCAT node slave measures the time difference between incoming and returning frame - Time-Stamp function. With this Time-Stamp function the master can determine the propagation delay offset to the individual slave accurately. This mechanism ensures accurate synchronization between devices with less than 1  $\mu$ s jitter.

#### Synchronous production data collection

Data can be collected from the load cell (load data) and servo system (position and torque data) in synchronization with the CPU cycle.

Note: Functionality provided by the EtherCAT coupler unit



# Simplify system configurations

## The choice is yours

The modern control system demands increasing levels of flexibility. The NX I/O enables connection with various controllers through the global standard network, which expands system configuration possibilities. Modular remote I/O systems offer flexibility in I/O configuration and a wide choice of signal types and performance levels so that every I/O station can be assembled with just the right combination without changing the control architecture.

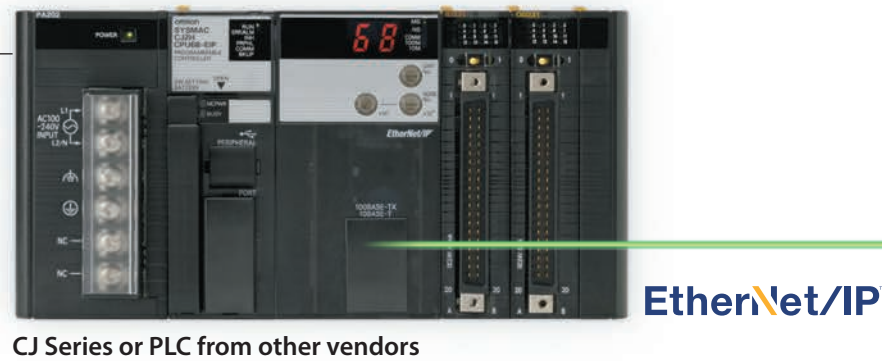
### EtherCAT

EtherCAT specification is governed by the EtherCAT Technology Group (ETG). EtherCAT is suitable for motion control and other applications that require high speed and high precision because of no need of handshaking and high bandwidth utilization.



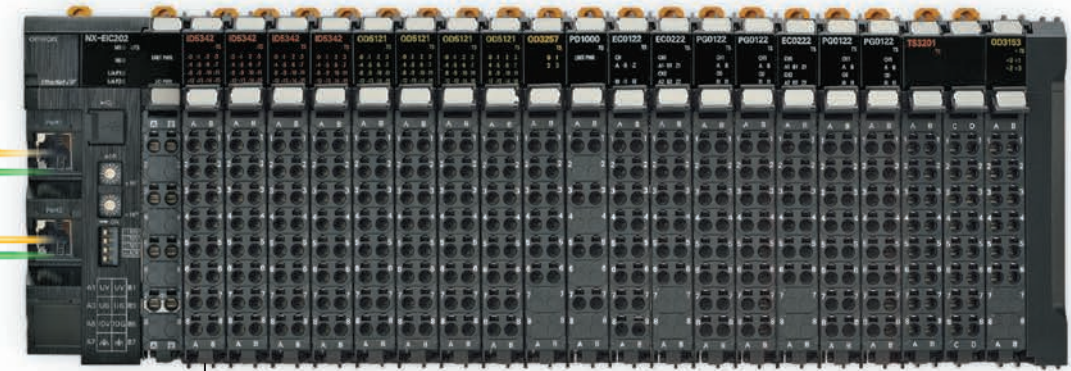
### EtherNet/IP

EtherNet/IP specification is governed by the Open DeviceNet Vendors Association (ODVA). Based on standardized Ethernet protocols (TCP/IP, UDP/IP), EtherNet/IP devices can be mixed with standard Ethernet devices.



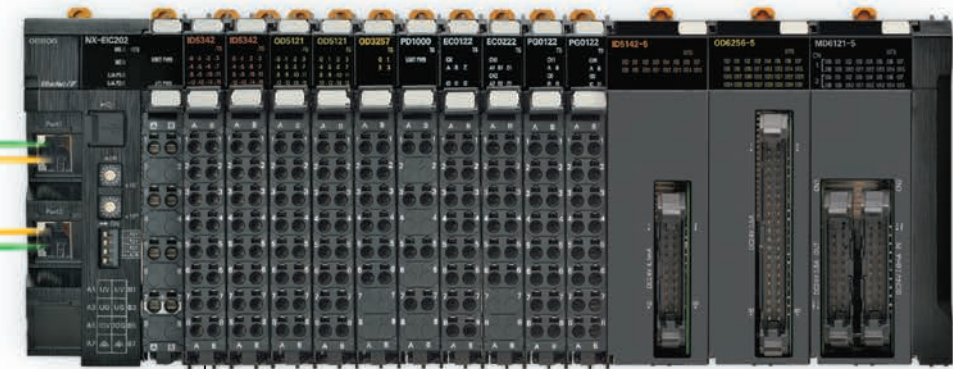
## Feature

**Wide choice:** More than 100 types of I/O unit, from 2 to 32 points in one unit



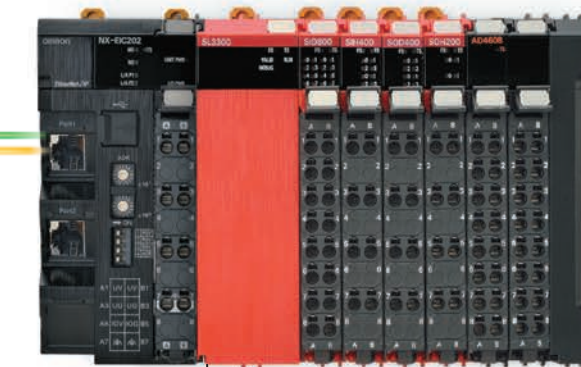
### Types of NX I/O Units

- Digital Input/Output Units
- Analog Input/Output Units
- Temperature Input Units
- Encoder/Positioning Units
- System Units
- Serial communication Units



### Quick connections

- Detachable screwless terminal block for easy commissioning and maintenance
- Push-In Plus connections speed up installation
- MIL/Fujitsu connectors for high-density I/O



### Safety integrated

The NX Safety CPU Unit and Safety I/O Units can be mixed with standard I/O units to create a complete modular safety control system

- Note:
1. Communications coupler units vary depending on the connected network.
  2. Connectable units vary depending on the communications coupler unit.
  3. The number of connectable nodes varies depending on the master.



# Downsize machines and control panels

## Reduce wiring time and save space

Push-In Plus connections reduce the work and time required for wiring. Modular design saves space. Also designed for installation in any orientation, the NX I/O can be freely allocated in machines.

Up to 63 units per communication coupler



12mm

### Feature of Sysmac

**Compact design:** Up to 16 digital signals in 12 mm width

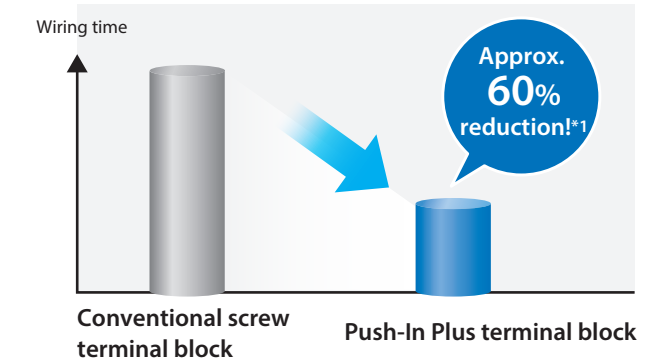


Corresponding to our shared Value Design for Panel concept for the specifications of products



## Greatly reduce wiring work with Push-In Plus terminal blocks

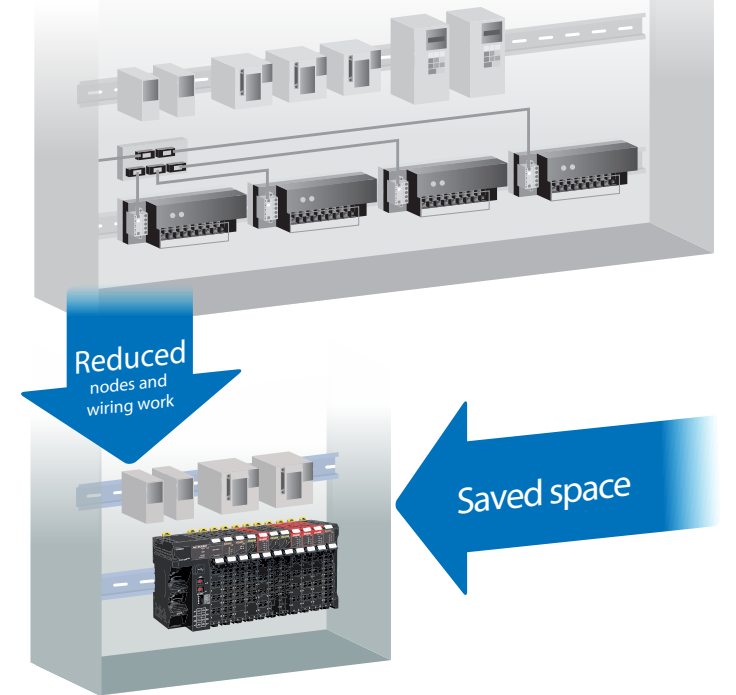
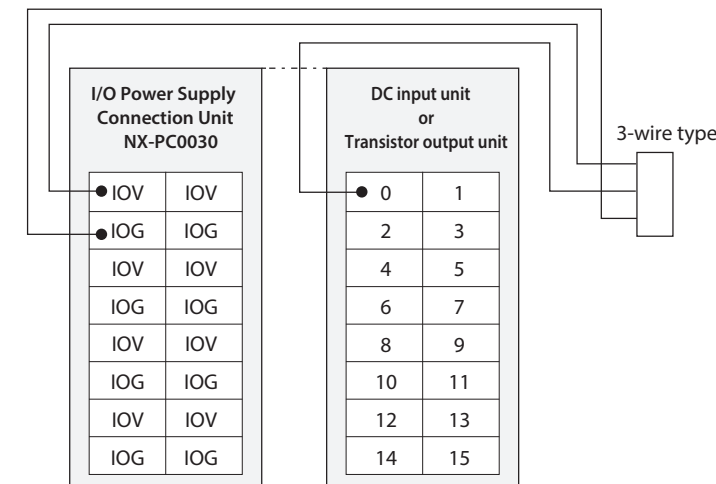
Push-In Plus terminal blocks make wiring work easy - just insert wires.



\*1. Information for Push-In Plus and screw terminal blocks is based on Omron's actual measurement data.

## Save space in control panels

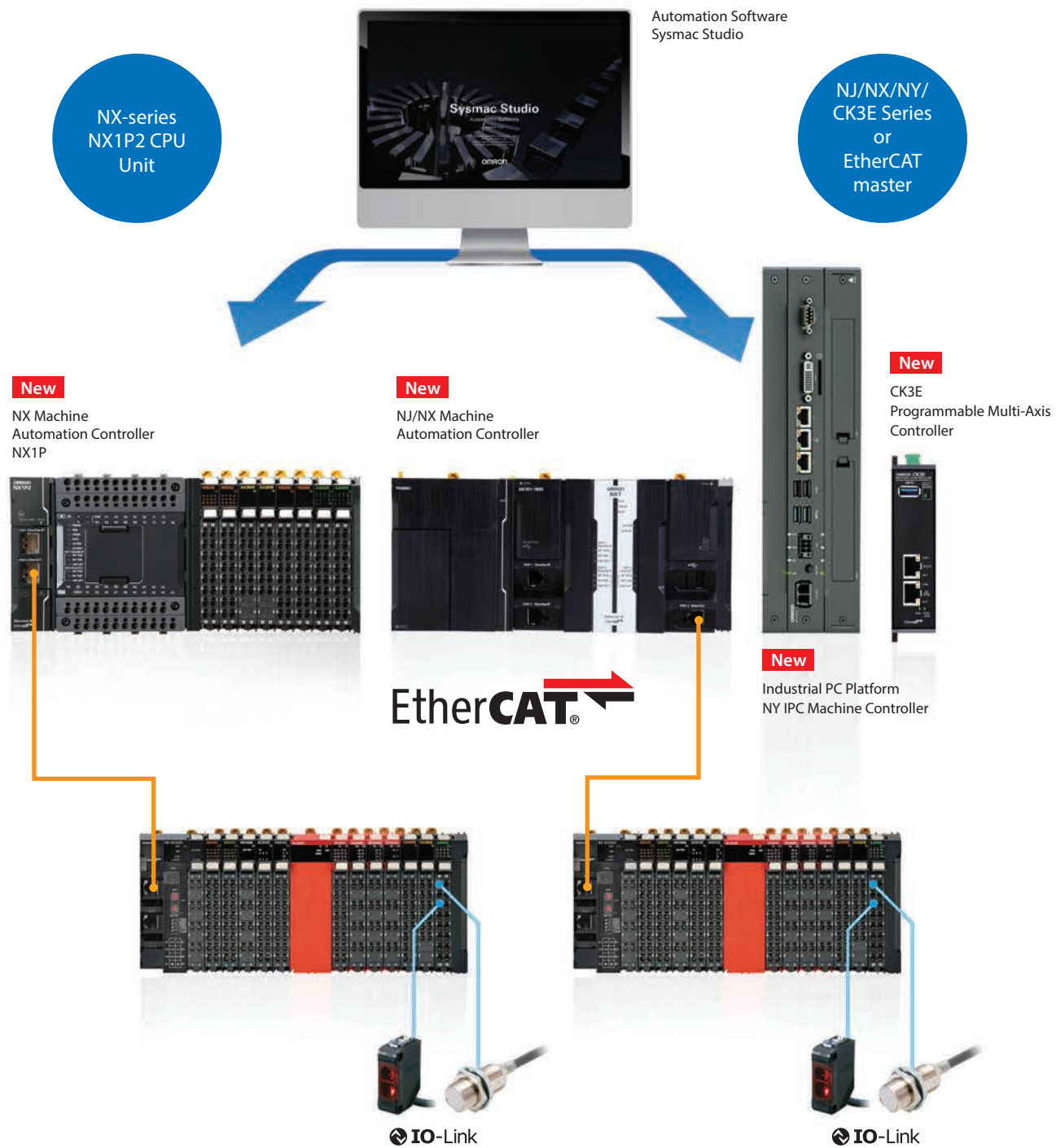
V and G terminals are provided for each input signal (NX-PC0030). No relay terminal block is required, which saves space in control panels.



# Flexible connectivity expands system configuration possibilities

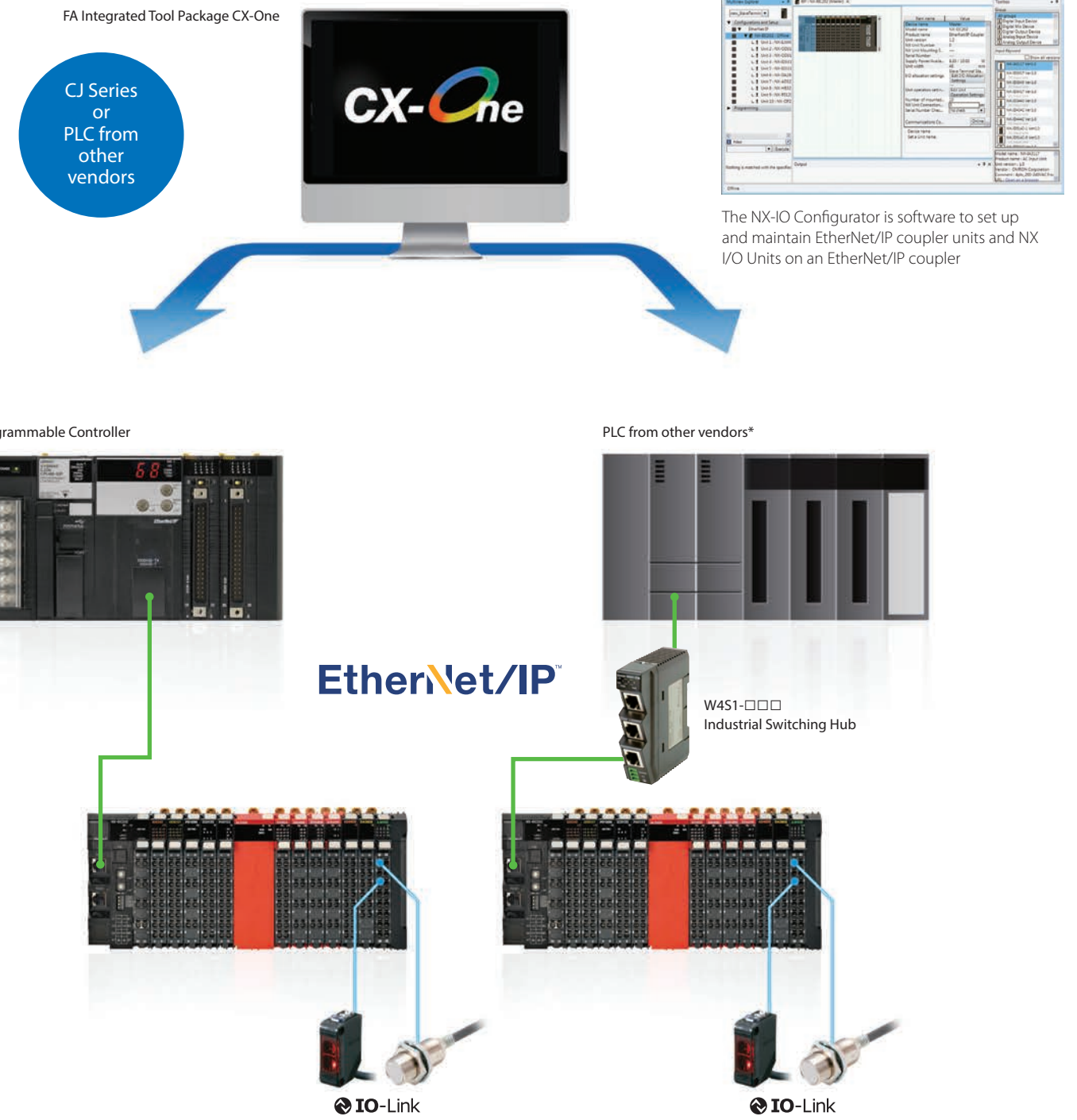
## One I/O system for various controllers

While different machines may require different levels of controller performance, the NX I/O is the only remote I/O system you will need. This will unify wiring and installation techniques, and simplify spare parts stock.



## Features

- Multivendor compatibility  
The NX I/O can be connected with PLC from other vendors as well as Omron PLC
- Start a small-scale IO-Link  
IO-Link and other unique I/O systems can be easily integrated into existing machine configurations



\* Connect the NX I/O system to a PLC from another vendor via a switching hub and set up with the CX-One.

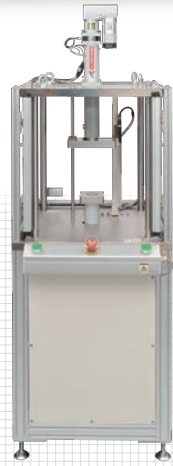


Application example 1- Load cells

# Press fit using servo press

Improve both speed and quality of the press-fit process

Load data is collected in synchronization with the CPU cycle for high-speed measurement, high-speed servo press control, and precision improvement.

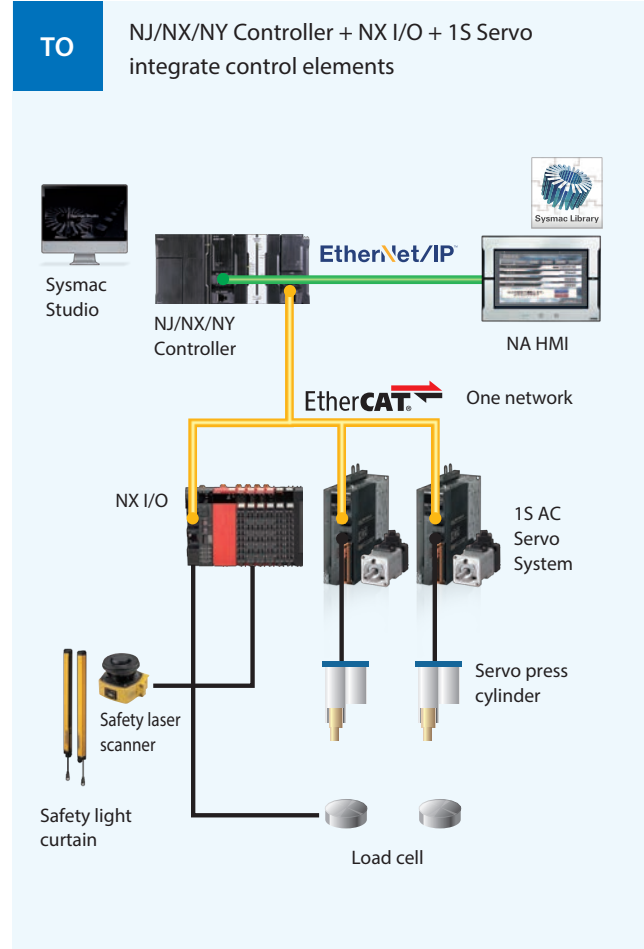
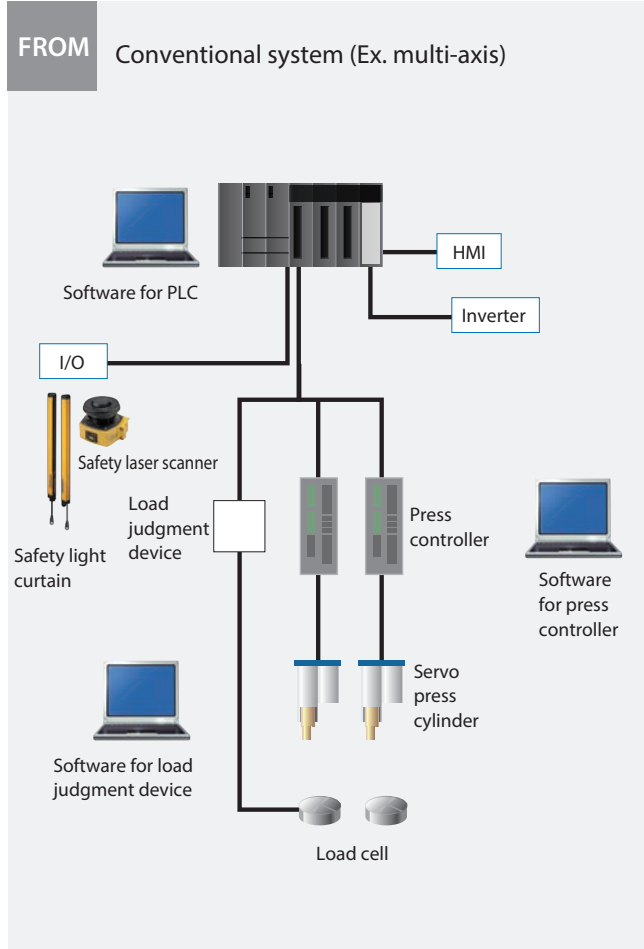


Previous issues

- Wait time must be considered to operate the dedicated press controller together with the main PLC.
- Load, position, and torque data collected at the same time cannot be checked from the host device.

Solution using Sysmac

- One CPU system capable of switching between position, velocity, and torque control without stopping
- Fastest control cycle of 125 μs and servo press function using software for required control
- High-speed measurement and control by collecting load data synchronized with servo data (position and torque data).



Application example 2- Temperature control

# Packaging machines and molding machines

(Temperature/motion/weighing)

Reduce material and design costs to implement temperature control

TCO can be reduced by eliminating the need for the dedicated temperature controller and reducing inventory control work and communications programming work.

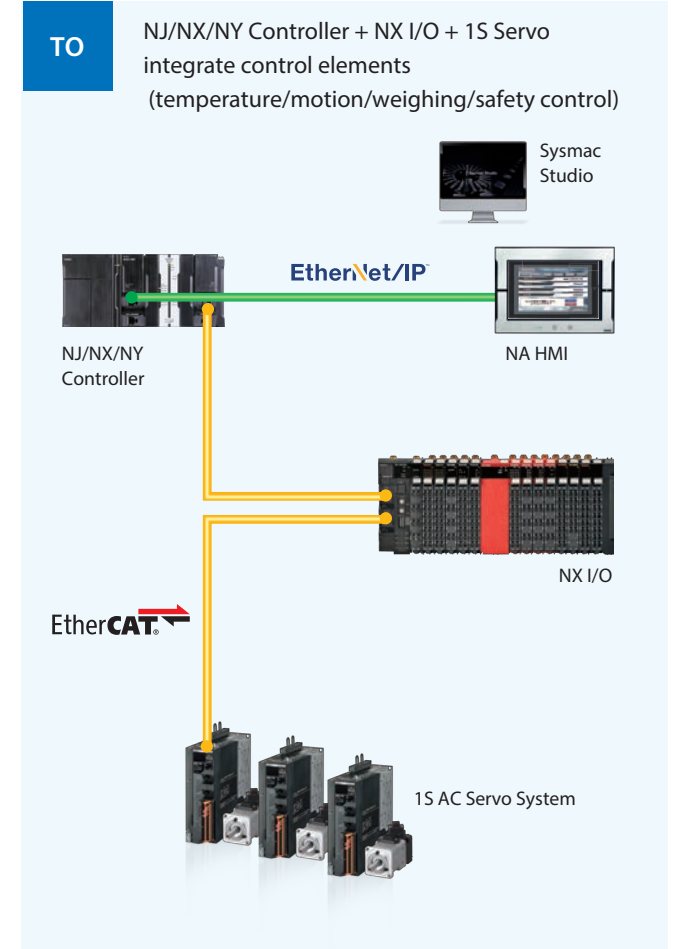
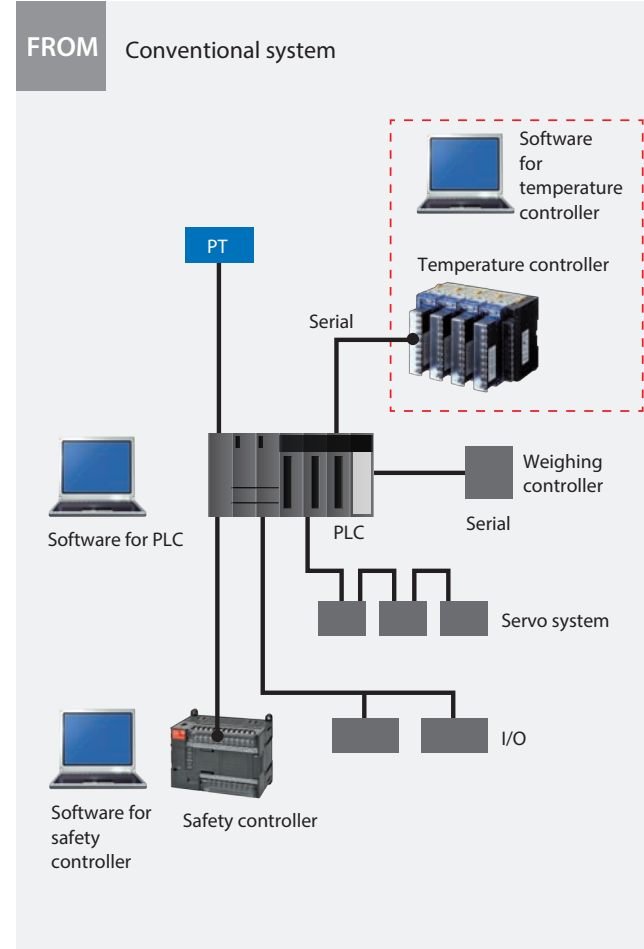


Previous issues

- Communications networks are selected for each device, and dedicated software for each component is used.
- Ladder program and memory configuration for communications are required.

Solution using Sysmac

- Dedicated controllers, dedicated software, separate networks, and separate programs are no longer required





Application example 3 - Photoelectric sensors and proximity sensors

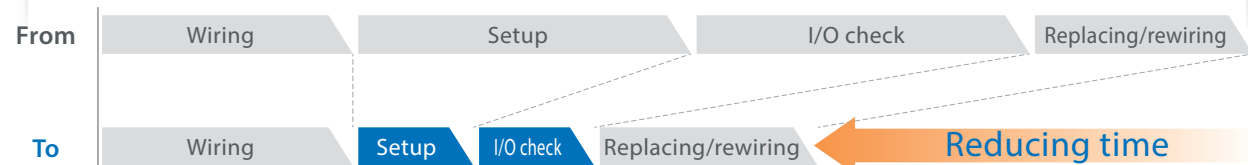
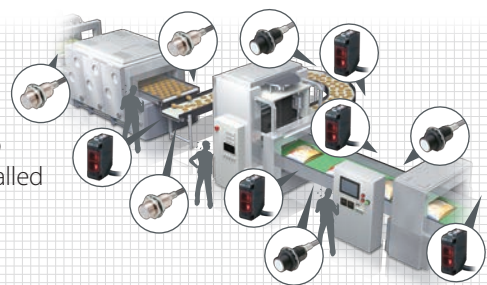
# Improving system commissioning and changeover efficiency

## Reduce work by individual identification

IO-Link photoelectric sensors and proximity sensors allow you to check individual sensor identifications in batches without going to the site, which results in a significant reduction of commissioning time.

### Previous issues

- During system commissioning or changeover, operators have to perform the I/O check for each of the thousands of sensors installed on the line, and it took an enormous amount of time.
- Incorrect sensor installation creates unnecessary extra work.

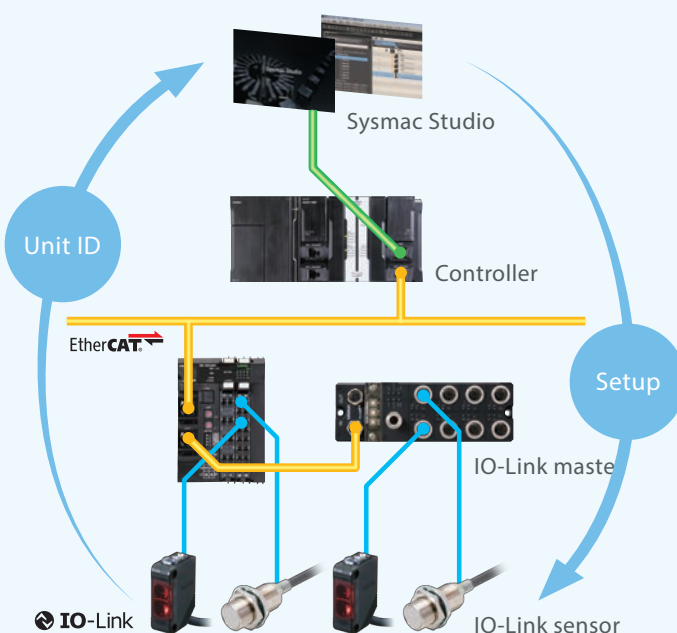


\* The graph above is a conceptual illustration.

### Setup

#### Setting all sensors from a host device at the same time

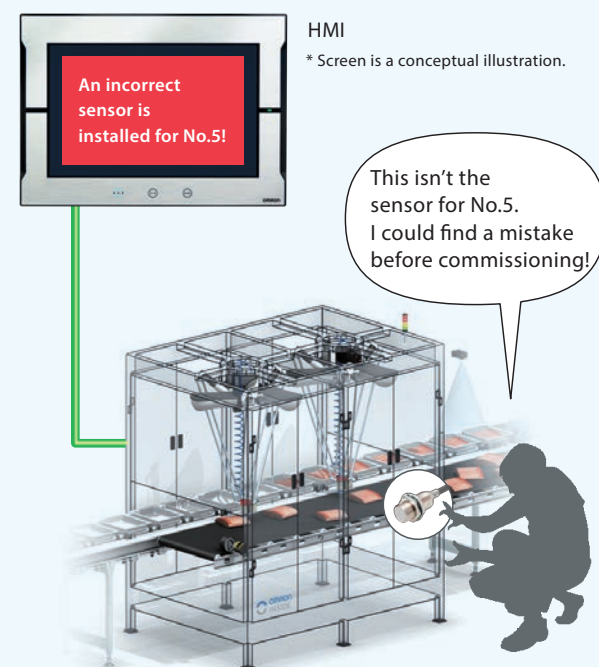
Reduce setting time and inconsistent settings



### I/O check

#### Identification checks with HMI

Check sensor installation before commissioning to prevent installation mistakes



HMI  
\* Screen is a conceptual illustration.

## Slave Terminals NX Series

### Ordering Information

#### International Standards

- The standards are abbreviated as follows: U: UL, U1: UL (Class I Division 2 Products for Hazardous Locations), C: CSA, UC: cULus, UC1: cULus (Class I Division 2 Products for Hazardous Locations), CU: cUL, N: NK, L: Lloyd, CE: EU Directives, RCM: Regulatory Compliance Mark, and KC: KC Registration.
- Contact your OMRON representative for further details and applicable conditions for these standards.

#### Communications Coupler Units

##### ● EtherCAT Coupler Units

Unit type	Product name	Communications cycle in DC Mode	Current consumption	Maximum I/O power supply current	Model	Standards
NX-series Communications Coupler Unit * 1		250 to 4000 μs * 2	1.45 W or lower	4 A	NX-ECC201	UC1, N, L, CE, RCM, KC
		250 to 4000 μs * 2				
		125 to 10000 μs * 2	1.25 W or lower	10 A	NX-ECC203	UC1, CE, RCM, KC

\*1. One End Cover NX-END01 is provided with the EtherCAT Coupler Unit.

\*2. This depends on the specifications of the EtherCAT master. For example, the values are as follows when the EtherCAT Coupler Unit is connected to the built-in EtherCAT port on an NJ5-series CPU Unit: 500 μs, 1,000 μs, 2,000 μs, and 4,000 μs. For the specifications of the built-in EtherCAT port, refer to the user's manual for the built-in EtherCAT port on the connected CPU Unit or the Industrial PC. This depends on the Unit configuration.

##### ● EtherNet/IP Coupler Unit

Unit type	Product name	Current consumption	Maximum I/O power supply current	Model	Standards
NX-series Communications Coupler Unit *		1.60 W or lower	10 A	NX-EIC202	UC1, CE, RCM, KC

\* One End Cover NX-END01 is provided with the EtherCAT Coupler Unit.

### Digital Input Units

#### ● DC Input Units (Screwless Clamping Terminal Block, 12 mm Width)

Unit type	Product name	Specification					Model	Standards		
		Number of points	Internal I/O common	Rated input voltage	I/O refreshing method	ON/OFF response time				
NX-series Digital Input Unit		4 points	NPN	12 to 24 VDC	Switching Synchronous I/O refreshing and Free-Run refreshing	20 μs max./ 400 μs max.	NX-ID3317	UC1, N, L, CE, RCM, KC		
				24 VDC		Input refreshing with input changed time only *			100 ns max./ 100 ns max.	NX-ID3343
				8 points	PNP		12 to 24 VDC		Switching Synchronous I/O refreshing and Free-Run refreshing	20 μs max./ 400 μs max.
						24 VDC	Input refreshing with input changed time only *			100 ns max./ 100 ns max.
		16 points	PNP	24 VDC	Switching Synchronous I/O refreshing and Free-Run refreshing	20 μs max./ 400 μs max.			NX-ID4342	
						20 μs max./ 400 μs max.	NX-ID4442			
						20 μs max./ 400 μs max.	NX-ID5342			
						20 μs max./ 400 μs max.	NX-ID5442			


\* To use input refreshing with input changed time, the NJ-series CPU Unit with unit version 1.06 or later, EtherCAT Coupler Unit with unit version 1.1 or later, and Sysmac Studio version 1.07 or higher are required.

#### ● DC Input Unit (M3 Screw Terminal Block, 30 mm Width)


Unit type	Product name	Specification					Model	Standards
		Number of points	Internal I/O common	Rated input voltage	I/O refreshing method	ON/OFF response time		
NX-series Digital Input Unit		16 points	For both NPN/PNP	24 VDC	Switching Synchronous I/O refreshing and Free-Run refreshing	20 μs max./ 400 μs max.	NX-ID5142-1	UC1, CE, RCM, KC




● DC Input Units (MIL Connector, 30 mm Width)

Unit type	Product name	Specification					Model	Standards
		Number of points	Internal I/O common	Rated input voltage	I/O refreshing method	ON/OFF response time		
NX-series Digital Input Unit		16 points	For both NPN/PNP	24 VDC	Switching Synchronous I/O refreshing and Free-Run refreshing	20 μs max./ 400 μs max.	NX-ID5142-5	UC1, N, CE, RCM, KC
		32 points						

● DC Input Unit (Fujitsu Connector, 30 mm Width)


Unit type	Product name	Specification					Model	Standards
		Number of points	Internal I/O common	Rated input voltage	I/O refreshing method	ON/OFF response time		
NX-series Digital Input Unit		32 points	For both NPN/PNP	24 VDC	Switching Synchronous I/O refreshing and Free-Run refreshing	20 μs max./ 400 μs max.	NX-ID6142-6	UC1, N, CE, RCM, KC

● AC Input Unit (Screwless Clamping Terminal Block, 12 mm Width)

Unit type	Product name	Specification				Model	Standards
		Number of points	Rated input voltage	I/O refreshing method	ON/OFF response time		
NX-series Digital Input Unit		4 points	200 to 240 VAC, 50/60 Hz (170 to 264 VAC, ±3 Hz)	Free-Run refreshing	10 ms max./ 40 ms max.	NX-IA3117	UC1, N, CE, RCM, KC


Digital Output Units

● Transistor Output Units (Screwless Clamping Terminal Block, 12 mm Width)


Unit type	Product name	Specification						Model	Standards	
		Number of points	Internal I/O common	Maximum value of load current	Rated voltage	I/O refreshing method	ON/OFF response time			
NX-series Digital Output Unit		2 points	NPN	0.5 A/point, 1 A/Unit	24 VDC	Output refreshing with specified time stamp only *	300 ns max./ 300 ns max.	NX-OD2154	UC1, N, L, CE, RCM, KC	
			PNP				0.1 ms max./ 0.8 ms max.	NX-OD2258		
		4 points	NPN	0.5 A/point, 2 A/Unit	24 VDC	Switching Synchronous I/O refreshing and Free-Run refreshing	300 ns max./ 300 ns max.	NX-OD3121		UC1, N, L, CE, RCM, KC
							PNP	0.5 ms max./ 1.0 ms max.		
			PNP				300 ns max./ 300 ns max.	NX-OD3256		
							0.5 ms max./ 1.0 ms max.	NX-OD3257		
		8 points	NPN	0.5 A/point, 4 A/Unit	24 VDC	Switching Synchronous I/O refreshing and Free-Run refreshing	0.5 ms max./ 1.0 ms max.	NX-OD3268		UC1, N, CE, RCM, KC
							PNP	0.1 ms max./ 0.8 ms max.		
			PNP				0.1 ms max./ 0.8 ms max.	NX-OD4256		
							0.5 ms max./ 1.0 ms max.	NX-OD5121		
16 points	PNP	0.5 A/point, 4 A/Unit	24 VDC	Switching Synchronous I/O refreshing and Free-Run refreshing	0.1 ms max./ 0.8 ms max.	NX-OD5121	UC1, N, L, CE, RCM, KC			
					0.5 ms max./ 1.0 ms max.	NX-OD5256				

\* To use output refreshing with specified time stamp, the NJ-series CPU Unit with unit version 1.06 or later, EtherCAT Coupler Unit with unit version 1.1 or later, and Sysmac Studio version 1.07 or higher are required.


● Transistor Output Units (M3 Screw Terminal Block, 30 mm Width)

Unit type	Product name	Specification						Model	Standards
		Number of points	Internal I/O common	Maximum value of load current	Rated voltage	I/O refreshing method	ON/OFF response time		
NX-series Digital Output Unit		16 points	NPN	0.5 A/point, 5 A/Unit	12 to 24 VDC	Switching Synchronous I/O refreshing and Free-Run refreshing	0.1 ms max./ 0.8 ms max.	NX-OD5121-1	UC1, N, CE, RCM, KC
			PNP				0.5 ms max./ 1.0 ms max.	NX-OD5256-1	

● Transistor Output Units (MIL Connector, 30 mm Width)

Unit type	Product name	Specification						Model	Standards
		Number of points	Internal I/O common	Maximum value of load current	Rated voltage	I/O refreshing method	ON/OFF response time		
NX-series Digital Output Unit		16 points	NPN	0.5 A/point, 2 A/Unit	12 to 24 VDC	Switching Synchronous I/O refreshing and Free-Run refreshing	0.1 ms max./ 0.8 ms max.	NX-OD5121-5	UC1, N, CE, RCM, KC
			PNP		24 VDC		0.5 ms max./ 1.0 ms max.	NX-OD5256-5	
		32 points	NPN	0.5 A/point, 2 A/common, 4 A/Unit	12 to 24 VDC	Switching Synchronous I/O refreshing and Free-Run refreshing	0.1 ms max./ 0.8 ms max.	NX-OD6121-5	
			PNP		24 VDC		0.5 ms max./ 1.0 ms max.	NX-OD6256-5	

● Transistor Output Unit (Fujitsu Connector, 30 mm Width)

Unit type	Product name	Specification						Model	Standards
		Number of points	Internal I/O common	Maximum value of load current	Rated voltage	I/O refreshing method	ON/OFF response time		
NX-series Digital Output Unit		32 points	NPN	0.5 A/point, 2 A/common, 4 A/Unit	12 to 24 VDC	Switching Synchronous I/O refreshing and Free-Run refreshing	0.1 ms max./ 0.8 ms max.	NX-OD6121-6	UC1, N, CE, RCM, KC



● Relay Output Units (Screwless Clamping Terminal Block, 12 mm Width)

Unit type	Product name	Specification					Model	Standards
		Number of points	Relay type	Maximum switching capacity	I/O refreshing method	ON/OFF response time		
NX-series Digital Output Unit	Relay Output Unit	2 points	N.O.	250 VAC/2 A (cosφ = 1), 250 VAC/2 A (cosφ = 0.4), 24 VDC/2 A, 4 A/Unit	Free-Run refreshing	15 ms max./ 15 ms max.	NX-OC2633	UC1, N, L, CE, RCM, KC
			N.O.+N.C.				NX-OC2733	UC1, N, CE, RCM, KC

● Relay Output Unit (Screwless Clamping Terminal Block, 24 mm Width)

Unit type	Product name	Specification					Model	Standards
		Number of points	Relay type	Maximum switching capacity	I/O refreshing method	ON/OFF response time		
NX-series Digital Output Unit	Relay Output Unit	8 points	N.O.	250 VAC/2 A (cosφ=1) 250 VAC/2 A (cosφ=0.4) 24 VDC/2 A 8 A/Unit	Free-Run refreshing	15 ms max./ 15 ms max.	NX-OC4633	UC1, CE, RCM, KC

Note: For details of connection patterns for I/O relay terminals, refer to the NX-series Digital I/O Units User's Manual (Cat. No. W521).

Digital Mixed I/O Units

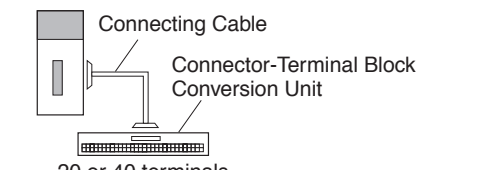
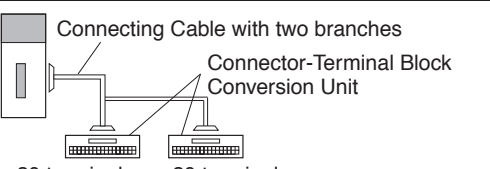
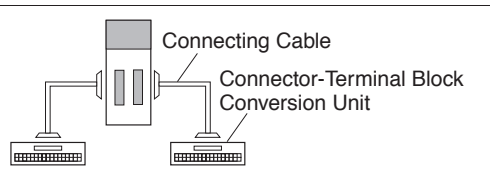
● DC Input/Transistor Output Units (MIL Connector, 30 mm Width)

Unit type	Product name	Specification					Model	Standards
		Number of points	Internal I/O common	Rated voltage	I/O refreshing method	ON/OFF response time		
NX-series Digital Mixed I/O Unit	DC Input/Transistor Output Unit	Outputs: 16 points Inputs: 16 points	Outputs: NPN Inputs: For both NPN/PNP	Outputs: 12 to 24 VDC Inputs: 24 VDC	Switching Synchronous I/O refreshing and Free-Run refreshing	Outputs: 0.1 ms max./ 0.8 ms max. Inputs: 20 μs max./ 400 μs max.	NX-MD6121-5	UC1, N, CE, RCM, KC
			Outputs: PNP Inputs: For both NPN/PNP	Outputs: 24 VDC Inputs: 24 VDC		Outputs: 0.5 ms max./ 1.0 ms max. Inputs: 20 μs max./ 400 μs max.	NX-MD6256-5	

● DC Input/Transistor Output Unit (Fujitsu Connector, 30 mm Width)

Unit type	Product name	Specification					Model	Standards
		Number of points	Internal I/O common	Rated voltage	I/O refreshing method	ON/OFF response time		
NX-series Digital Output Unit	DC Input/Transistor Output Unit	Outputs: 16 points Inputs: 16 points	Outputs: NPN Inputs: For both NPN/PNP	Outputs: 12 to 24 VDC Inputs: 24 VDC	Switching Synchronous I/O refreshing and Free-Run refreshing	Outputs: 0.1 ms max./ 0.8 ms max. Inputs: 20 μs max./ 400 μs max.	NX-MD6121-6	UC1, N, CE, RCM, KC

Connection Patterns for Connector-Terminal Block Conversion Units

Pattern	Configuration	Number of connectors	Branching
A		1	None
B		2	2 branches
C		2	None

Connections to Connector-Terminal Block Conversion Units

Unit	I/O capacity	Number of connectors	Polarity	Con-nection pattern	Number of branches	Connecting Cable	Connector-Terminal Block Conversion Unit	Common terminal
NX-ID5142-5	16 inputs	1 MIL connector	NPN/ PNP	A	None	XW2Z-□□□X	XW2B-20G4	None
				A	None	XW2Z-□□□X	XW2B-20G5	None
				A	None	XW2Z-□□□X	XW2D-20G6	None
				A	None	XW2Z-□□□X	XW2R-J20G-T	None
NX-ID6142-5	32 inputs	1 MIL connector	NPN/ PNP	A	None	XW2Z-□□□K	XW2B-40G4	None
				A	None	XW2Z-□□□K	XW2B-40G5	None
				A	None	XW2Z-□□□K	XW2D-40G6	None
				A	None	XW2Z-□□□K	XW2D-40G6-RM * 1	None
				A	None	XW2Z-□□□K	XW2R-J40G-T	None
				B	2	XW2Z-□□□N	XW2B-20G4 (2 Units)	None
				B	2	XW2Z-□□□N	XW2B-20G5 (2 Units)	None
				B	2	XW2Z-□□□N	XW2C-20G5-IN16 (2 Units) * 2	Yes
				B	2	XW2Z-□□□N	XW2C-20G6-IO16 (2 Units)	Yes
				B	2	XW2Z-□□□N	XW2D-20G6 (2 Units)	None
				B	2	XW2Z-□□□N	XW2E-20G5-IN16 (2 Units) * 2	Yes
				B	2	XW2Z-□□□N	XW2F-20G7-IN16 (2 Units) * 2	Yes
				B	2	XW2Z-□□□N	XW2N-20G8-IN16 (2 Units) * 2	Yes
				B	2	XW2Z-□□□N	XW2R-J20G-T (2 Units)	None
NX-ID6142-6	32 inputs	1 Fujitsu connector	NPN/ PNP	A	None	XW2Z-□□□B	XW2B-40G4	None
				A	None	XW2Z-□□□B	XW2B-40G5	None
				A	None	XW2Z-□□□B	XW2D-40G6	None
				A	None	XW2Z-□□□B	XW2D-40G6-RF * 1	None
				A	None	XW2Z-□□□B	XW2R-J40G-T	None
				A	None	XW2Z-□□□BU	XW2D-40C6	None
				B	2	XW2Z-□□□D	XW2B-20G4 (2 Units)	None
				B	2	XW2Z-□□□D	XW2B-20G5 (2 Units)	None
				B	2	XW2Z-□□□D	XW2C-20G5-IN16 (2 Units) * 2	Yes
				B	2	XW2Z-□□□D	XW2C-20G6-IO16 (2 Units)	Yes
				B	2	XW2Z-□□□D	XW2D-20G6 (2 Units)	None
				B	2	XW2Z-□□□D	XW2E-20G5-IN16 (2 Units) * 2	Yes
				B	2	XW2Z-□□□D	XW2F-20G7-IN16 (2 Units) * 2	Yes
				B	2	XW2Z-□□□D	XW2N-20G8-IN16 (2 Units) * 2	Yes
B	2	XW2Z-□□□D	XW2R-J20G-T (2 Units)	None				

\*1. Bleeder resistor (5.6 kΩ) is built in.

\*2. The inputs are NPN. For PNP inputs, reverse the polarity of the external power supply connections to the power supply terminals on the Connector-Terminal Block Conversion Unit.



Slave Terminals NX Series

Unit	I/O capacity	Number of connectors	Polarity	Con- nection pattern	Number of branches	Connecting Cable	Connector-Terminal Block Conversion Unit	Common terminal				
NX-OD5121-5	16 outputs	1 MIL connector	NPN	A	None	XW2Z-□□□X	XW2B-20G4	None				
				A	None	XW2Z-□□□X	XW2B-20G5	None				
				A	None	XW2Z-□□□X	XW2D-20G6	None				
				A	None	XW2Z-□□□X	XW2R-J20G-T	None				
NX-OD5256-5	16 outputs	1 MIL connector	PNP	A	None	XW2Z-□□□X	XW2B-20G4	None				
				A	None	XW2Z-□□□X	XW2B-20G5	None				
				A	None	XW2Z-□□□X	XW2D-20G6	None				
				A	None	XW2Z-□□□X	XW2R-J20G-T	None				
NX-OD6121-5	32 outputs	1 MIL connector	NPN	A	None	XW2Z-□□□K	XW2B-40G4	None				
				A	None	XW2Z-□□□K	XW2B-40G5	None				
				A	None	XW2Z-□□□K	XW2D-40G6	None				
				A	None	XW2Z-□□□K	XW2R-J40G-T	None				
				B	2	XW2Z-□□□N	XW2B-20G4 (2 Units)	None				
				B	2	XW2Z-□□□N	XW2B-20G5 (2 Units)	None				
				B	2	XW2Z-□□□N	XW2C-20G6-IO16 (2 Units)	Yes				
				B	2	XW2Z-□□□N	XW2D-20G6 (2 Units)	None				
				B	2	XW2Z-□□□N	XW2F-20G7-OUT16 (2 Units)	Yes				
				B	2	XW2Z-□□□N	XW2R-J20G-T (2 Units)	None				
				NX-OD6121-6	32 outputs	1 Fujitsu connector	NPN	A	None	XW2Z-□□□B	XW2B-40G4	None
								A	None	XW2Z-□□□B	XW2B-40G5	None
A	None	XW2Z-□□□B	XW2D-40G6					None				
A	None	XW2Z-□□□B	XW2R-J40G-T					None				
A	None	XW2Z-□□□BU	XW2D-40C6					None				
B	2	XW2Z-□□□L	XW2B-20G4 (2 Units)					None				
B	2	XW2Z-□□□L	XW2B-20G5 (2 Units)					None				
B	2	XW2Z-□□□L	XW2C-20G6-IO16 (2 Units)					Yes				
B	2	XW2Z-□□□L	XW2D-20G6 (2 Units)					None				
B	2	XW2Z-□□□L	XW2F-20G7-OUT16 (2 Units)					Yes				
B	2	XW2Z-□□□L	XW2R-J20G-T (2 Units)					None				
NX-OD6256-5	32 outputs	1 MIL connector	PNP					A	None	XW2Z-□□□K	XW2B-40G4	None
				A	None	XW2Z-□□□K	XW2B-40G5	None				
				A	None	XW2Z-□□□K	XW2D-40G6	None				
				A	None	XW2Z-□□□K	XW2R-J40G-T	None				
				B	2	XW2Z-□□□N	XW2B-20G4 (2 Units)	None				
				B	2	XW2Z-□□□N	XW2B-20G5 (2 Units)	None				
				B	2	XW2Z-□□□N	XW2C-20G6-IO16 (2 Units)	Yes				
				B	2	XW2Z-□□□N	XW2D-20G6 (2 Units)	None				
				B	2	XW2Z-□□□N	XW2F-20G7-OUT16 (2 Units)	Yes				
				B	2	XW2Z-□□□N	XW2R-J20G-T (2 Units)	None				
				NX-MD6121-5	16 inputs	1 MIL connector	NPN/ PNP	C	None	XW2Z-□□□X	XW2B-20G4	None
								C	None	XW2Z-□□□X	XW2B-20G5	None
C	None	XW2Z-□□□X	XW2D-20G6					None				
C	None	XW2Z-□□□X	XW2R-J20G-T					None				
16 outputs	1 MIL connector	NPN	C		None	XW2Z-□□□X	XW2B-20G4	None				
			C		None	XW2Z-□□□X	XW2B-20G5	None				
			C		None	XW2Z-□□□X	XW2D-20G6	None				
			C		None	XW2Z-□□□X	XW2R-J20G-T	None				



Slave Terminals NX Series

Unit	I/O capacity	Number of connectors	Polarity	Con- nection pattern	Number of branches	Connecting Cable	Connector-Terminal Block Conversion Unit	Common terminal			
NX-MD6121-6	16 inputs	1 Fujitsu connector	NPN/ PNP	C	None	XW2Z-□□□A	XW2B-20G4	None			
				C	None	XW2Z-□□□A	XW2B-20G5	None			
				C	None	XW2Z-□□□A	XW2C-20G5-IO16 *	Yes			
				C	None	XW2Z-□□□A	XW2C-20G6-IO16	Yes			
				C	None	XW2Z-□□□A	XW2D-20G6	None			
				C	None	XW2Z-□□□A	XW2E-20G5-IO16 *	Yes			
				C	None	XW2Z-□□□A	XW2F-20G7-IO16 *	Yes			
				C	None	XW2Z-□□□A	XW2N-20G8-IO16 *	Yes			
	16 outputs	1 Fujitsu connector	NPN	C	None	XW2Z-□□□A	XW2B-20G4	None			
				C	None	XW2Z-□□□A	XW2B-20G5	None			
				C	None	XW2Z-□□□A	XW2C-20G6-IO16	Yes			
				C	None	XW2Z-□□□A	XW2D-20G6	None			
				C	None	XW2Z-□□□A	XW2F-20G7-OUT16	Yes			
				C	None	XW2Z-□□□A	XW2R-J20G-T	None			
				16 inputs	1 MIL connector	NPN/ PNP	C	None	XW2Z-□□□X	XW2B-20G4	None
							C	None	XW2Z-□□□X	XW2B-20G5	None
C	None	XW2Z-□□□X	XW2D-20G6				None				
C	None	XW2Z-□□□X	XW2R-J20G-T				None				
16 outputs	1 MIL connector	PNP	C				None	XW2Z-□□□X	XW2B-20G4	None	
			C				None	XW2Z-□□□X	XW2B-20G5	None	
			C				None	XW2Z-□□□X	XW2D-20G6	None	
			C				None	XW2Z-□□□X	XW2R-J20G-T	None	



\* The inputs are NPN. For PNP inputs, reverse the polarity of the external power supply connections to the power supply terminals on the Connector-Terminal Block Conversion Unit.





Analog Input Units

Unit type	Product name	Specification									Model	Standards
		Number of points	Input range	Resolution	Conversion value, decimal number (0 to 100%)	Over all accuracy (25°C)	Input method	Conversion time	Input impedance	I/O refreshing method		
NX-series Analog Input Unit	Voltage Input type 	2 points	-10 to +10 V	1/8000	-4000 to 4000	±0.2% (full scale)	Single-ended input	250 μs/point	Free-Run refreshing	NX-AD2603	UC1, N, L, CE, RCM, KC	
					Differential input	NX-AD2604						
				1/30000	-15000 to 15000	±0.1% (full scale)	Differential input	10 μs/point	Selectable Synchronous I/O refreshing or Free-Run refreshing	NX-AD2608		
					1/8000	-4000 to 4000	±0.2% (full scale)					Single-ended input
		Differential input		NX-AD3604								
		4 points		1/30000	-15000 to 15000	±0.1% (full scale)	Differential input	10 μs/point	Selectable Synchronous I/O refreshing or Free-Run refreshing	NX-AD3608		
					1/8000	-4000 to 4000	±0.2% (full scale)					Single-ended input
				Differential input	NX-AD4604							
	8 points		1/30000	-15000 to 15000	±0.1% (full scale)	Differential input	10 μs/point	Selectable Synchronous I/O refreshing or Free-Run refreshing	NX-AD4608			
		1/8000		-4000 to 4000	±0.2% (full scale)	Single-ended input				250 μs/point		Free-Run refreshing
	Differential input	NX-AD4608										
	Current Input type 	4 to 20 mA	2 points	4 to 20 mA	1/8000	0 to 8000	±0.2% (full scale)	Single-ended input	250 μs/point	Free-Run refreshing		NX-AD2203
						Differential input	NX-AD2204					
					1/30000	0 to 30000	±0.1% (full scale)	Differential input	10 μs/point	Selectable Synchronous I/O refreshing or Free-Run refreshing		NX-AD2208
						1/8000	0 to 8000	±0.2% (full scale)				
					Differential input	NX-AD3204						
1/30000					0 to 30000	±0.1% (full scale)	Differential input	10 μs/point	Selectable Synchronous I/O refreshing or Free-Run refreshing	NX-AD3208		
			1/8000		0 to 8000	±0.2% (full scale)	Single-ended input				250 μs/point	Free-Run refreshing
Differential input			NX-AD4204									
8 points			1/30000		0 to 30000	±0.1% (full scale)	Differential input	10 μs/point	Selectable Synchronous I/O refreshing or Free-Run refreshing	NX-AD4208		
					1/8000	0 to 8000	±0.2% (full scale)				Single-ended input	250 μs/point
			Differential input		NX-AD4208							

Analog Output Units

Unit type	Product name	Specification							Model	Standards	
		Number of points	Input range	Resolution	Output setting value, decimal number (0 to 100%)	Over all accuracy (25°C)	Conversion time	I/O refreshing method			
NX-series Analog Output Unit	Voltage Output type 	2 points	-10 to +10 V	1/8000	-4000 to 4000	±0.3% (full scale)	250 μs/point	Free-Run refreshing	NX-DA2603	UC1, N, L, CE, RCM, KC	
				1/30000	-15000 to 15000	±0.1% (full scale)	10 μs/point	Selectable Synchronous I/O refreshing or Free-Run refreshing	NX-DA2605		
		4 points		1/8000	-4000 to 4000	±0.3% (full scale)	250 μs/point	Free-Run refreshing	NX-DA3603		
				1/30000	-15000 to 15000	±0.1% (full scale)	10 μs/point	Selectable Synchronous I/O refreshing or Free-Run refreshing	NX-DA3605		
	Current Output type 	2 points		4 to 20 mA	1/8000	0 to 8000	±0.3% (full scale)	250 μs/point	Free-Run refreshing		NX-DA2203
					1/30000	0 to 30000	±0.1% (full scale)	10 μs/point	Selectable Synchronous I/O refreshing or Free-Run refreshing		NX-DA2205
		4 points			1/8000	0 to 8000	±0.3% (full scale)	250 μs/point	Free-Run refreshing		NX-DA3203
					1/30000	0 to 30000	±0.1% (full scale)	10 μs/point	Selectable Synchronous I/O refreshing or Free-Run refreshing		NX-DA3205

Temperature Input Units

Unit type	Product name	Specification							Model	Standards	
		Number of points	Input type	Resolution (25°C)	Over all accuracy (25°C)	Conversion time	I/O refreshing method	Terminals			
NX-series Temperature Input Unit	Thermocouple Input type 	2 points	Thermocouple	0.1°C max. * 1	Refer to the Reference accuracy and temperature coefficient according to the input type and measurement temperature of NX-series Temperature Input Unit in the Sysmac Integrated Catalog (Cat. No. P072).	250 ms/Unit	Free-Run refreshing	16 Terminals	NX-TS2101	UC1, N, L, CE, RCM, KC	
		4 points						16 Terminals x 2	NX-TS3101		
		2 points		0.01°C max.				10 ms/Unit	16 Terminals		NX-TS2102
		4 points							16 Terminals x 2		NX-TS3102
		2 points		0.001°C max.				60 ms/Unit	16 Terminals		NX-TS2104
		4 points							16 Terminals x 2		NX-TS3104
	Resistance Thermometer Input type 	2 points	Resistance Thermometer (Pt100/Pt1000, three-wire) * 2	0.1°C max.		250 ms/Unit	Free-Run refreshing	16 Terminals	NX-TS2201		
		4 points						16 Terminals x 2	NX-TS3201		
		2 points		0.01°C max.				10 ms/Unit	16 Terminals		NX-TS2202
		4 points							16 Terminals x 2		NX-TS3202
		2 points		0.001°C max.				60 ms/Unit	16 Terminals		NX-TS2204
		4 points							16 Terminals x 2		NX-TS3204

\*1. The resolution is 0.2°C max. when the input type is R, S, or W.  
 \*2. The NX-TS2202 and NX-TS3202 only support Pt100 three-wire sensor.

### Heater Burnout Detection Units

Unit type	Product name	Specification							Model	Standards
		CT input section		Control output section						
		Number of inputs	Maximum heater current	Number of outputs	Internal I/O common	Maximum load current	Rated voltage	I/O refreshing method		
NX-series Heater Burnout Detection Unit	Heater Burnout Detection Unit	4	50 A AC	4	NPN	0.1 A/point, 0.4 A/Unit	12 to 24 VDC	Free-Run refreshing	NX-HB3101	UC1, CE, RCM, KC
	PNP				24 VDC		NX-HB3201			

### Optional Products

Product name	Specification	Model	Standards
Current Transformer (CT)	Hole diameter: 5.8 mm	E54-CT1	---
	Hole diameter: 12.0 mm	E54-CT3	---

### Load Cell Input Unit

Unit type	Product name	Specification					Model	Standards
		Number of points	Conversion cycle	I/O refreshing method *	Load cell excitation voltage	Input range		
NX-series Load Cell Input Unit	Load Cell Input Unit	1	125 μs	<ul style="list-style-type: none"> <li>Free-Run refreshing</li> <li>Synchronous I/O refreshing</li> <li>Task period prioritized refreshing</li> </ul>	5 VDC ± 10%	-5.0 to 5.0 mV/V	NX-RS1201	UC1, CE, RCM, KC

\* Refer to the I/O Refreshing in the NX-series Load Cell Input Unit User's Manual (Cat. No. W565) for detailed information on I/O refresh cycle.  
**Note:** The NX-RS1201-K Load Cell Input Unit with the test and calibration certificate is also available. Ask your OMRON representative for details.

### Position Interface Units

#### ● Incremental Encoder Input Units

Unit type	Product name	Specification						Model	Standards
		Number of channels	External inputs	Maximum response frequency	I/O refreshing method	Number of I/O entry mappings	Remarks		
NX-series Position Interface Unit	Incremental Encoder Input Unit	1 (NPN)	3 (NPN)	500 kHz	<ul style="list-style-type: none"> <li>Free-Run refreshing</li> <li>Synchronous I/O refreshing</li> </ul>	1/1	24-V voltage input	NX-EC0112	UC1, N, CE, RCM, KC
		1 (PNP)	3 (PNP)						
		1	3 (NPN)	4 MHz			Line receiver input	NX-EC0132	
			3 (PNP)					NX-EC0142	
		2 (NPN)	None	500 kHz			24-V voltage input	NX-EC0212	
		2 (PNP)	None					NX-EC0222	

#### ● SSI Input Units

Unit type	Product name	Specification					Model	Standards
		Number of channels	Input/Output form	Maximum data length	Encoder power supply	Type of external connections		
NX-series Position Interface Unit	SSI Input Unit	1	EIA standard RS-422-A	32 bits	24 VDC, 0.3 A/CH	Screwless push-in terminal block (12 terminals)	NX-ECS112	UC1, N, L, CE, RCM, KC
		2	EIA standard RS-422-A	32 bits	24 VDC, 0.3 A/CH	Screwless push-in terminal block (12 terminals)	NX-ECS212	


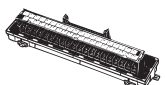





### ● Pulse Output Units

Unit type	Product name	Specification							Model	Standards
		Number of channels * 1	External inputs	External outputs	Maximum pulse output speed	I/O refreshing method	Number of I/O entry mappings	Control output interface		
NX-series Position Interface Unit	Pulse Output Unit	1 (NPN)	2 (NPN)	1 (NPN)	500 kpps	<ul style="list-style-type: none"> <li>Synchronous I/O refreshing</li> <li>Task period prioritized refreshing * 2</li> </ul>	1/1	Open collector output	NX-PG0112	UC1, N, CE, RCM, KC
		1 (PNP)	2 (PNP)	1 (PNP)						
		2	5 inputs/CH (NPN)	3 outputs/CH (NPN)	4 Mpps		2/2	Line driver output	NX-PG0232-5	UC1, CE, RCM, KC
			5 inputs/CH (PNP)	3 outputs/CH (PNP)						
		4	5 inputs/CH (NPN)	3 outputs/CH (NPN)	4/4			NX-PG0332-5		
			5 inputs/CH (PNP)	3 outputs/CH (PNP)				NX-PG0342-5		

\*1. This is the number of pulse output channels.

\*2. Unit version 1.2 or later and an NX-ECC203 EtherCAT Coupler Unit are required.

### Cables and Connectors for Line Driver Output Units with MIL Connectors

Product name	Specifications	Model	Standards	
Connector-Terminal Block Conversion Unit	Flat Cable Connectors type (Terminal block with M3 screws) 34 terminals		XW2B-34G4	---
	Flat Cable Connectors type (Terminal block with M3.5 screws) 34 terminals		XW2B-34G5	---
	MIL Connectors type (Slim Connector) 34 terminals		XW2D-34G6	---
	MIL Connectors type (Phillips screw) 34 terminals		XW2R-J34GD-T	---
	MIL Connectors type (Slotted screw (rise up)) 34 terminals		XW2R-E34GD-T	---
	MIL Connectors type (Push-in spring) 34 terminals		XW2R-P34GD-T	---
Cable for Connector-Terminal Block Conversion Unit	34-terminal MIL Connector to 34-terminal MIL Connector		Cable length: 0.5 m	XW2Z-050EE
		Cable length: 1 m	XW2Z-100EE	
		Cable length: 1.5 m	XW2Z-150EE	
		Cable length: 2 m	XW2Z-200EE	
		Cable length: 3 m	XW2Z-300EE	
		Cable length: 5 m	XW2Z-500EE	


**Note:** Each of NX-PG0232-5 and NX-PG0242-5 has one MIL connector. Therefore, one Connector-Terminal Block Conversion Unit is required.  
 Each of NX-PG0332-5 and NX-PG0342-5 has two MIL connectors. Therefore, two Connector-Terminal Block Conversion Units are required.

### Communications Interface Units

Unit type	Product name	Serial interface	External connection terminals	Number of serial ports	Communications function	Model	Standards
NX-series Communications Interface Unit	Communications Interface Unit	RS-232C	Screwless clamping terminal block	1 port	<ul style="list-style-type: none"> <li>No-protocol serial communications</li> <li>Serial line monitor</li> </ul>	NX-CIF101	UL, CE, RCM, KC
		RS-422A/485					
		RS-232C	D-Sub connector	2 ports		NX-CIF210	




**IO-Link Master Unit**

Unit type	Product name	Specification			Model	Standards
		Number of IO-Link ports	I/O refreshing method	I/O connection terminals		
NX-series IO-Link Master Unit		4	Free-Run refreshing	Screwless clamping terminal block	NX-ILM400	UC1, CE, RCM, KC


Note: For details of IO-Link sensors and sensor I/O connectors, refer to the *IO-Link Series Catalog* (Cat. No. Y212).

**System Units**

● **Additional NX Unit Power Supply Unit**


Unit type	Product name	Power supply voltage	NX bus power supply capacity	Model	Standards
NX-series System Unit		24 VDC (20.4 to 28.8 VDC)	10 W max.	NX-PD1000	UC1, N, L, CE, RCM, KC

● **Additional I/O Power Supply Units**


Unit type	Product name	Power supply voltage	I/O power feed maximum current	Model	Standards
NX-series System Unit		5 to 24 VDC (4.5 to 28.8 VDC)	4 A	NX-PF0630	UC1, N, L, CE, RCM, KC
			10 A *	NX-PF0730	

\* Use the NX-PF0730 at 4 A or less on the CPU Rack where the NX1P2 CPU Unit is mounted.

● **I/O Power Supply Connection Units**

Unit type	Product name	Number of I/O power terminals	Current capacity of I/O power terminal	Model	Standards
NX-series System Unit		IOG: 16 terminals	4 A/terminal max.	NX-PC0010	UC1, N, L, CE, RCM, KC
		IOV: 16 terminals	4 A/terminal max.	NX-PC0020	UC1, N, L, CE, RCM, KC
		IOV: 8 terminals IOG: 8 terminals	4 A/terminal max.	NX-PC0030	UC1, N, L, CE, RCM, KC

● **Shield Connection Unit**

Unit type	Product name	Number of shield terminals	Model	Standards
NX-series System Unit		14 terminals (The two lower terminals are functional ground terminals.)	NX-TBX01	UC1, N, L, CE, RCM, KC



**Optional Products and Maintenance Products**

Product name	Specification	Model	Standards
Unit/Terminal Block Coding Pins	For 10 Units (Terminal Block: 30 pins, Unit: 30 pins)	NX-AUX02	---
End Cover	One End Cover is provided as a standard accessory with the Communication Coupler Unit.	NX-END01	---
DIN Track Insulation Spacer	A Spacer to insulate the control panel from the DIN Track. To insulate the Slave Terminal from the control panel, use Din Track Insulation Spacers.	NX-AUX01	---

Product name	Specification				Model	Standards
	No. of terminals	Terminal number indications	Ground terminal mark	Terminal current capacity		
Terminal Block	8	A/B	None	10 A	NX-TBA082	---
	12	A/B			NX-TBA122	
	16	A/B			NX-TBA162	
	12	C/D			NX-TBB122	
	16	C/D	NX-TBB162			
	8	A/B	Provided		NX-TBC082	
	16	A/B	NX-TBC162			



## Ordering Information

### Safety CPU Units

Unit type	Appearance	Specification					Model
		Maximum number of safety I/O points	Program capacity	Number of safety master connections	I/O refreshing method	Unit version	
Safety CPU Unit		256 points	512 KB	32	Free-Run refreshing	Ver.1.1	<b>NX-SL3300</b>
		1024 points	2048 KB	128	Free-Run refreshing	Ver.1.1	<b>NX-SL3500</b>



**Note:** Connect the Safety CPU Unit to the NX1P2 CPU Unit via the EtherCAT Coupler Unit.

### Safety Input Units

Unit type	Appearance	Specification								Model
		Number of safety input points	Number of test output points	Internal I/O common	Rated input voltage	OMRON special safety input devices	Number of safety slave connections	I/O refreshing method	Unit version	
Safety Input Unit		4 points	2 points	Sinking inputs (PNP)	24 VDC	Can be connected.	1	Free-Run refreshing	Ver.1.1	<b>NX-SIH400</b>
		8 points	2 points	Sinking inputs (PNP)	24 VDC	Cannot be connected.	1	Free-Run refreshing	Ver.1.0	<b>NX-SID800</b>

**Note:** Connect the Safety Input Unit to the NX1P2 CPU Unit via the EtherCAT Coupler Unit.

### Safety Output Units

Unit type	Appearance	Specification							Model
		Number of safety output points	Internal I/O common	Maximum load current	Rated voltage	Number of safety slave connections	I/O refreshing method	Unit version	
Safety Output Unit		2 points	Sourcing outputs (PNP)	2.0 A/point, 4.0 A/Unit at 40°C, and 2.5 A/Unit at 55°C The maximum load current depends on the installation orientation and ambient temperature.	24 VDC	1	Free-Run refreshing	Ver.1.0	<b>NX-SOH200</b>
		4 points	Sourcing outputs (PNP)	0.5 A/point and 2.0 A/Unit	24 VDC	1	Free-Run refreshing	Ver.1.0	<b>NX-SOD400</b>

**Note:** Connect the Safety Output Unit to the NX1P2 CPU Unit via the EtherCAT Coupler Unit.

## Optional Products

Product Name	Specification	Model
Unit/Terminal Block Coding Pins	For 10 Units (Terminal Block: 30 pins, Unit: 30 pins)	<b>NX-AUX02</b>

Product name	Specification				Model
	No. of terminals	Terminal number indications	Ground terminal mark	Terminal current capacity	
Terminal Block	8	A/B	None	10 A	<b>NX-TBA082</b>
	16	A/B	None	10 A	<b>NX-TBA162</b>



**OMRON AUTOMATION AMERICAS HEADQUARTERS** • Chicago, IL USA • 847.843.7900 • 800.556.6766 • [www.omron247.com](http://www.omron247.com)

**OMRON CANADA, INC. • HEAD OFFICE**

Toronto, ON, Canada • 416.286.6465 • 866.986.6766 • [www.omron247.com](http://www.omron247.com)

**OMRON ELECTRONICS DE MEXICO • HEAD OFFICE**

México DF • 52.55.59.01.43.00 • 01-800-226-6766 • [mela@omron.com](mailto:mela@omron.com)

**OMRON ELECTRONICS DE MEXICO • SALES OFFICE**

Apodaca, N.L. • 52.81.11.56.99.20 • 01-800-226-6766 • [mela@omron.com](mailto:mela@omron.com)

**OMRON ELETRÔNICA DO BRASIL LTDA • HEAD OFFICE**

São Paulo, SP, Brasil • 55.11.2101.6300 • [www.omron.com.br](http://www.omron.com.br)

**OMRON ARGENTINA • SALES OFFICE**

Cono Sur • 54.11.4783.5300

**OMRON CHILE • SALES OFFICE**

Santiago • 56.9.9917.3920

**OTHER OMRON LATIN AMERICA SALES**

54.11.4783.5300

**OMRON EUROPE B.V.** • Wegalaan 67-69, NL-2132 JD, Hoofddorp, The Netherlands. • +31 (0) 23 568 13 00 • [www.industrial.omron.eu](http://www.industrial.omron.eu)

*Authorized Distributor:*

**Controllers & I/O**

- Machine Automation Controllers (MAC) • Motion Controllers
- Programmable Logic Controllers (PLC) • Temperature Controllers • Remote I/O

**Robotics**

- Industrial Robots • Mobile Robots

**Operator Interfaces**

- Human Machine Interface (HMI)

**Motion & Drives**

- Machine Automation Controllers (MAC) • Motion Controllers • Servo Systems
- Frequency Inverters

**Vision, Measurement & Identification**

- Vision Sensors & Systems • Measurement Sensors • Auto Identification Systems

**Sensing**

- Photoelectric Sensors • Fiber-Optic Sensors • Proximity Sensors
- Rotary Encoders • Ultrasonic Sensors

**Safety**

- Safety Light Curtains • Safety Laser Scanners • Programmable Safety Systems
- Safety Mats and Edges • Safety Door Switches • Emergency Stop Devices
- Safety Switches & Operator Controls • Safety Monitoring/Force-guided Relays

**Control Components**

- Power Supplies • Timers • Counters • Programmable Relays
- Digital Panel Meters • Monitoring Products

**Switches & Relays**

- Limit Switches • Pushbutton Switches • Electromechanical Relays
- Solid State Relays

**Software**

- Programming & Configuration • Runtime