

**MATERIALS AND FINISHES:**

**BODY: STAINLESS STEEL  
PASSIVATE**

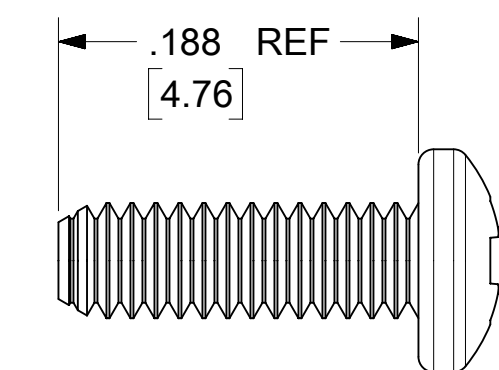
**CENTER CONTACT: BERYLLIUM COPPER  
PLATED: GOLD (30µ-in MIN)  
OVER NICKEL (100µ-in MIN)**

**INSULATOR: PTFE**

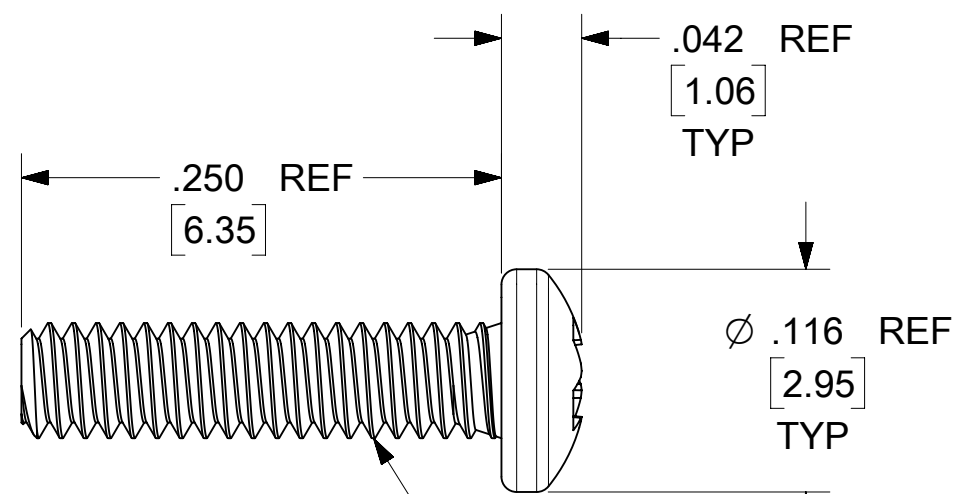
**SCREW: STEEL  
PASSIVATE**

1.85MM JACK  
INTERFACE

M7 X 0.75-6g

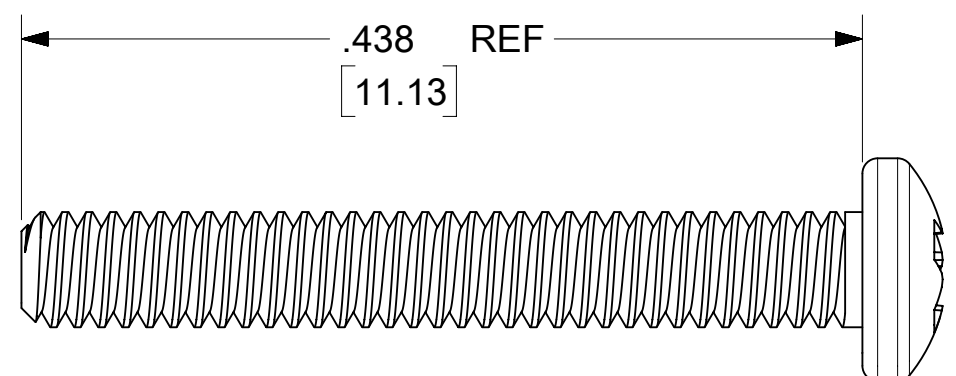


FOR -0001

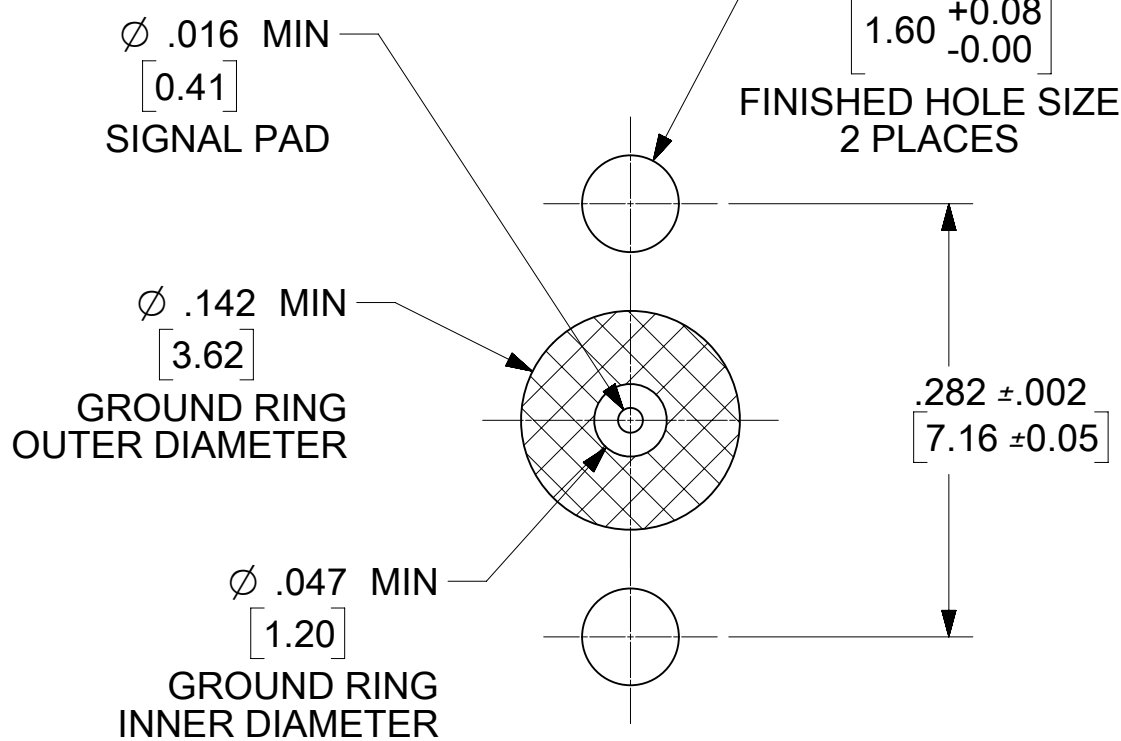
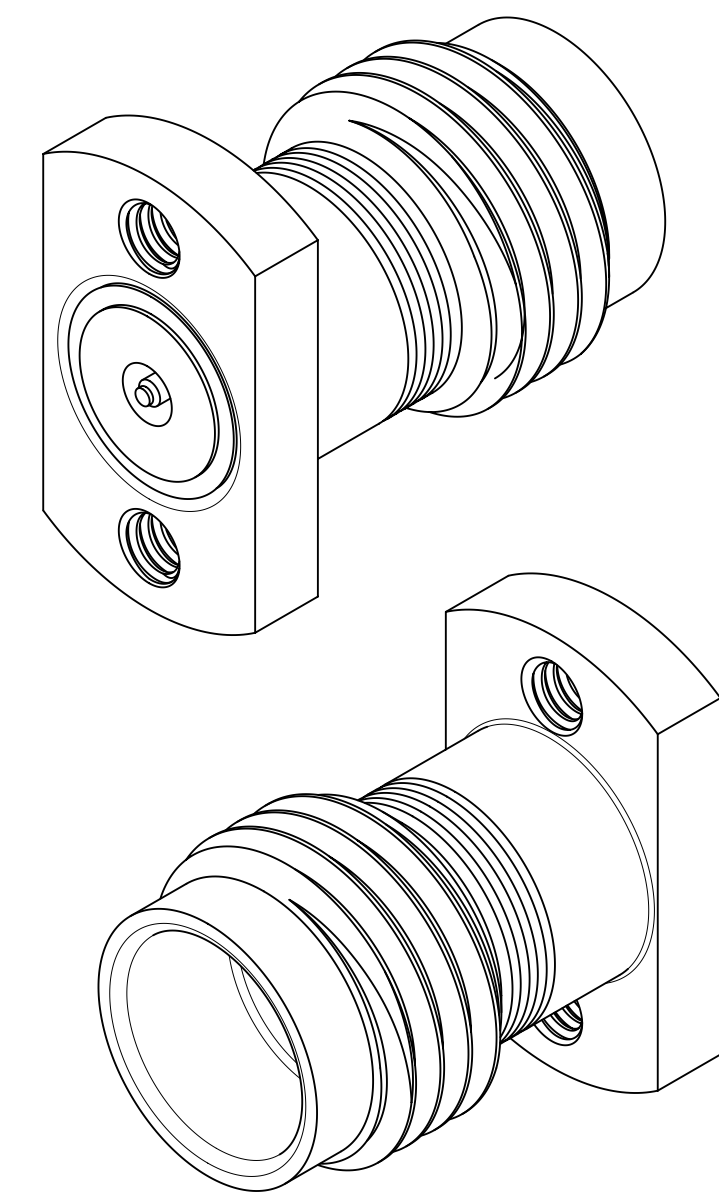
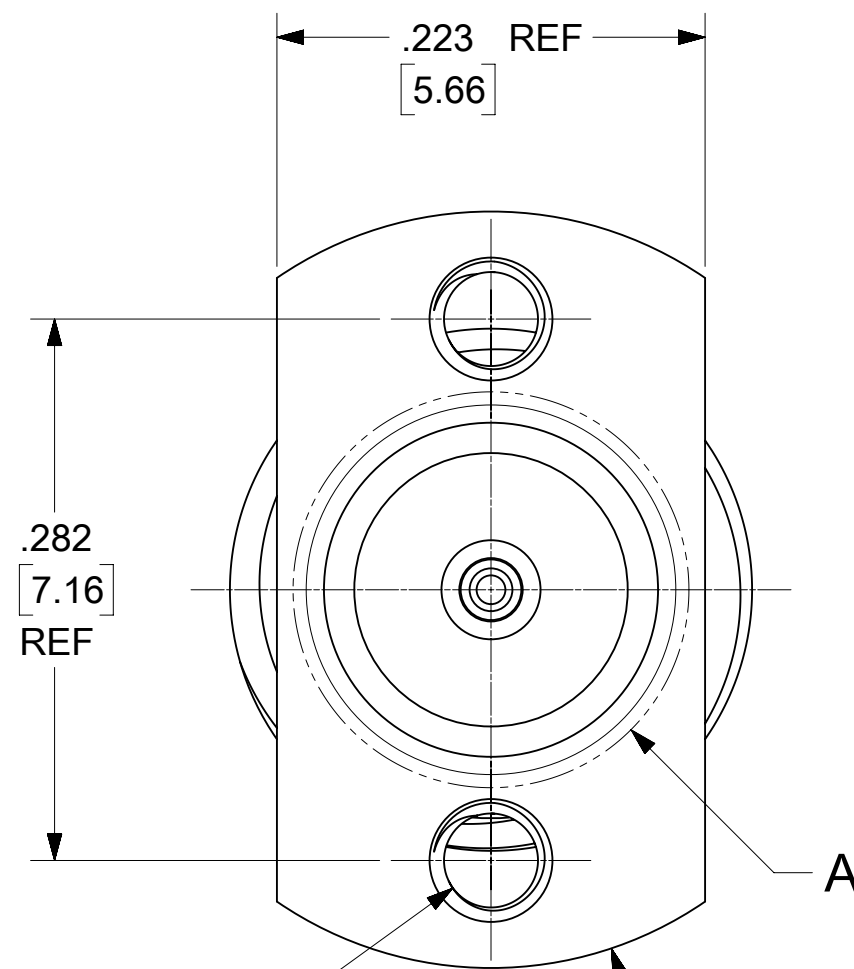
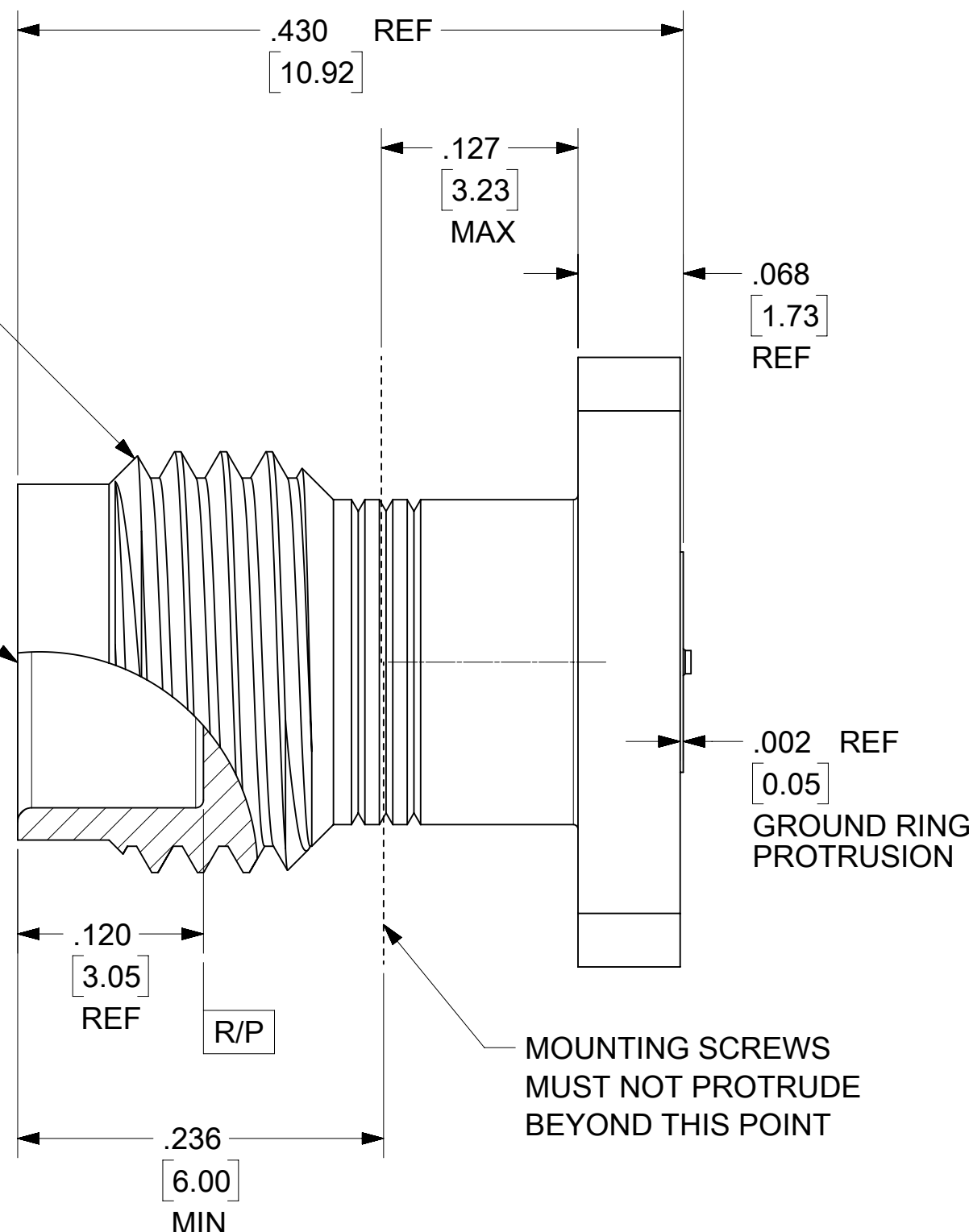


FOR -0002

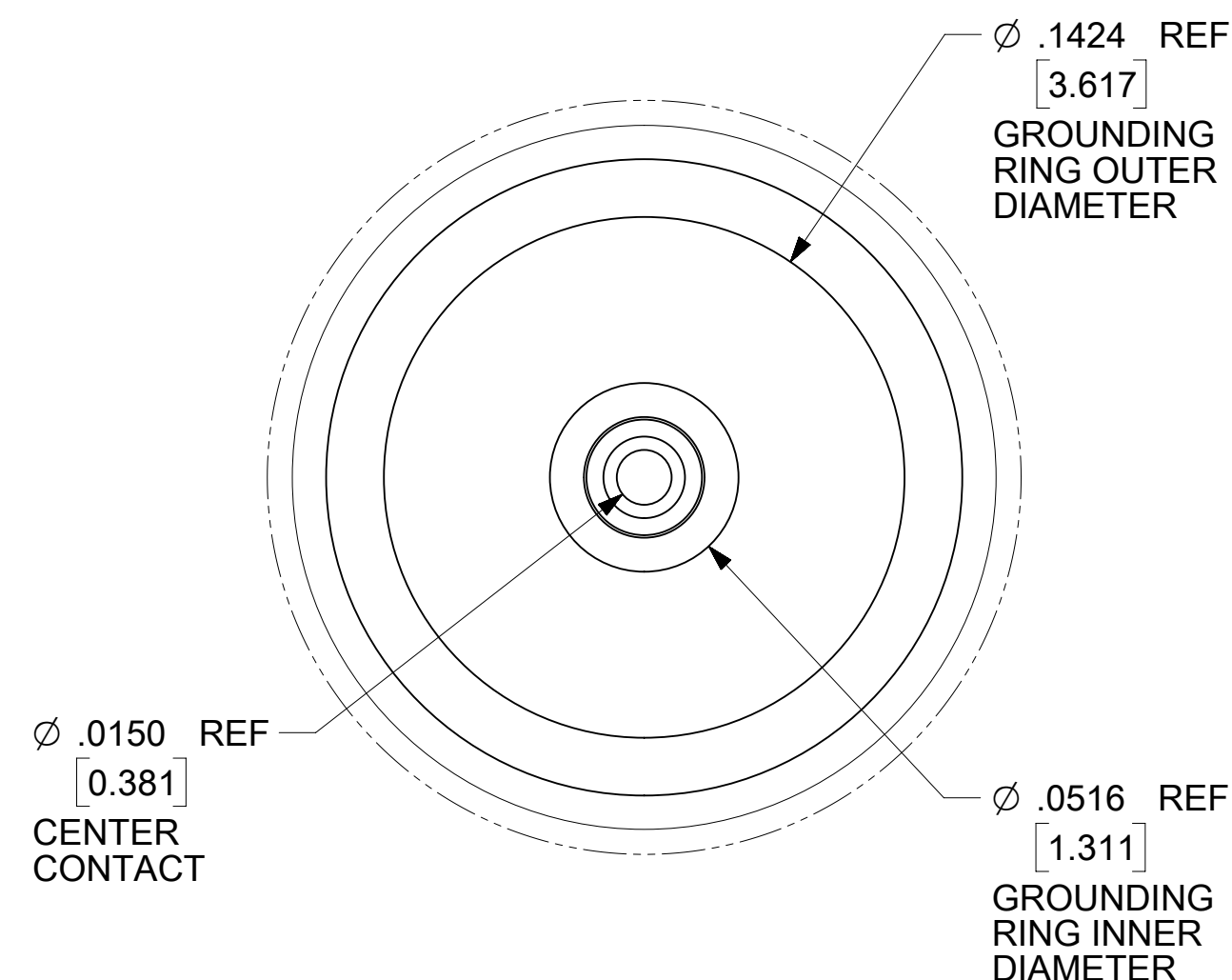
#0-80 UNF-2A THREAD TYP  
TORQUE TO 0.5 - 0.8 IN-LBS



FOR -0003



GENERAL PCB LAYOUT RECOMMENDATIONS  
FOR OPTIMIZED LAYOUTS CONTACT MOLEX ENGINEERING



DETAIL A

73157-0003	WITH TWO .438 [11.13] SCREWS	.252 [6.40] TO .352 [8.94]
73157-0002	WITH TWO .250 [6.35] SCREWS	.077 [1.96] TO .157 [3.99]
73157-0001	WITH TWO .188 [4.76] SCREWS	.022 [0.56] TO .100 [2.54]
73157-0000	NO HARDWARE	N/A
PART NO.	DESCRIPTION	PCB THICKNESS

QUALITY SYMBOLS	THIS DRAWING CONTAINS INFORMATION THAT IS PROPRIETARY TO MOLEX ELECTRONIC TECHNOLOGIES, LLC AND SHOULD NOT BE USED WITHOUT WRITTEN PERMISSION		DIMENSION UNITS		SCALE					
▽ = 0 ▽ = 0 ▽ = 0 ▽ = 0 ▽ = 0 ▽ = 0 ▽ = 0 ▽ = 0 ▽ = 0 ▽ = 0	2017/10/25 2017/10/27	GENERAL TOLERANCES (UNLESS SPECIFIED) MM INCH 4 PLACES ± ± 3 PLACES ± ± 0.01 2 PLACES ± 0.25 ± 1 PLACES ± ± 0 PLACES ± ±	mm	NTS	DRWN BY: JLEE02				DATE: 2012/10/24	1.85MM JACK PCB FIELD REPLACEABLE 50 OHM EWR-5044, 1.85MM-JR/PCB
▽ = 0 ▽ = 0 ▽ = 0 ▽ = 0 ▽ = 0 ▽ = 0 ▽ = 0 ▽ = 0 ▽ = 0 ▽ = 0	EC NO: 116458 DRWN: LMEIER CHKD: REV / APPR: AROBERTSON	ANGULAR TOL = 2.0 DRAFT WHERE APPLICABLE MUST REMAIN WITHIN DIMENSIONS	C	THIRD ANGLE PROJECTION	CHK'D BY: SSS	DATE: 2012/10/24	PRODUCT CUSTOMER DRAWING			
					APPR BY: JWIENER	DATE: 2013/07/01	SERIES: 73157	MATERIAL NUMBER: SEE TABLE	CUSTOMER:	
							DOCUMENT NUMBER: SD-73157-000	DOC TYPE: PSD	DOC PART: 001	SHEET NUMBER: 1 OF 1

# Mouser Electronics

Authorized Distributor

Click to View Pricing, Inventory, Delivery & Lifecycle Information:

[Molex:](#)

[73157-0002](#)