

A

B

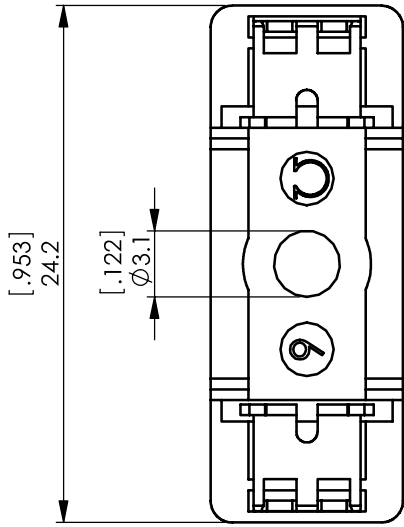
C

D

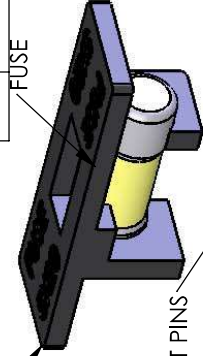
E

F

REV.	MODIFICATION.	DATE	DRN
01	NEW DRAWING	17/11/04	NJB
02	ECN 04-227	10/12/04	NJB
03	ECN 06-051	20/03/06	OW
04	ECN07-032	08/02/07	SF



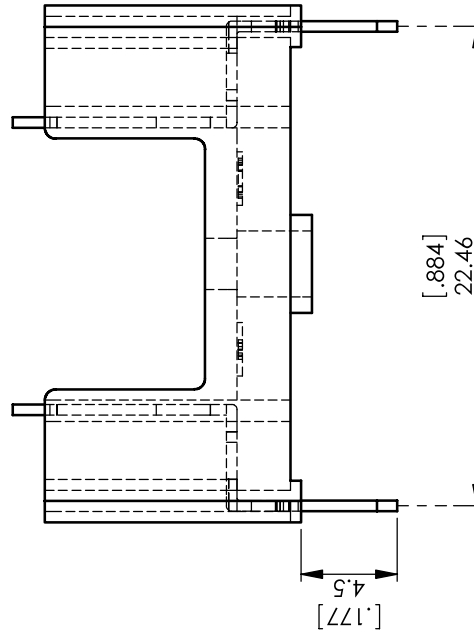
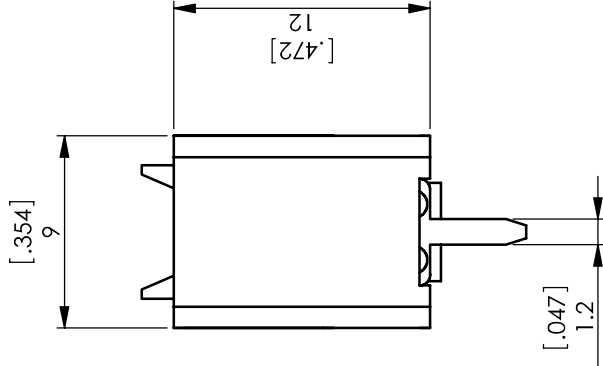
FC-320-NV FUSE COVER



CONTACT PINS

FH-320-NV FUSE HOLDER

MOUNTING BOARD



TYPICAL APPLICATION VIEW

INFORMATION CONTAINED IN THIS DOCUMENT IS CONFIDENTIAL TO RICHCO INTERNATIONAL Co. Ltd. AND MAY NOT BE DISCLOSED OR REPRODUCED IN WHOLE OR PART WITHOUT THEIR WRITTEN CONSENT



METRIC GENERAL TOLERANCES ±0.25
ARE PRIMARY UNLESS OTHERWISE STATED
1 DECIMAL PLACE ±
2 DECIMAL PLACES ±
ANGULAR ±1°

IMPERIAL GENERAL TOLERANCES ±0.010
ARE FOR REFERENCE UNLESS OTHERWISE STATED
1 DECIMAL PLACE ±
2 DECIMAL PLACES ±
ANGULAR ±1°

MATERIAL: SEE TABLE
COLOUR: SEE TABLE

PART No:

FUSE HOLDER, BOARD MOUNTED

FH-320-NV

DRG No:

04-165

NPR REF:

DATE

17/11/04

CHKD

OW

DATE

17/11/04

DRN

NJB

COLOUR

BLACK

MATERIAL

NYLON 6/6 25% GF (RMS-49)

CONTACT PINS

BRASS (CuZn 33) (RMS-289)
+ FLASH NICKEL & 4/5 MICRONS TIN
60/40 (RMS-217)

NOTES:

1) ALL PRIMARY DIMENSIONS IN mm,
SECONDARY DIMENSIONS IN [INCHES].

A

B

C

D

E

F

FORM No 0145/02