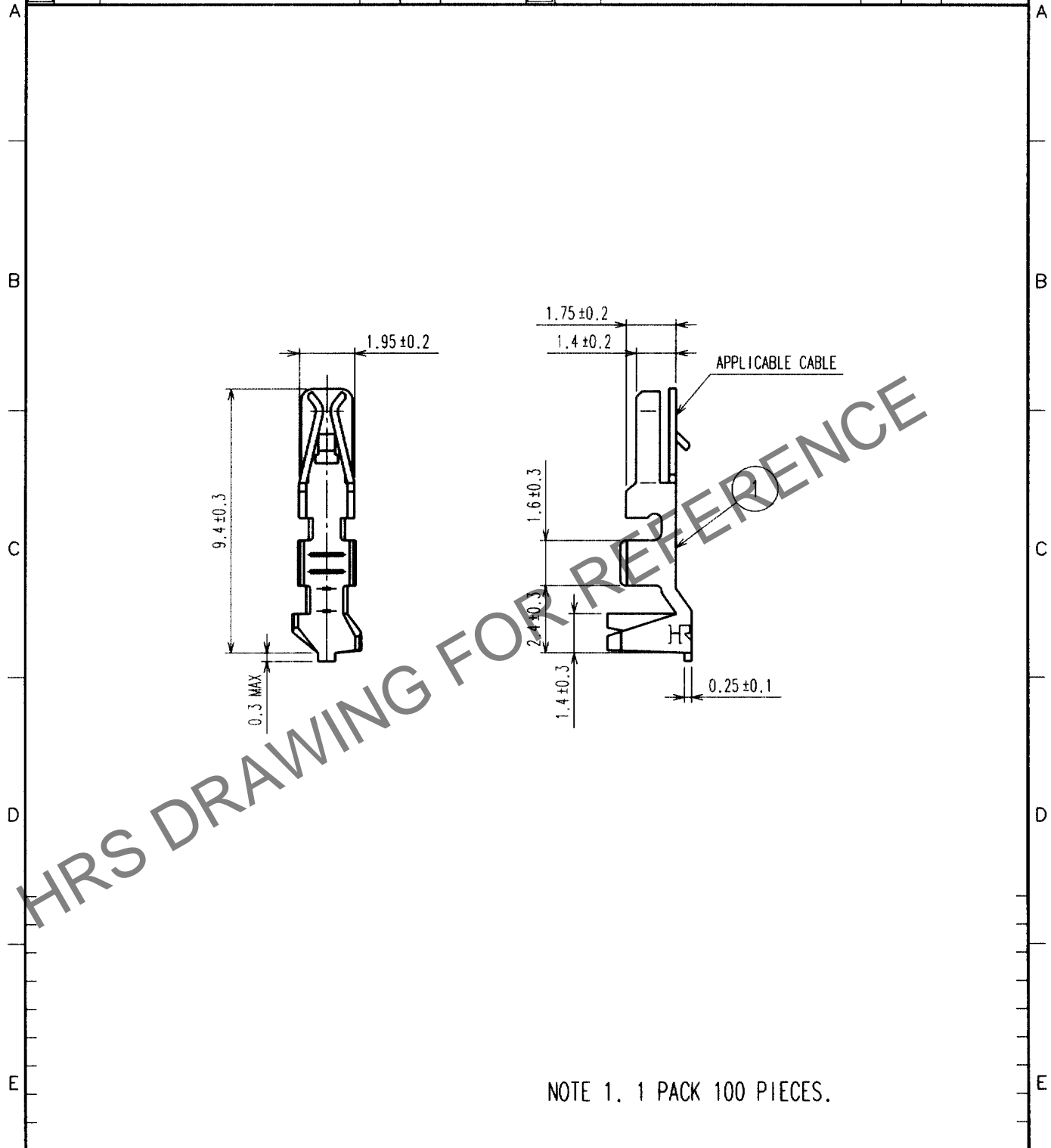


Jun.1.2024 Copyright 2024 HIROSE ELECTRIC CO., LTD. All Rights Reserved.
In case of consideration for using Automotive equipment / device which demand high reliability, kindly contact our sales window correspondents.

1	2				3				4				
COUNT	DESCRIPTION OF REVISIONS			BY	CHKD	DATE	COUNT	DESCRIPTION OF REVISIONS			BY	CHKD	DATE
△							△						..
△							△						..
△							△						..



NOTE 1. 1 PACK 100 PIECES.

NO.	MATERIAL	FINISH, REMARKS	NO.	MATERIAL	FINISH, REMARKS
			1	PHOSPHOR BRONZE	TIN PLATED

CODE NO. (OLD)	DRAWN	DESIGNED	CHECKED	APPROVED	RELEASED
	S.Hara	W. Fukuchi	C. Hanami	K. Katayama	
	'99.11. 4	'99.11.11	'99.11.12	'99.11.12	

TO

 SACLE 5 : 1 UNITS mm	DRAWING NO. EDC4-161407 	PART NO. DF1E-2022SC CODE NO. CL541-1000-2	1/1
	HIROSE ELECTRIC CO., LTD.		FORM NO. 22B