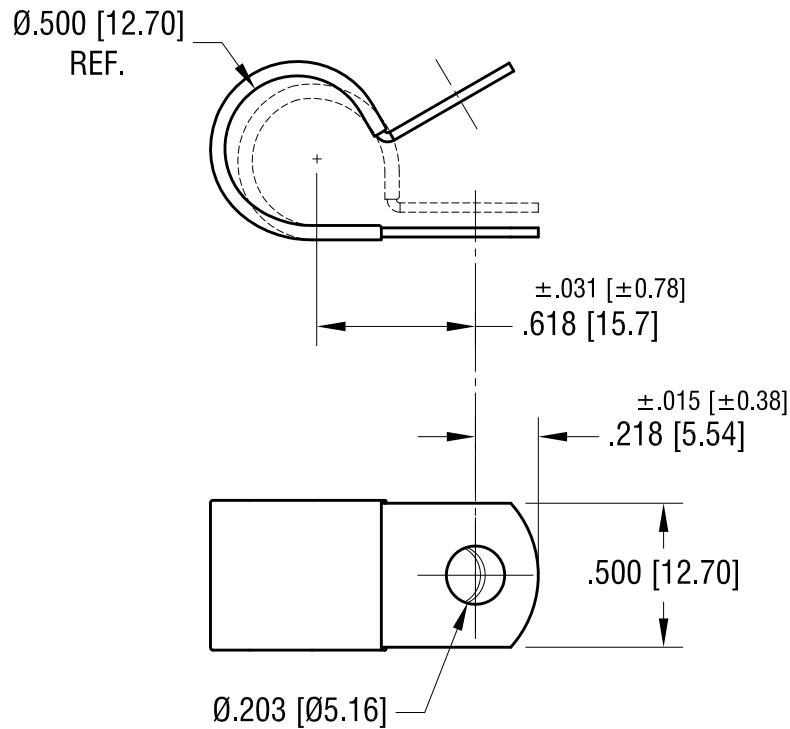
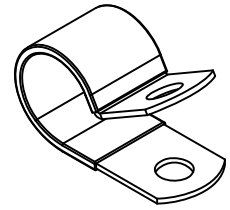


THIS DOCUMENT IS THE PROPERTY OF
KEYSTONE ELECTRONICS CORP. AND
SHALL NOT BE REPRODUCED, DISTRIBUTED
OR USED AS A BASIS FOR MANUFACTURE
WITHOUT PRIOR WRITTEN PERMISSION
FROM KEYSTONE ELECTRONICS CORP.

ACTUAL SIZE



KEYSTONE ELECTRONICS CORP.

www.keyelco.com • NEW HYDE PARK, NY 11040 • Tel (516) 328-7500

PART NAME
INSULATED STEEL CABLE CLAMP

MATERIAL
.032 [0.81] TH'K STEEL, BLACK VINYL

FINISH ZINC PLATE CLEAR CHROMATE	DRN BY BOONE	DATE 10.20.99
	APP'D RH	SCALE 1.5X

2.27.24	CHANGE AS PER PCN 24-015	B
10.18.06	CHANGE AS PER ECN 06-070	A
DATE	DESCRIPTION	REV.

TOLERANCES	INCH [MM]	CODE	DWG NO.
DECIMAL	$\pm .010$ [$\pm .025$]	C	8126
ANGULAR	$\pm 1^\circ$		
UNLESS OTHERWISE SPECIFIED			