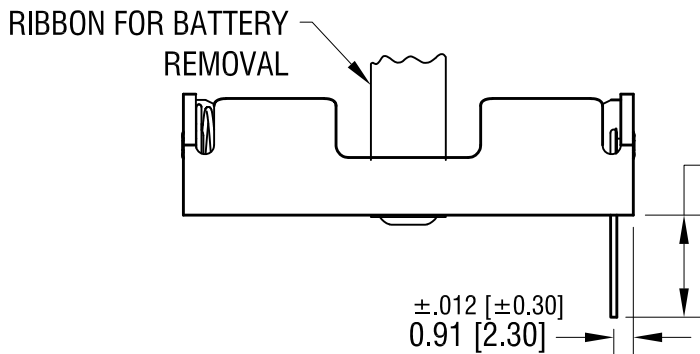
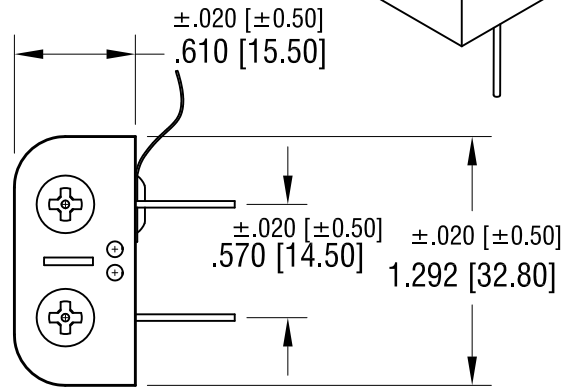
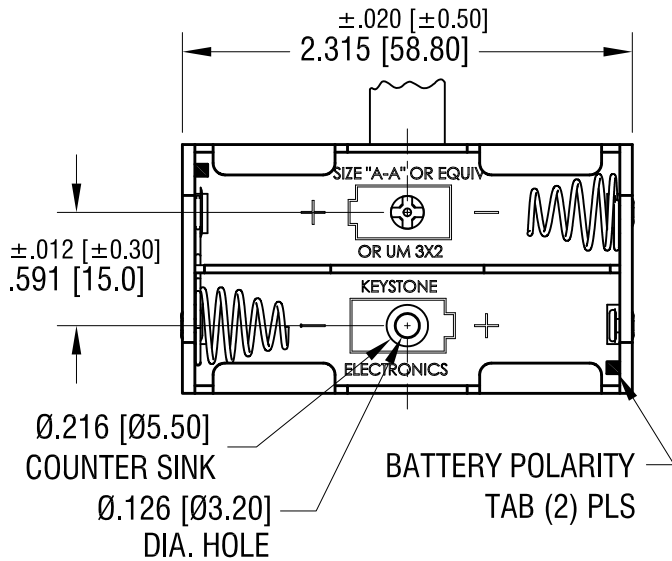
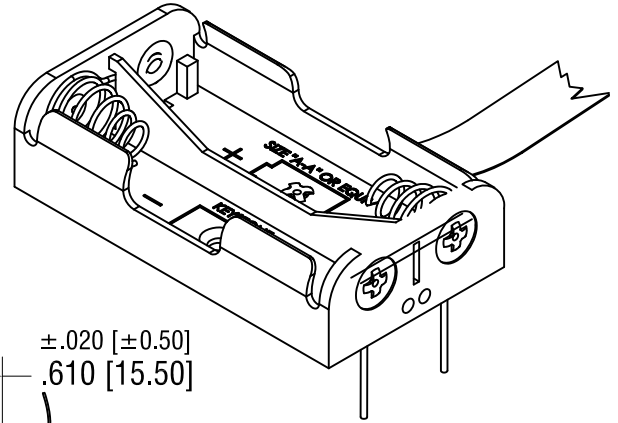
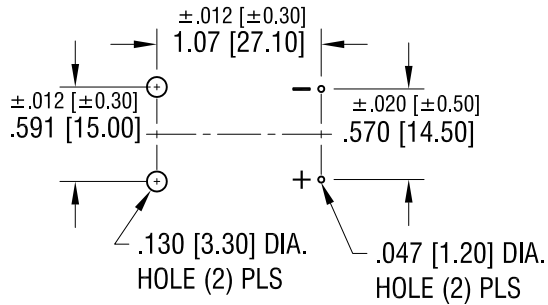


THIS DOCUMENT IS THE PROPERTY OF
KEYSTONE ELECTRONICS CORP. AND
SHALL NOT BE REPRODUCED, DISTRIBUTED
OR USED AS A BASIS FOR MANUFACTURE
WITHOUT PRIOR WRITTEN PERMISSION
FROM KEYSTONE ELECTRONICS CORP.

MOUNTING DETAIL



NOTE:

- HOLDER: MAT'L: POLYPROPYLENE
 SPRING: MAT'L: MUSIC WIRE, .025 [0.63] DIA.
 PC TERMINALS: MAT'L: BRASS, .032 [0.81] DIA.
 RIBBON: MAT'L: NYLON, RED

5.08.24	UPDATE DIMENSIONS&TOLERANCES	G
12.28.20	UPDATE PER INSPECTED SAMPLE ECN 20-099, (F1) WAS .520±.060	F
11.19.19	ECN 19-088, (E1) WAS .472±.060	E
3.29.12	CHANGE AS PER ECN 12-039	D
11.10.11	CHANGE AS PER ECN 11-152	C
5.2.06	ECN 06-026 SPLIT DWG C+M GENERAL TOLERANCE WAS .015	B
4.7.04	ECN 04-045 POLARITY TABS INFO.	A
DATE	DESCRIPTION	REV.

KEYSTONE ELECTRONICS CORP.			
www.keyelco.com • NEW HYDE PARK, NY 11040 • Tel (516) 328-7500			
PART NAME PC BATTERY HOLDER (2) 'AA' W/ RIBBON			
MATERIAL AS NOTED			
FINISH NICKEL PLATE		DRN BY BOONE	DATE 12.01.03
		APP'D RH	SCALE 1X
TOLERANCES DECIMAL ANGULAR	INCH [MM] ±.010 [±0.25] ± 1°	CODE C	DWG NO. 2462RB
UNLESS OTHERWISE SPECIFIED			