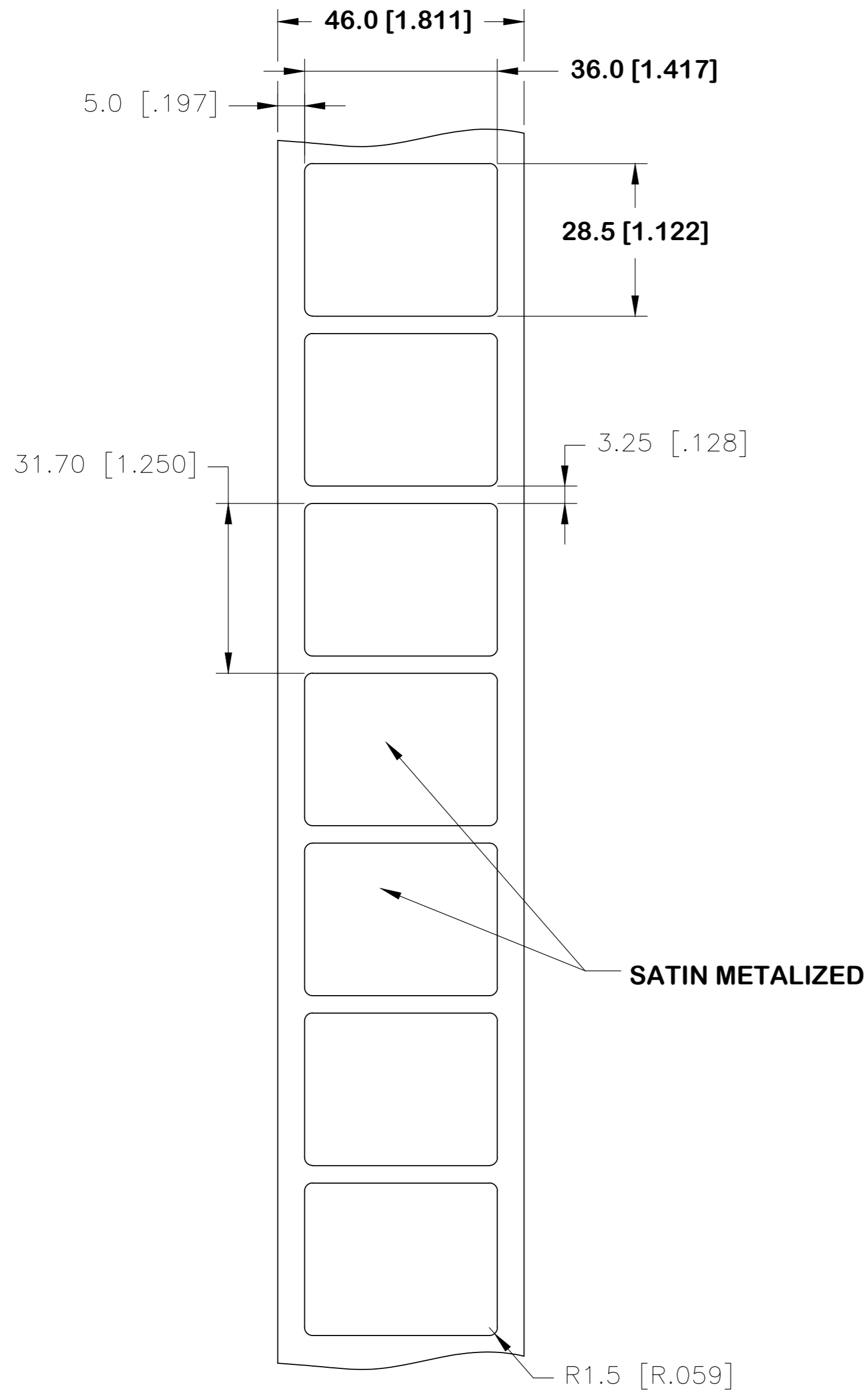
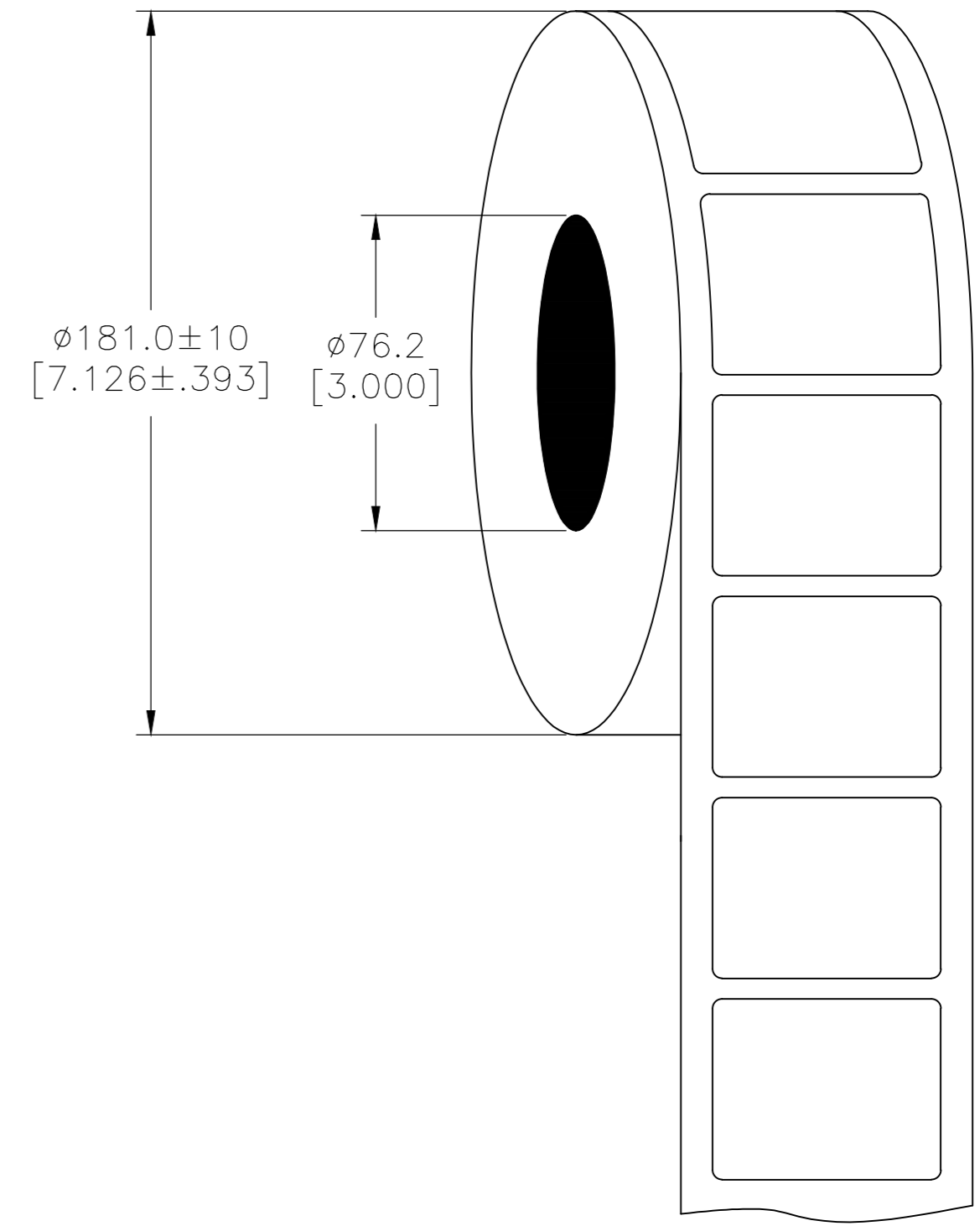


REVISIONS					
P	LTR	DESCRIPTION	DATE	DWN	APVD
	A	NEW DRAWING	21SEP2017	GK	DB
	A1	UL TABLE UPDATED	06JUN2018	GK	DB

LABEL AND LINER DESIGN



PRESENTATION



All dimensions in mm [Inch]

TE PN: 2322738-1

UL-MARKING AND LABELLING SYSTEMS	
PGJ12 - Printing Materials - Component (UL 969)	
PGJ18 - Printing Materials Certified for Canada - Component (CSA C22.2 No. 0.15)	
File: MH17292	Product design: PL-8A Ribbon: TTB-XXXSC/YYYYAQ529

TOLERANCES mm [INCH]	
LABEL HEIGHT:	± 0.3 [.012]
LABEL WIDTH:	± 0.3 [.012]
WEB WIDTH:	± 0.5 [.020]
VERTICAL REPEAT:	± 0.5 [.020]*
HORIZONTAL REPEAT:	± 0.5 [.020]*
LABEL POSITIONING:	± 0.5 [.020]*
LEFT MARGIN:	± 0.5 [.020]
QUANTITY:	-0 % +2 %
*NON ACCUMULATING	

MATERIAL		POLYESTER SATIN METALIZED	
ADHESIVE TYPE		ACRYLIC PE FOAM	
LINEAR		BROWN KRAFT	
DWN	21SEP2017	GOPALAKRISHNA HV	
CHK	21SEP2017	D.BURGAT	
APVD	21SEP2017	D.BURGAT	
PRODUCT SPEC	TTDS-245		
APPLICATION SPEC	-		
WEIGHT	0.483g	SIZE	A2
CUSTOMER DRAWING	SCALE	NTS	SHEET 1 of 1
MATERIAL		FINISH	SATIN
DIMENSIONS: mm [INCHES]		TOLERANCES UNLESS OTHERWISE SPECIFIED:	
0 PLC ±		1 PLC ±	
2 PLC ±		3 PLC ±	
4 PLC ±		ANGLES ±	
MATERIAL		SEE TABLE	
FINISH		SATIN	
DWN	21SEP2017	GOPALAKRISHNA HV	
CHK	21SEP2017	D.BURGAT	
APVD	21SEP2017	D.BURGAT	
PRODUCT SPEC	TTDS-245		
APPLICATION SPEC	-		
WEIGHT	0.483g	SIZE	A2
CUSTOMER DRAWING	SCALE	NTS	SHEET 1 of 1
MATERIAL		FINISH	SATIN
DIMENSIONS: mm [INCHES]		TOLERANCES UNLESS OTHERWISE SPECIFIED:	
0 PLC ±		1 PLC ±	
2 PLC ±		3 PLC ±	
4 PLC ±		ANGLES ±	
MATERIAL		SEE TABLE	
FINISH		SATIN	
DWN	21SEP2017	GOPALAKRISHNA HV	
CHK	21SEP2017	D.BURGAT	
APVD	21SEP2017	D.BURGAT	
PRODUCT SPEC	TTDS-245		
APPLICATION SPEC	-		
WEIGHT	0.483g	SIZE	A2
CUSTOMER DRAWING	SCALE	NTS	SHEET 1 of 1

Mouser Electronics

Authorized Distributor

Click to View Pricing, Inventory, Delivery & Lifecycle Information:

[TE Connectivity:](#)

[2322738-1](#)