

4

3

2

1

B TJ-101RPM

D

D

C

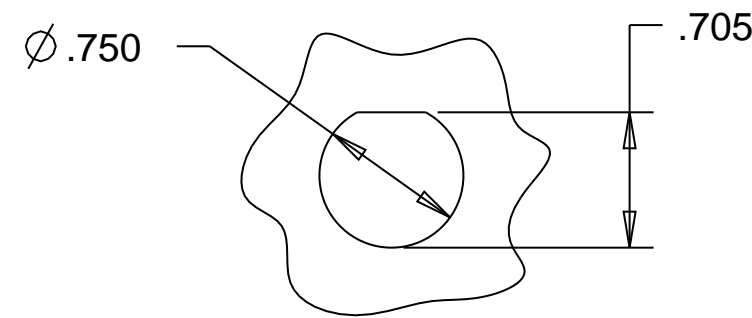
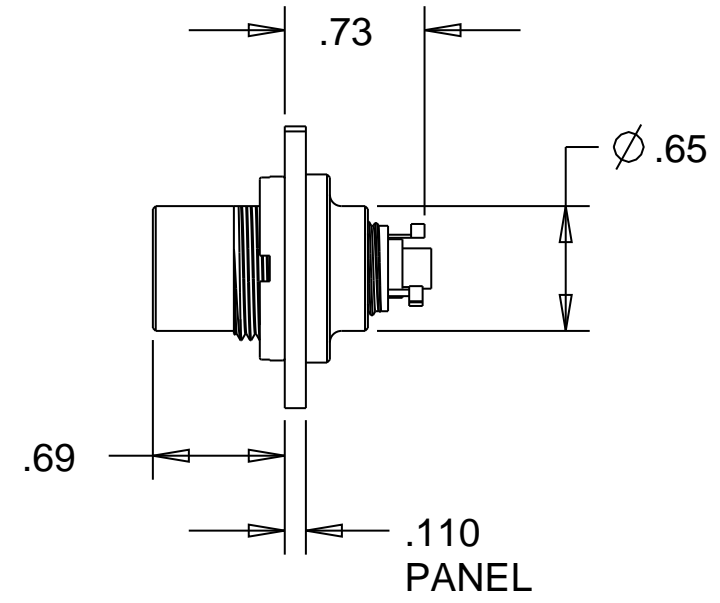
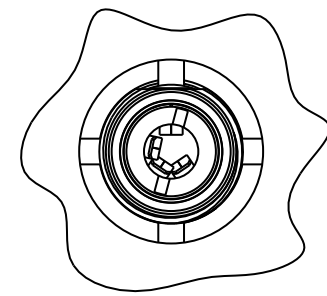
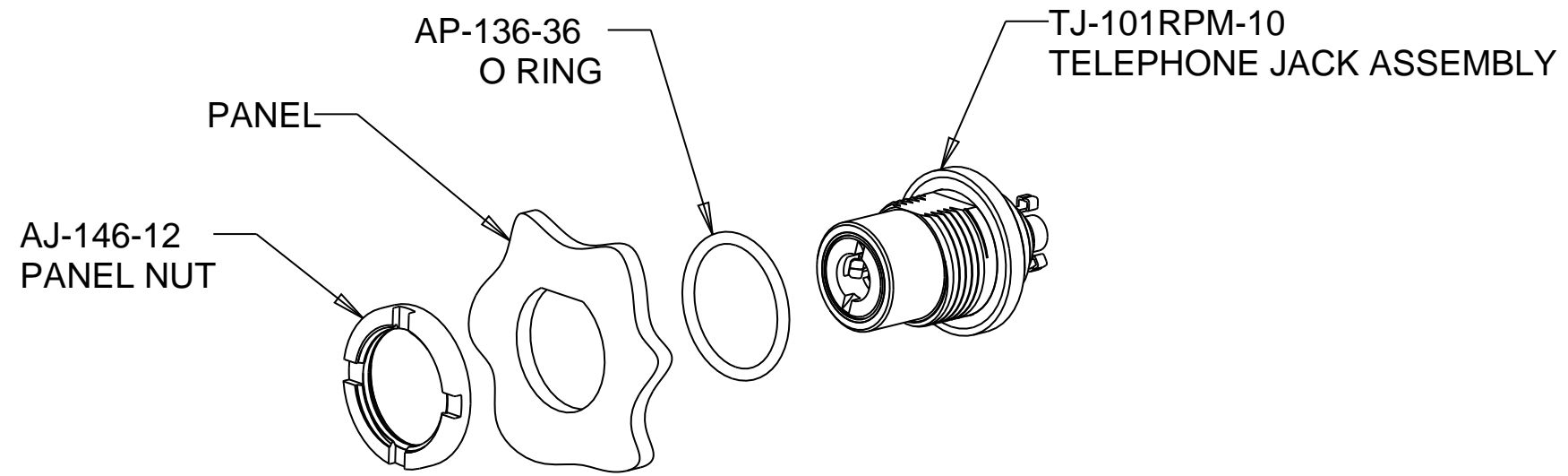
C

B

B

A

A



PANEL HOLE CUT OUT DETAIL

THIS DOCUMENT CONTAINS PROPRIETARY INFORMATION OF NEXUS, INCORPORATED AND SUCH INFORMATION MAY NOT BE DISCLOSED TO OTHERS FOR ANY PURPOSE OR USED FOR ANY PURPOSE WITHOUT THE WRITTEN CONSENT OF NEXUS.

LET.	REVISION	CN #	DATE	CHK.
A	INITIAL RELEASE		5/21/10	GPH

DWN.BY	LDE	DATE	21-May-10
CHECKED BY	GPH	DATE	5/21/10
APPR.BY	GPH	DATE	5/21/10
UNLESS OTHERWISE SPECIFIED DIMENSIONS ARE IN INCHES			
TOLERANCES ON			
.XX	.XXX	ANGLES	
—	±.003	±.5 °	

MATERIAL	
FINISH	
WEIGHT —	SCALE = 1.00 :1
TITLE	
TELEPHONE JACK, RPM	
DO NOT SCALE DWG.	SHEET 1 OF 1

NEXUS
STAMFORD, CONN

SIZE **B** DWG. NO. TJ-101RPM

Mouser Electronics

Authorized Distributor

Click to View Pricing, Inventory, Delivery & Lifecycle Information:

[Amphenol:](#)

[TJ-101RPM](#)