

53120-1 ✓ ACTIVE

SOLISTRAND

TE Internal #: 53120-1

Spring Spade Terminal, 22 – 16 AWG, #6 / M3.5 Stud Size, 3.51 mm [.138 in] Stud Diameter, Closed Barrel, Straight, Tin, Uninsulated

[View on TE.com >](#)



Terminals & Splices > Spade Terminals



Spade Terminal Type: **Spring Spade Terminal**

Wire Size: **509 – 3260 CMA**

Stud Size: **#6, M3.5**

### Features

#### Product Type Features

Stud Size	#6, M3.5
Sealable	No
Wire Insulation Support Retention Type	Non-Insulation Support

#### Contact Features

Spade Terminal Type	Spring Spade Terminal
Barrel Type	Closed
Terminal Orientation	Straight
Terminal Plating Material	Tin

#### Mechanical Attachment

Wire Insulation Support	Without
-------------------------	---------

#### Dimensions

Wire Size	509 – 3260 CMA
Stud Diameter	3.51 mm [.138 in]
Tongue Thickness	.79 mm [.031 in]
Product Length	14.63 mm [.576 in]
Barrel Inside Diameter	3.58 mm [.141 in]



### Usage Conditions

Insulation Option	Uninsulated
Operating Temperature Range	105 °C[221 °F]

### Operation/Application

Compatible With Wire Base Material	Copper
Compatible With Wire Plating Material	Tin

### Industry Standards

Government Qualified Terminal	No
-------------------------------	----

### Packaging Features

Packaging Quantity	1000
Packaging Method	Loose Piece

### Product Compliance

[For compliance documentation, visit the product page on TE.com>](#)

EU RoHS Directive 2011/65/EU	Compliant
EU ELV Directive 2000/53/EC	Compliant
China RoHS 2 Directive MIIT Order No 32, 2016	No Restricted Materials Above Threshold
EU REACH Regulation (EC) No. 1907/2006	Current ECHA Candidate List: JUNE 2024 (241) Candidate List Declared Against: JUNE 2024 (241) Does not contain REACH SVHC
Halogen Content	Low Halogen - Br, Cl, F, I < 900 ppm per homogenous material. Also BFR/CFR/PVC Free
Solder Process Capability	Not applicable for solder process capability

#### Product Compliance Disclaimer

This information is provided based on reasonable inquiry of our suppliers and represents our current actual knowledge based on the information they provided. This information is subject to change. The part numbers that TE has identified as EU RoHS compliant have a maximum concentration of 0.1% by weight in homogenous materials for lead, hexavalent chromium, mercury, PBB, PBDE, DBP, BBP, DEHP, DIBP, and 0.01% for cadmium, or qualify for an exemption to these limits as defined in the Annexes of Directive 2011/65/EU (RoHS2). Finished electrical and electronic equipment products will be CE marked as required by Directive 2011/65/EU. Components may not be CE marked. Additionally, the part numbers that TE has identified as EU ELV compliant have a maximum concentration of 0.1% by weight in homogenous materials for lead, hexavalent chromium, and mercury, and 0.01% for cadmium, or qualify for an exemption to these limits as defined in the Annexes of Directive 2000/53/EC (ELV). Regarding the REACH Regulation, the information TE provides on SVHC in articles for this part number is based on the latest European Chemicals Agency (ECHA) 'Guidance on requirements for substances in articles' posted at this URL: <https://echa.europa.eu/guidance-documents/guidance-on-reach>


## Compatible Parts



TE Part # 58545-1  
SOLISTRAND 10-22 DIE ASSY



TE Part # 58546-1  
PC 22-10 SOLISSPICE SPL I SHT



TE Part # 49935  
DAHT SOLIS 22-10 ASSY



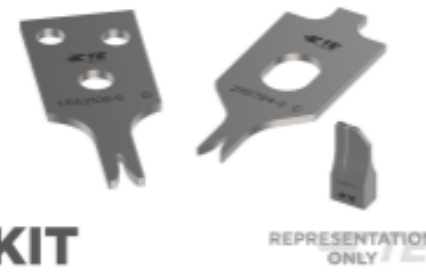
TE Part # 58545-3  
SDE DIE ASSY. 22-10 SOLISTRAND



TE Part # 2276258-1  
Mini Applicator-LP



TE Part # 47812  
DIES SOLIS 22-16 DIE SET



TE Part # 7-2276258-7  
SPECIAL SPARE KIT MINI LP



TE Part # 169400  
CERTI-LOK FRAME W/O DIES

## Customers Also Bought



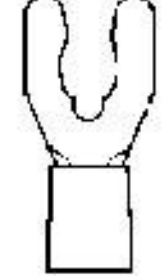
TE Part #1658678-1  
KIT,HDP-22,ENCLSUR,PLUG,SIZE 1



TE Part #5749193-2  
50 50SR KIT,ST,UK



TE Part #53123-1  
TERMINAL,SOLIS SPR SPD 16-14 6



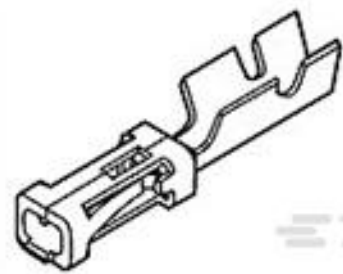
TE Part #53832-2  
SOLIS SP SPD22-16COM22-18MIL10



TE Part #5054132011  
RNF-100-1/4-1-STK



TE Part #5050032012  
RNF-100-1/4-8-STK



TE Part #86016-5  
MOD IV RECP LP



TE Part #201356-1  
20 POS. MALE



TE Part #505872P034  
VERSAFIT-3/16-0-0.9375IN



## Documents

### Product Drawings

[SOLIS SP SPD 22-16COM22-18MIL6](#)

English

---

### CAD Files

Customer View Model

[ENG\\_CVM\\_53120-1\\_C.3d\\_igs.zip](#)

English

Customer View Model

[ENG\\_CVM\\_53120-1\\_C.3d\\_stp.zip](#)

English

Customer View Model

[ENG\\_CVM\\_53120-1\\_C.2d\\_dxf.zip](#)

English

[3D PDF](#)

English

[3D PDF](#)

3D

Customer View Model

[ENG\\_CVM\\_CVM\\_53120-1\\_E.2d\\_dxf.zip](#)

English

Customer View Model

[ENG\\_CVM\\_CVM\\_53120-1\\_E.3d\\_igs.zip](#)

English

Customer View Model

[ENG\\_CVM\\_CVM\\_53120-1\\_E.3d\\_stp.zip](#)

English

By downloading the CAD file I accept and agree to the [Terms and Conditions](#) of use.

---

### Agency Approvals

[UL Report](#)

English