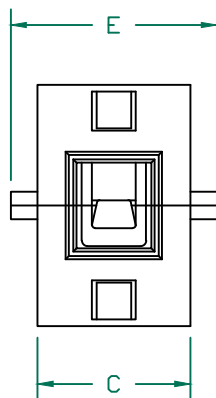
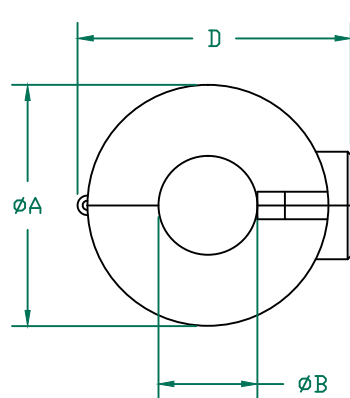


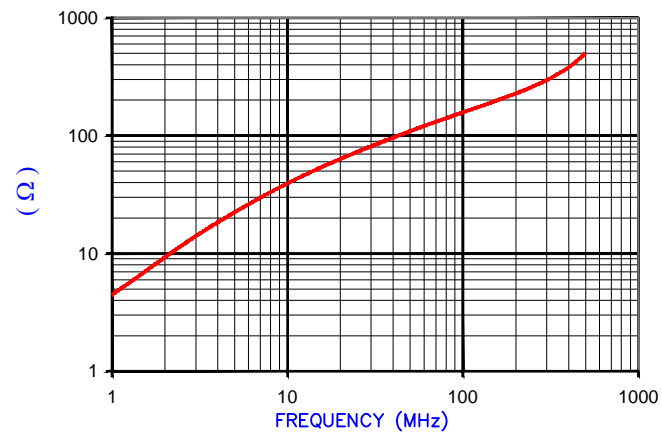
FERRITE CORE DIMENSIONS (SPEC): mm [in]

A	16.30 [.642]	±	0.33 [.013]
B	8.15 [.321]	±	0.13 [.005]
C	16.00 [.630]	±	0.25 [.010]
D	8.15 [.321]	±	0.20 [.008]



IMPEDANCE (Z)			
Frequency	25 MHz	100 MHz	300 MHz
Nominal (REF)	62 Ω	160 Ω	300 Ω
Minimum	- Ω	128 Ω	- Ω

Z vs. FREQUENCY
(REF. ONLY)



AGILENT E4991A Impedance/Material Analyzer
HP 16092A-Test Fixture REF 3216

NOTES:

1. ASSEMBLED PART #: 28A2432-0A2.
2. CASE COLOR: BLACK-0A2.
3. CASE FLAMMABILITY RATING: UL94 V-2.
4. CASE MATERIAL: Halogen Free Nylon
5. COSMETIC SPECIFICATION REFER TO WI-QA-038.

CASE DIMENSIONS (SPEC): mm [in]

A	19.20 [.756]	±	0.30 [.012]
B	8.20 [.323]	±	0.20 [.008]
C	19.90 [.783]	±	0.30 [.012]
D	23.10 [.909]	±	0.38 [.015]
E	26.10 [1.028]	±	0.38 [.015]

DIMENSIONS ARE IN mm [INCHES].				This print is the property of Laird Tech. and is loaned in confidence subject to return upon request and with the understanding that no copies shall be made without the written consent of Laird Tech. All rights to design or invention are reserved.				
L	UPDATE COMPANY LOGO ,ADD NOTE 5	08/23/14	QIU	PROJECT/PART NUMBER:		REV	PART TYPE:	DRAWN BY:
K	UPDATED NOTE 3	09/15/10	JUN	28A2432-0A2		L	FERRITE SNAP-ON	TMB
J	UPDATE COMPANY LOGO ADD NOTES 3 & 4	01/27/09	JRK	DATE:	06/28/01	SCALE:	NTS	MATERIAL:
H	CHANGE CORE "D" DIM TOLERANCE TO 0.20 [.008] REMOVE NOTES #1 & #3	10/31/07	TMB	CAD #	28A2432-0A2-L	TOOL #	-	Ferrite
G	UPDATE COMPANY LOGO UPDATE MIN Z SPEC	07/03/07	JRK					
REV	DESCRIPTION	DATE	INT					