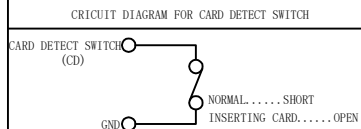
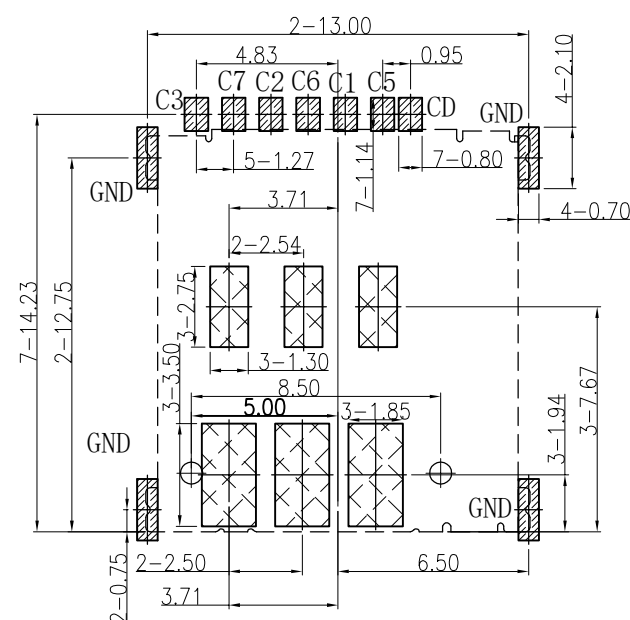
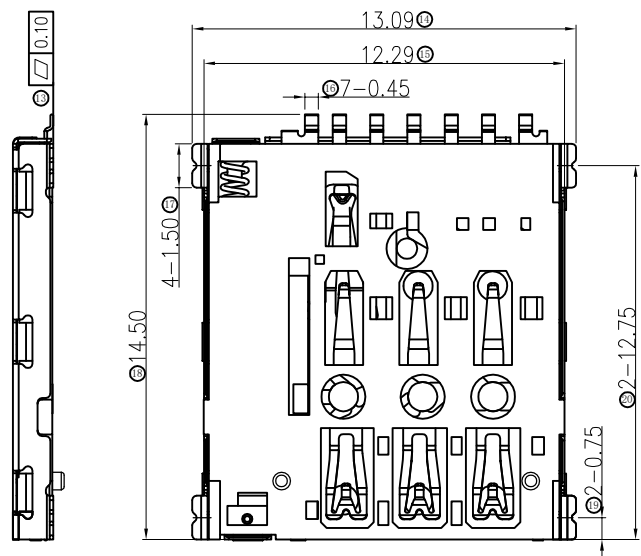
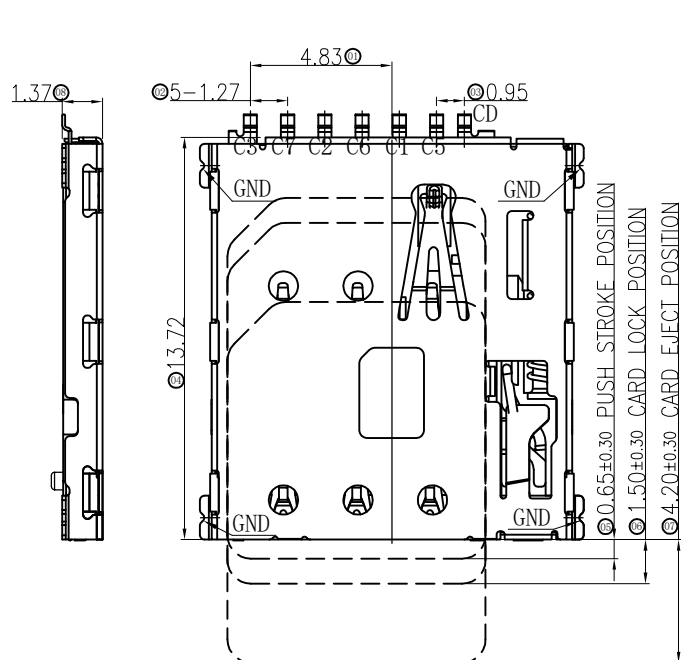


RoHS



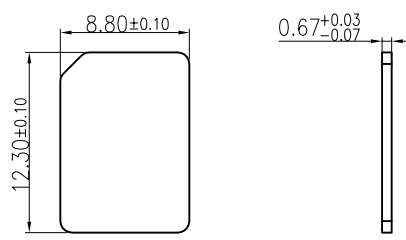
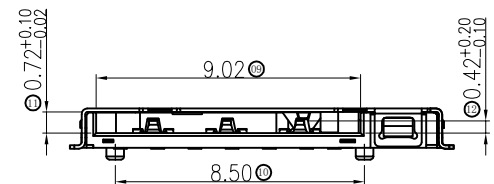
REV.	ECN. #	DESCRIPTION	NAME	DATE
A0	—	NEW RELEASE	GaoZhe	01/19/24



RECOMMENDED PCB LAYOUT

TOLERANCE: ±0.05

- SMT SOLDER AREA
- COPPER RESTRICTED AREA
- 1. TOUCH AREA OF CONTACT TIPS NO ELECTRICAL FUNCTION
- 2. NO FIRST PCB\_LAYOUT CIRCUITS IN THE AREA



卡片尺寸  
1:2

Notes:

- Material:
  - Housing: High Temperature Thermoplastic
  - Terminal: Copper Alloy
  - Shell: Stainless Steel
- Plating:
  - Terminal: 50u" Ni Underplated Overall
  - G/F Plated On Contact Area
  - G/F Plated On Solder Area
  - Shell: 30u" Ni Underplated Overall
  - G/F Plated On Solder Area
- Technical Speciality:
  - Rated Voltage: 30V
  - Current Rating: 0.5A
  - Insulation Resistance: 1000MΩ Min.
  - Contact Resistance: 100mΩ Max.
  - Withstanding Voltage: 500V DC For 1 Minutes.
  - Operating Temperature: -40℃~+75℃ Humidity 80% R.H Max.

PIN/NO	ASSIGNMENT	MILLIMETERS		INCH	
		X.° ±2°	X.° ±2°	.X ±0.30	.X ±0.012
C1	VCC	.XX ±0.20	.XX ±0.008	.XXX ±0.10	.XXX ±0.004
C2	RST				
C3	CLK				
C5	GND				
C6	VPP				
C7	I/O				
CD	Detect Switch				

**东莞市金比莱五金塑胶科技有限公司**  
DongGuan JinBiLai Metal Plastic Technology Co., Ltd

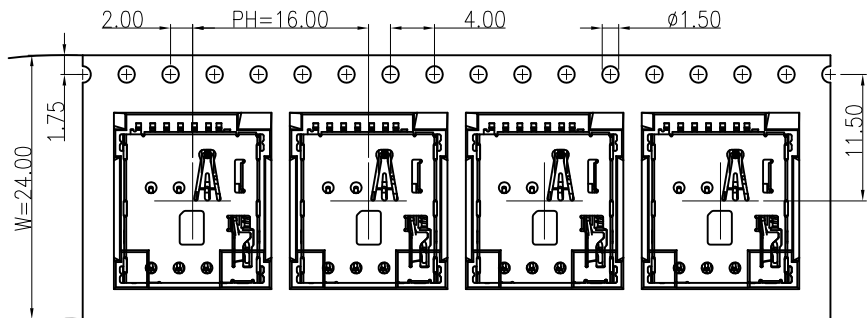
TITLE	1.37H Push-Push Nano-SIM卡座	DR	
PART NO.	102014433	CHKD	
PRO J.	PAGE 1/2	UNITS mm	APPD
SIZE	A4	SCALE 1:1	DIS NO. NS005-201<客户图>

A  
B  
C  
D  
E

1 2 3 4 5 6 7

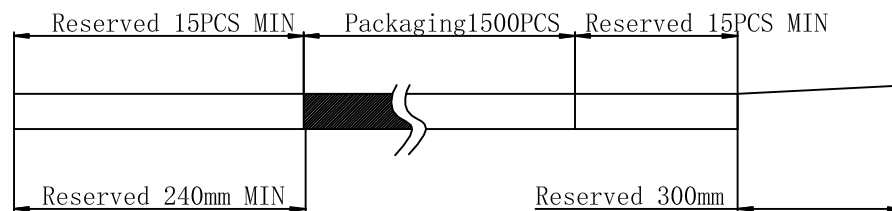
ROHS

Direction of use →



NOTES:

- 1、Packing quantity per plate: 1500PCS/Plate
- 2、Loading and packing method

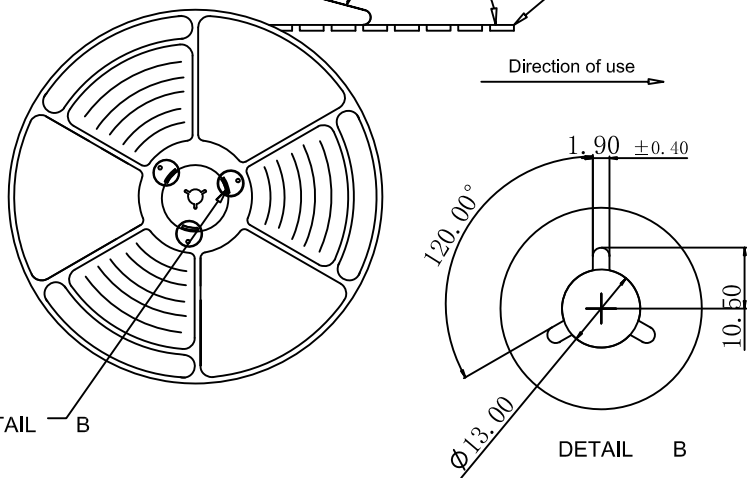


- 3、Total packaging: 15000PCS/Box

胶带剥离角: :165° ~180°  
剥离力:10~130g

Carrier Tape

Direction of use →

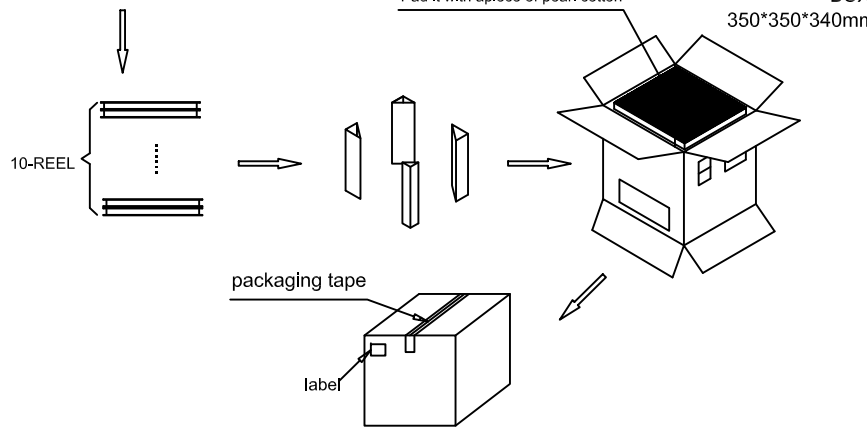


DETAIL B

DETAIL B

The bottom and top of the carton  
Pad it with apiece of pearl cotton

BOX  
350\*350\*340mm



packaging tape

label

Part Number	Description	Quantity
303020071	Carrier band (Lucent, PET W=24 PH=16,T=0.3)	244.8m
303040009	Box (K=K,T=7.0,350*350*340)	1PCS
303060001	PE Bag (T=0.08mm, 730*760*730)	1PCS
303070024	Self-adhesive (W=21.30)	247.8m
303110001	Beam (K=K, T=7.0,95*95*290)	4PCS
303130001	Pearl Wool (340*340*18)	2PCS
303180017	REEL (BLUE, 13Inches*24mm, ø330)	10PCS
102014433	1.37H Push-Push Micro-Sim Card<NS005-201>	15000PCS

MILLIMETERS	INCH
X. ° ±2°	X. ° ±2°
.X ±0.30	.X ±0.012
.XX ±0.20	.XX ±0.008
.XXX ±0.10	.XXX ±0.004

THESE DRAWINGS AND SPECIFICATIONS ARE THE PROPERTY OF DongGuan JinBiLai Metal Plastic Technology Co., Ltd. COPIED OR USED IN ANY MANNER WITHOUT THE PRIOR WRITTEN CONSENT OF DongGuan JinBiLai Metal Plastic Technology Co., Ltd.



东莞市金比莱五金塑胶科技有限公司

DongGuan JinBiLai Metal Plastic TechnologyCo.,Ltd

TITLE	1.37H Push-Push Nano-SIM卡座	DR		
PART NUM.	102014433	CHKD		
PRO J.	PAGE 2/2	UNITS mm	APPD	
SIZE	A4	SCALE 1:1	DIS NO.	NS005-201<客户图>