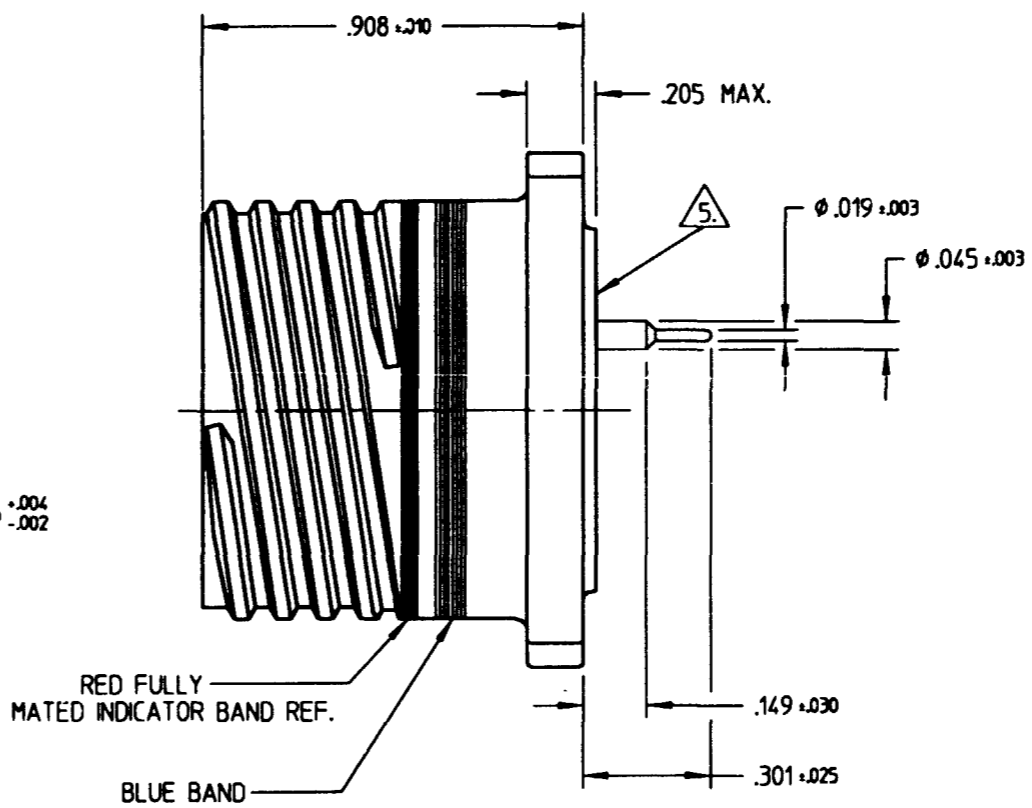
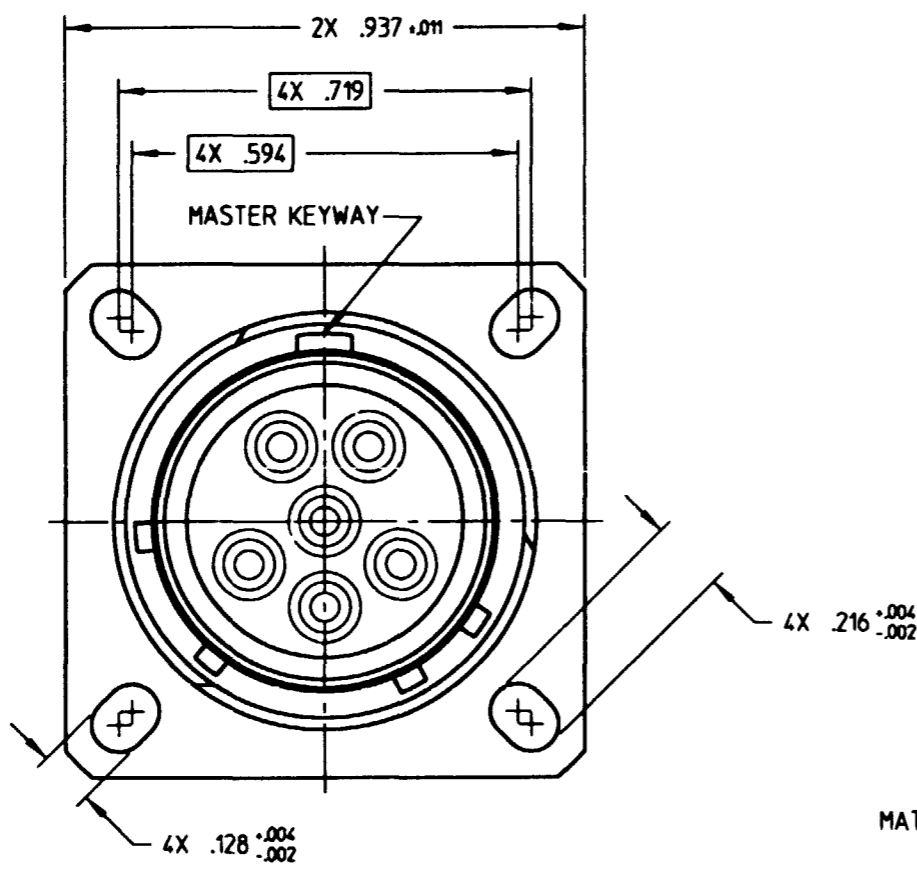


PROPERTY OF DEUTSCH E.C.D.
 This drawing contains proprietary information that shall not be disclosed, duplicated, nor used in whole or in part for any purpose other than to evaluate this drawing.

N/C	59014-9-35P*	REVISIONS		
REV	DESCRIPTION	DATE	APPROVED	
N/C	NEW RELEASE PER E.O. C2042	5-10-95	B	



- 6. MATES WITH ACT96MA35S#.
- 5. CONTACTS ARE NONREMOVABLE AND POTTED IN PLACE.
- 4. FOR APPLICABLE KEYING DIAGRAM, SEE MIL-C-38999. CONSULT FACTORY FOR AVAILABILITY.
- 3. GENERAL SPECIFICATIONS THIS CONNECTOR MEETS THE INTERMATEABILITY REQUIREMENTS OF MIL-C-38999, SERIES III.
- 2. MATERIAL / FINISH SHELL - COMPOSITE, NICKEL PLATED
 CONTACTS - COPPER ALLOY, GOLD OVER NICKEL
 RESILIENT INSERTS - SILICONE ELASTOMER
 PLASTIC INSERTS - THERMOPLASTIC
- 1. ALL DIMENSIONS ARE IN INCHES UNLESS OTHERWISE SPECIFIED.

SIGNATURE & DATE		CONNECTOR, RECEPTACLE SQUARE FLANGE MOUNTING THREADED COUPLING ACT SERIES 9-35P ARRANGEMENT EXTENDED PIN ENVELOPE	CP	MATL CODE
DR	D.WHITACRE 2/21/95		DEUTSCH ENGINEERED CONNECTING DEVICES 36033 Whittier Ave. Hawthorne, California	
CHK	Johwell 5-10-95		A	
PE	D.WHITACRE 2/21/95		59014-9-35P*	
APPD			CODE 1113	SHEET 1 OF 1
SCALE NONE		WT		