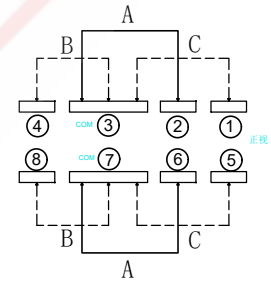
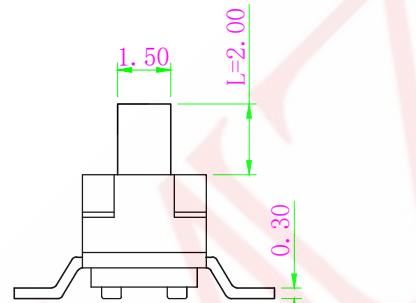
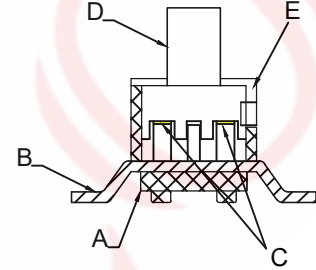
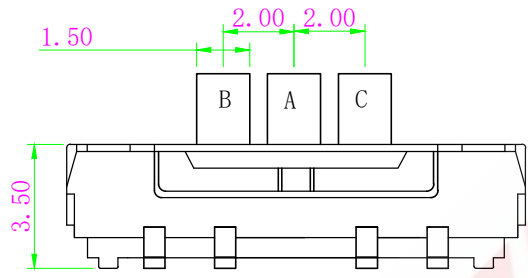
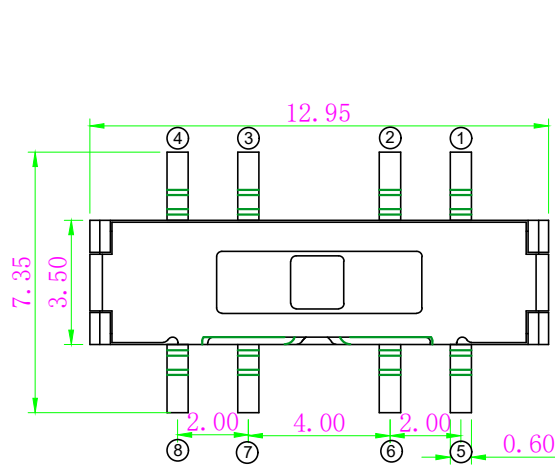
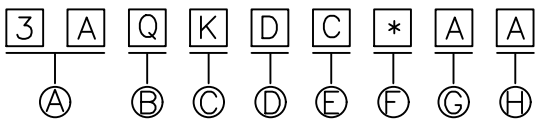


SAMZO REAC/ROHS

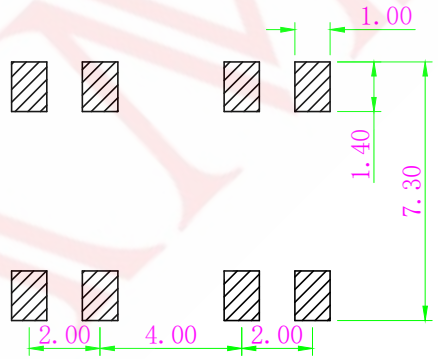
REV	ECN NO	DESCRIPTION	DESIGN	APPROVAL	DATE
A1	NEW	Replace frame			2018.06.12



①	②	③	④	⑤	⑥	⑦	⑧
●	●	●	●	●	●	●	●
●	●	●	●	●	●	●	●



A. 系列:3A-8P系列
 B: 模具号:Q-C130
 C. 引脚规格:K-正八脚
 D. 贴装方式:D-立式贴片
 E. 操作挡位:C-三档
 F: 手柄高度:C-L2.0/D-L2.5mm
 G: 固定方式:A-无柱
 H: 物料编码:A-常规(确认待编)



项目	标准
额定电流	Rated Current: 50mA MAX
额定电压	Rated voltage: DC 12V
接触电阻	Contact resistance: ≤70mΩ
绝缘电阻	Insulation Resistance: ≥100MΩ
耐压强度	Compressive strength: AC250V 50Hz/1 min
操作力度	Operating force: 180±50gf
机械寿命	Mechanical life: 10,000 cycles Min
操作行程	Operation Stroke: 1.50±0.1mm
环境温度	Temperature Range: -10°C ~ +60°C

ITEM	DESCRIPTION	MATERIAL	QTY	FINISH/COLOR					
F	弹条	不锈钢	1	清洗					
E	盖板	C5191R	1	镀银	GENERAL TOLERANCE				
D	簧片	铍青铜	1	镀银	≥0~2<	±0.15	SCALE 1:1 UNIT mm		
C	桃心	高温尼龙	1	黄色	DESIGN	WANGGUIFA	2018.06.12	≥2~5<	±0.25
B	卡件	磷铜	1	镀银	CHECKED	ZHENGUILAN	2018.06.12	≥0~2<	±0.15
A	基座	LCP	1	黑色	APPROVED	LILIANJIANG	2018.06.14	≥5	±0.35

FIRST VIEW

The copyright belongs to samzo parts (China) Co., Ltd. please use the material after samzo parts agree to authorize. The final right of interpretation belongs to samzo parts. WWW.KKK-JP.COM

SAMZO COMPONENTS
 Electronic switch and connector manufacturer

TITLE: :
MICRO 8P-立式-C130

DWG NO: 3AQKDC-P07
 PART NO: 3AQKDC012
 MODEL NO: 3AQKDC-*AA

NAME:
SLIDE SWITCH