

# FLT-SEC-P-T1-3C-264/50-FM - Type 1+2 combined lightning current and surge arrester



2907390

<https://www.phoenixcontact.com/us/products/2907390>

Please be informed that the data shown in this PDF document is generated from our online catalog. Please find the complete data in the user documentation. Our general terms of use for downloads are valid.



Plug-in lightning current arrester, in accordance with Type 1/Class I, for 3-phase power supply networks, with combined PE and N installed in one conductor (L1, L2, L3, PEN).

## Your advantages

- Surge protection family for universal use with optimum energy coordination from the lightning current arrester to the device protection
- Easy to maintain due to consistently pluggable protection modules
- Excellent level of information provided by mechanical/visual status indicator and remote indication contact
- Optimum protective effect in the event of high-energy lightning currents, thanks to spark gap technology with low residual voltage characteristic
- Compact design even for 1-phase applications of lightning protection level I due to the high discharge capacity in a small amount of space

## Commercial data

Item number	2907390
Packing unit	1 pc
Minimum order quantity	1 pc
Product key	CL1173
Catalog page	Page 40 (C-4-2019)
GTIN	4055626197227
Weight per piece (including packing)	1,183.8 g
Weight per piece (excluding packing)	1,155.58 g
Country of origin	DE

# FLT-SEC-P-T1-3C-264/50-FM - Type 1+2 combined lightning current and surge arrester



2907390

<https://www.phoenixcontact.com/us/products/2907390>

## Technical data

### Product properties

Product type	Combination type
Product family	SEC Family
IEC test classification	I / II T1 / T2
EN type	T1 / T2
IEC power supply system	TN-C
Type	DIN rail module, two-section, divisible
Number of positions	3
Surge protection fault message	Optical, remote indicator contact

### Insulation characteristics

Overvoltage category	III
Pollution degree	2

### Electrical properties

Nominal frequency $f_N$	50 Hz (60 Hz)
-------------------------	---------------

### Indicator/remote signaling

Connection name	Remote fault indicator contact
Switching function	Changeover contact
Operating voltage	12 V AC ... 250 V AC 125 V DC (200 mA DC)
Operating current	10 mA AC ... 1 A AC 1 A DC (30 V DC)

### Connection data

Connection method	Screw connection
Screw thread	M5
Tightening torque	4.5 Nm
Stripping length	18 mm
Conductor cross section flexible	2.5 mm <sup>2</sup> ... 35 mm <sup>2</sup>
Conductor cross section rigid	2.5 mm <sup>2</sup> ... 35 mm <sup>2</sup>
Conductor cross section AWG	13 ... 2
Connection method	Fork-type cable lug
Conductor cross section flexible	1.5 mm <sup>2</sup> ... 16 mm <sup>2</sup>

### Remote fault indicator contact

Connection method	Plug-in/screw connection via COMBICON
Screw thread	M2
Tightening torque	0.25 Nm

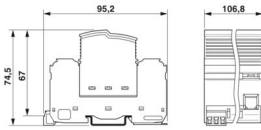
# FLT-SEC-P-T1-3C-264/50-FM - Type 1+2 combined lightning current and surge arrester

2907390

<https://www.phoenixcontact.com/us/products/2907390>

Stripping length	7 mm
Conductor cross section flexible	0.14 mm <sup>2</sup> ... 1.5 mm <sup>2</sup>
Conductor cross section rigid	0.14 mm <sup>2</sup> ... 1.5 mm <sup>2</sup>
Conductor cross section AWG	28 ... 16

## Dimensions

Dimensional drawing	
Width	106.8 mm
Height	95.2 mm
Depth	74.5 mm (incl. DIN rail 7.5 mm)
Horizontal pitch	6 Div.

## Material specifications

Color (Male connector)	light grey (RAL 7035)
Color (Base element)	gray (RAL 7042)
Flammability rating according to UL 94	V-0
CTI value of material	600
Insulating material	PA6.6-FR 20% GF PBT-FR
Material group	I
Housing material	PA 6.6-FR 20 % GF PBT-FR

## Mechanical properties

### Mechanical data

Open side panel	No
-----------------	----

## Protective circuit

Mode of protection	L-PEN
Direction of action	3L-N/PE
Nominal voltage $U_N$	240/415 V AC (TN-C)
Nominal frequency $f_N$	50 Hz (60 Hz)
Maximum continuous voltage $U_C$	264 V AC
Rated load current $I_L$	125 A (< 55 °C)
Nominal discharge current $I_n$ (8/20) $\mu$ s	50 kA
Maximum discharge current $I_{max}$ (8/20) $\mu$ s	100 kA
Impulse discharge current (10/350) $\mu$ s, charge	25 As
Impulse discharge current (10/350) $\mu$ s, specific energy	625 kJ/ $\Omega$

# FLT-SEC-P-T1-3C-264/50-FM - Type 1+2 combined lightning current and surge arrester



2907390

<https://www.phoenixcontact.com/us/products/2907390>

Impulse discharge current (10/350) $\mu$ s, peak value $I_{imp}$	50 kA
Follow current interrupt rating $I_{fi}$	50 kA
Short-circuit current rating $I_{SCCR}$	50 kA
Voltage protection level $U_p$	$\leq 2.5$ kV
Residual voltage $U_{res}$	$\leq 2.5$ kV (at $I_n$ )
Front of wave sparkover voltage at 6 kV (1.2/50) $\mu$ s	$\leq 2.5$ kV
TOV behavior at $U_T$	415 V AC (5 s / withstand mode)
	760 V AC (120 min / withstand mode)
Response time $t_A$	$\leq 100$ ns
Max. backup fuse with V-type through wiring	125 A (gG)
Max. backup fuse with branch wiring	500 A (gG)

## Environmental and real-life conditions

### Ambient conditions

Degree of protection	IP20 (only when all terminal points are used)
Ambient temperature (operation)	-40 °C ... 80 °C
Ambient temperature (storage/transport)	-40 °C ... 80 °C
Altitude	$\leq 2000$ m (amsl)
Permissible humidity (operation)	5 % ... 95 %
Shock (operation)	30g (Half-sine / 11 ms / 3x $\pm$ X, $\pm$ Y, $\pm$ Z)
Vibration (operation)	5g (5 - 500 Hz/2.5 h/X, Y, Z)

## Approvals

### UL specifications

Maximum continuous operating voltage MCOV (L-L)	528 V AC
Maximum continuous operating voltage MCOV (L-G)	264 V AC
Short-circuit current rating (SCCR)	50 kA
Voltage protection rating VPR (L-L)	2500 V
Voltage protection rating VPR (L-G)	1500 V
Nominal discharge current $I_n$	20 kA
Mode of protection	L-L
	L-G
Nominal voltage	240 V AC
	240/415 V AC
Rated load current $I_L$	50 A
Power distribution system	Delta
	Wye
Nominal frequency	50/60 Hz
SPD Type	2CA

### UL indicator/remote signaling

Operating voltage	125 V AC
-------------------	----------

# FLT-SEC-P-T1-3C-264/50-FM - Type 1+2 combined lightning current and surge arrester



2907390

<https://www.phoenixcontact.com/us/products/2907390>

AC operating current	1 A AC
----------------------	--------

## UL connection data

Tightening torque	40 lb <sub>F</sub> in.
Conductor cross section AWG	3 ... 2

## Standards and regulations

Standards/specifications	IEC 61643-11
Note	2011

## EN 61643-11

Standards/specifications	EN 61643-11
Note	2012

## Mounting

Mounting type	DIN rail: 35 mm
---------------	-----------------

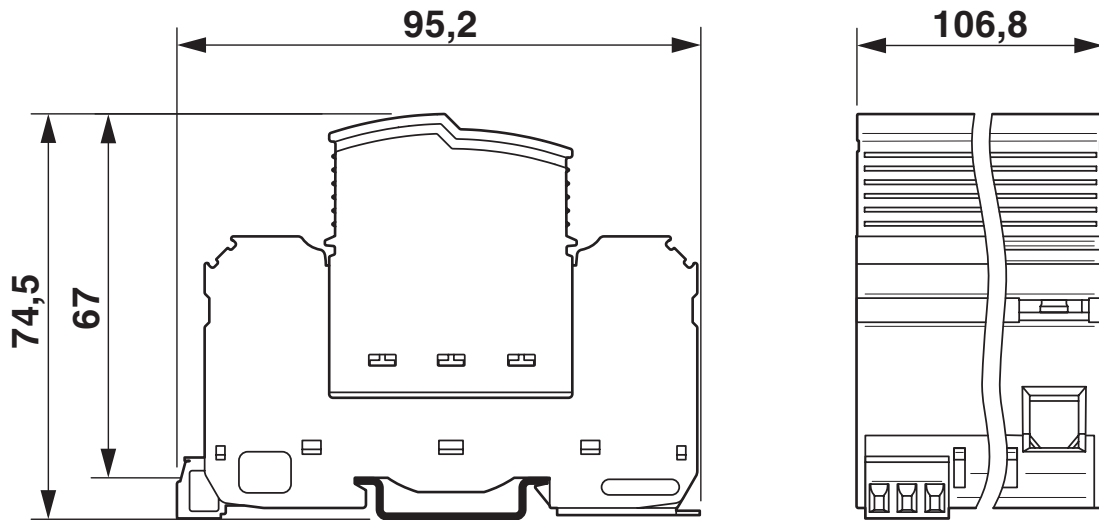
# FLT-SEC-P-T1-3C-264/50-FM - Type 1+2 combined lightning current and surge arrester

2907390

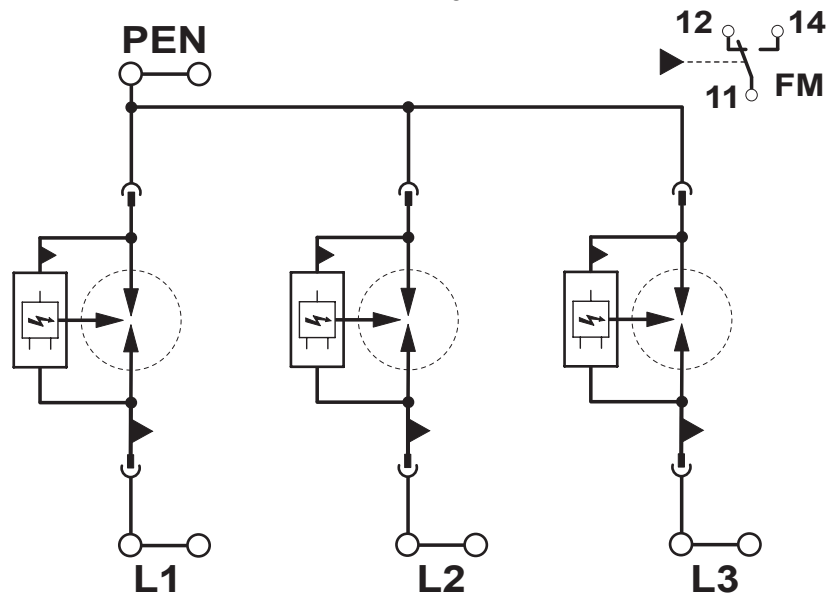
<https://www.phoenixcontact.com/us/products/2907390>

## Drawings

Dimensional drawing



Circuit diagram



# FLT-SEC-P-T1-3C-264/50-FM - Type 1+2 combined lightning current and surge arrester



2907390

<https://www.phoenixcontact.com/us/products/2907390>

## Approvals

To download certificates, visit the product detail page: <https://www.phoenixcontact.com/us/products/2907390>



**cUL Recognized**  
Approval ID: FILE E 330181



**UL Recognized**  
Approval ID: FILE E 330181



**EAC**  
Approval ID: RU C-DE.\*09.B.00169

**UAE-RoHS**

Approval ID: 23-10-88709

**cULus Recognized**

# FLT-SEC-P-T1-3C-264/50-FM - Type 1+2 combined lightning current and surge arrester



2907390

<https://www.phoenixcontact.com/us/products/2907390>

## Classifications

### ECLASS

ECLASS-11.0	27130802
ECLASS-13.0	27171201

### ETIM

ETIM 9.0	EC000381
----------	----------

### UNSPSC

UNSPSC 21.0	39121600
-------------	----------



# FLT-SEC-P-T1-3C-264/50-FM - Type 1+2 combined lightning current and surge arrester



2907390

<https://www.phoenixcontact.com/us/products/2907390>

## Environmental product compliance

### EU RoHS

Fulfills EU RoHS substance requirements	Yes, No exemptions
---	--------------------

### China RoHS

Environment friendly use period (EFUP)	EFUP-E
	No hazardous substances above the limits

### EU REACH SVHC

REACH candidate substance (CAS No.)	No substance above 0.1 wt%
-------------------------------------	----------------------------

# FLT-SEC-P-T1-3C-264/50-FM - Type 1+2 combined lightning current and surge arrester



2907390

<https://www.phoenixcontact.com/us/products/2907390>

## Accessories

### CLIPFIX 35 - End bracket

3022218

<https://www.phoenixcontact.com/us/products/3022218>



Quick mounting end clamp for NS 35/7,5 DIN rail or NS 35/15 DIN rail, with marking option, width: 9.5 mm, color: gray

---

### EML (20XE)R - Label

0803452

<https://www.phoenixcontact.com/us/products/0803452>



Label, Roll, white, unlabeled, can be labeled with: THERMOMARK E.300 (D)/600 (D), THERMOMARK ROLL 2.0, THERMOMARK ROLL, THERMOMARK ROLL X1, THERMOMARK ROLLMASTER 300/600, THERMOMARK X1.2, mounting type: adhesive, lettering field size: continuous x 20 mm, Number of individual labels: 1

# FLT-SEC-P-T1-3C-264/50-FM - Type 1+2 combined lightning current and surge arrester



2907390

<https://www.phoenixcontact.com/us/products/2907390>

## EML (20XE)R YE - Label

0803453

<https://www.phoenixcontact.com/us/products/0803453>



Label, Roll, yellow, unlabeled, can be labeled with: THERMOMARK E.300 (D)/600 (D), THERMOMARK ROLL 2.0, THERMOMARK ROLL, THERMOMARK ROLL X1, THERMOMARK ROLLMASTER 300/600, THERMOMARK X1.2, mounting type: adhesive, lettering field size: continuous x 20 mm, Number of individual labels: 1

---

## ZBN 18:UNBEDRUCKT - Zack marker strip

2809128

<https://www.phoenixcontact.com/us/products/2809128>



Zack marker strip, Strip, white, unlabeled, can be labeled with: CMS-P1-PLOTTER, PLOTMARK, mounting type: snapped, for terminal block width: 18 mm, lettering field size: 18 x 5 mm, Number of individual labels: 5

# FLT-SEC-P-T1-3C-264/50-FM - Type 1+2 combined lightning current and surge arrester



2907390

<https://www.phoenixcontact.com/us/products/2907390>

## ZBN 18,LGS:L1-N,ERDE - Marker for terminal blocks

2749576

<https://www.phoenixcontact.com/us/products/2749576>



Marker for terminal blocks, Strip, white, labeled, horizontal: L1, L2, L3, N, GND, mounting type: snapped, for terminal block width: 18 mm, lettering field size: 18 x 5 mm, Number of individual labels: 5

---

## ZBN 18,LGS:ERDE - Marker for terminal blocks

2749589

<https://www.phoenixcontact.com/us/products/2749589>



Marker for terminal blocks, Strip, white, labeled, horizontal: Grounding symbol, mounting type: snapped, for terminal block width: 18 mm, lettering field size: 18 x 5 mm, Number of individual labels: 5

# FLT-SEC-P-T1-3C-264/50-FM - Type 1+2 combined lightning current and surge arrester



2907390

<https://www.phoenixcontact.com/us/products/2907390>

## ZBFM 5/WH:UNBEDRUCKT - Flat zack marker sheet

0803595

<https://www.phoenixcontact.com/us/products/0803595>

Flat zack marker sheet, Sheet, white, unlabeled, can be labeled with: CMS-P1-PLOTTER, PLOTMARK, mounting type: snapped, for terminal block width: 5.2 mm, lettering field size: 5 x 4.5 mm, Number of individual labels: 120



---

## ZBN 18 CUS - Zack marker strip

0825059

<https://www.phoenixcontact.com/us/products/0825059>

Zack marker strip, can be ordered: Strip, white, labeled according to customer specifications, mounting type: snap into tall marker groove, for terminal block width: 18 mm, lettering field size: 18 x 5 mm, Number of individual labels: 5



# FLT-SEC-P-T1-3C-264/50-FM - Type 1+2 combined lightning current and surge arrester



2907390

<https://www.phoenixcontact.com/us/products/2907390>

## X-PEN 0,35 - Marker pen

0811228

<https://www.phoenixcontact.com/us/products/0811228>



Marker pen without ink cartridge, for manual labeling of markers, labeling extremely wipe-proof, line thickness 0.35 mm

---

## SZK PZ2 VDE - Screwdriver

1206463

<https://www.phoenixcontact.com/us/products/1206463>



Screwdriver, PZ crosshead, VDE insulated, size: PZ 2 x 100 mm, 2-component grip, with non-slip grip

# FLT-SEC-P-T1-3C-264/50-FM - Type 1+2 combined lightning current and surge arrester



2907390

<https://www.phoenixcontact.com/us/products/2907390>

## FLT-SEC-P-T1-264/50-P - Type 1 surge protection plug

2907391

<https://www.phoenixcontact.com/us/products/2907391>



Replacement plug for lightning current arresters from the FLASHTRAB SEC PLUS 264 product range, for L-N and L-PEN paths.

---

Phoenix Contact 2024 © - all rights reserved  
<https://www.phoenixcontact.com>

Phoenix Contact USA  
586 Fulling Mill Road  
Middletown, PA 17057, United States  
(+717) 944-1300  
[info@phoenixcon.com](mailto:info@phoenixcon.com)