

## Technical Characteristics

### Part Number

#### Han 3A Kit

Hood	Top Entry
Housing	Angled Bulkhead
Hood/Housing Material	Plastic
IP / NEMA	IP65 / 4, 4x, 12
Temp Rating	-40 to +125C
Cable Gland	M20 Plastic
Cable Diameter	5-9mm / 6-12mm
Insert	3+GND
Screw Terminals	18-14AWG
Wire Strip Length	4.5mm
Mating Cycles	> 500
Flammability	V-0

**10 20 003 0004**

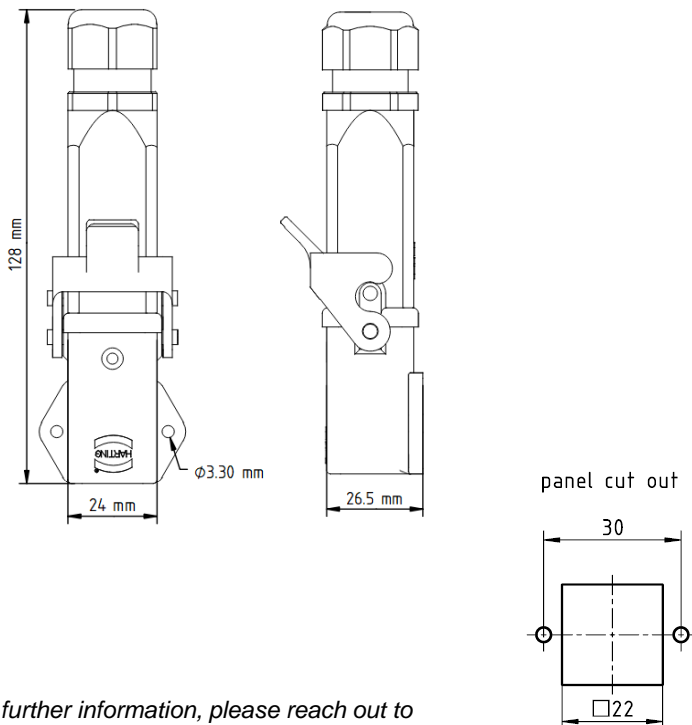


#### Electrical Characteristics

Rated Current	10amps
Rated Voltage	600V UL
Rated Impulse Voltage	4kV

## Drawings and Assembly Information

Dimensions in mm



For further information, please reach out to [techsupportUS@HARTING.com](mailto:techsupportUS@HARTING.com)

#### Tooling and Torque Values

Type	Tool	Torque (Nm)
Terminal Screws (M3)	Slotted 0.4 x 2.5	0.25
Fixing Screw (M3)	Slotted 0.4 x 2.5	0.25
Mounting Screws (M3 recommended)	-	0.8...1.0
Cable Gland (M20)	SW 24	4.5

#### Kit Contents

Male Insert	09 20 003 2611
Female insert	09 20 003 2711
Housing	09 20 003 0820
Hood	19 20 003 0420
Cable Gland*	19 00 000 5180 (5-9mm)
	19 00 000 5182 (6-12mm)
Screws (x2)	09 20 000 9918

\*kit content include one gland with multiple grommets