



## 318A CABLE ASSEMBLY

Industrial cable for the 8011, 8021 and 8711 condition monitoring accelerometers. The 318A cable includes a 2-pin connector with molded 90° backshell to pigtail leads. It features 2x #22 AWG FEP insulated conductors, braided shield and a flexible TPE jacket. Cables come in standard lengths of 10ft, 20ft, and 30ft. Contact factory for custom cable lengths.

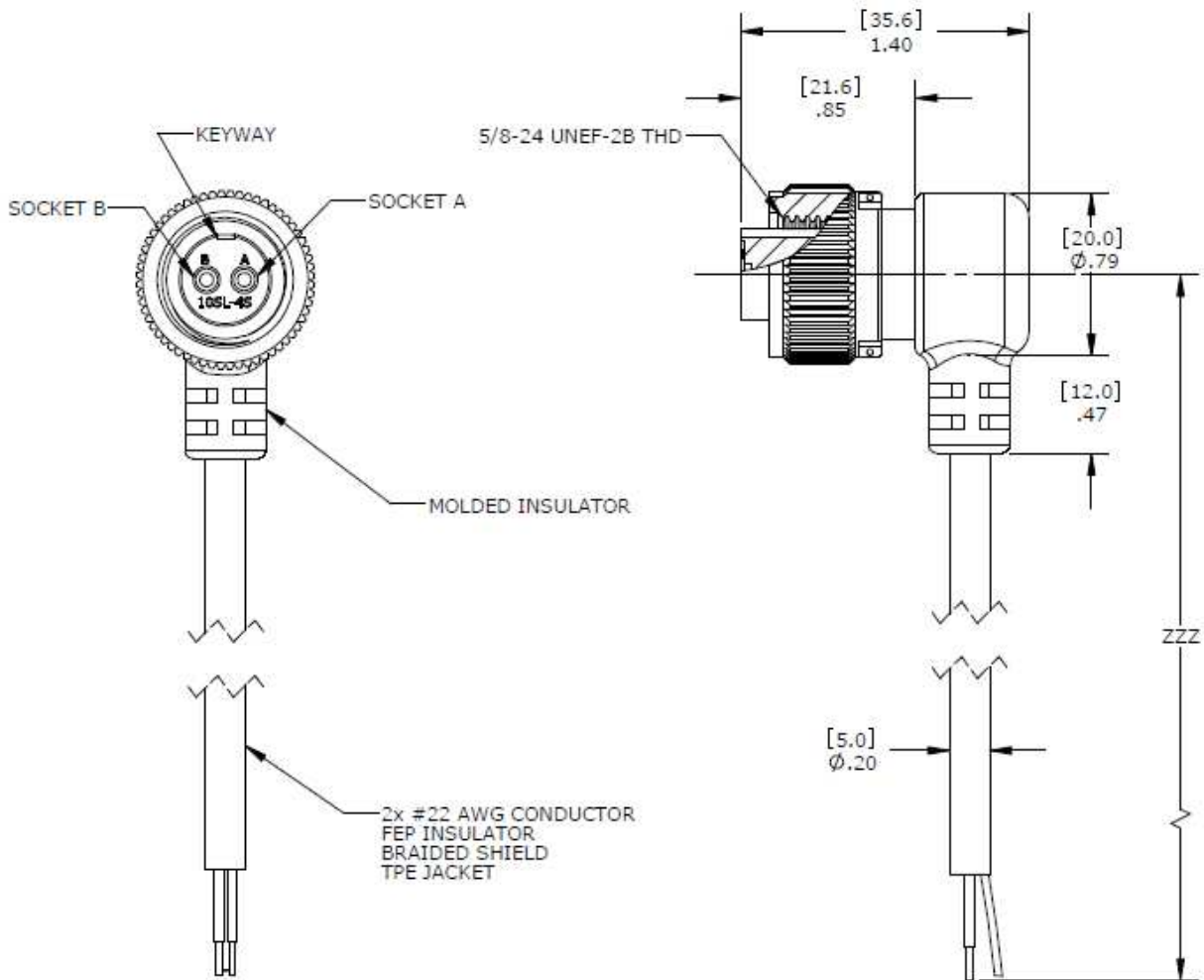
### FEATURES

- TPE Jacket
- FEP Insulated #22 AWG Conductors
- TPC Braided Shield
- Molded 90° Backshell
- -50°C to +125°C Temp Range

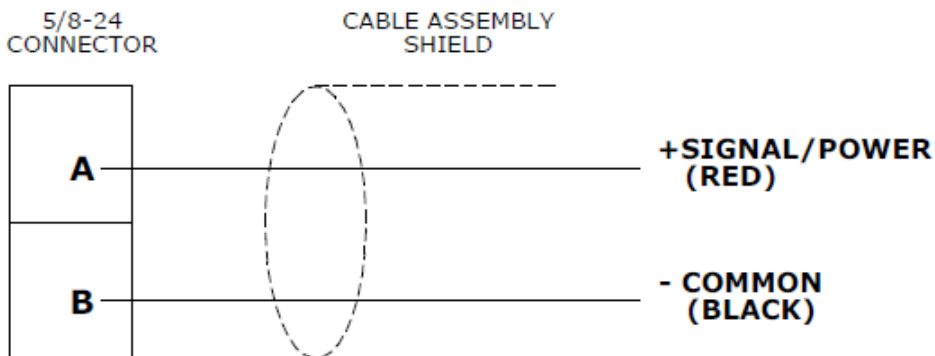
### APPLICATIONS

- Industrial Applications
- Machine Monitoring
- General Purpose
- Gearbox Monitoring

DIMENSIONS



SCHEMATIC



### ORDERING INFORMATION

318A - ZZZ

#### Cable length

120=120 inches (10ft)

240=240 inches (20ft)

360=360 inches (30ft)

Example; 318A-120

Model 318A cable, 120inch cable length (standard length typically in stock)

#### NORTH AMERICA

Measurement Specialties, Inc.,  
a TE Connectivity Company  
Tel: 800-522-6752  
[customercare.akn@te.com](mailto:customercare.akn@te.com)

#### EUROPE

MEAS France SAS  
a TE Connectivity Company  
Tel: +31 73 624 6999  
[customercare.lcsb@te.com](mailto:customercare.lcsb@te.com)

#### ASIA

Measurement Specialties (China), Ltd.,  
a TE Connectivity Company  
Tel: 0400-820-6015  
[customercare.shzn@te.com](mailto:customercare.shzn@te.com)

#### [te.com/sensorsolutions](http://te.com/sensorsolutions)

TE Connectivity, TE, and the TE connectivity (logo) are trademarks of the TE Connectivity Ltd. family of companies. Other logos, products and/or company names referred to herein may be trademarks of their respective owners.

The information given herein, including drawings, illustrations and schematics which are intended for illustration purposes only, is believed to be reliable. However, TE Connectivity makes no warranties as to its accuracy or completeness and disclaims any liability in connection with its use. TE Connectivity's obligations shall only be as set forth in TE Connectivity's Standard Terms and Conditions of Sale for this product and in no case will TE Connectivity be liable for any incidental, indirect or consequential damages arising out of the sale, resale, use or misuse of the product. Users of TE Connectivity products should make their own evaluation to determine the suitability of each such product for the specific application.

© 2018 TE Connectivity Ltd. family of companies All Rights Reserved.