

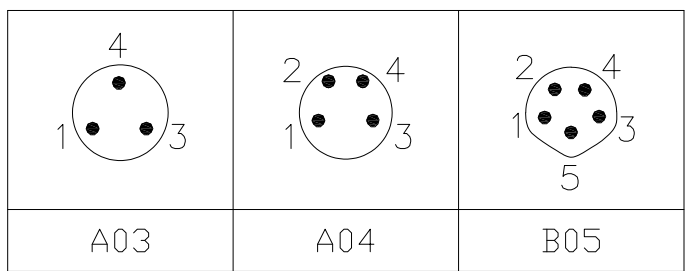
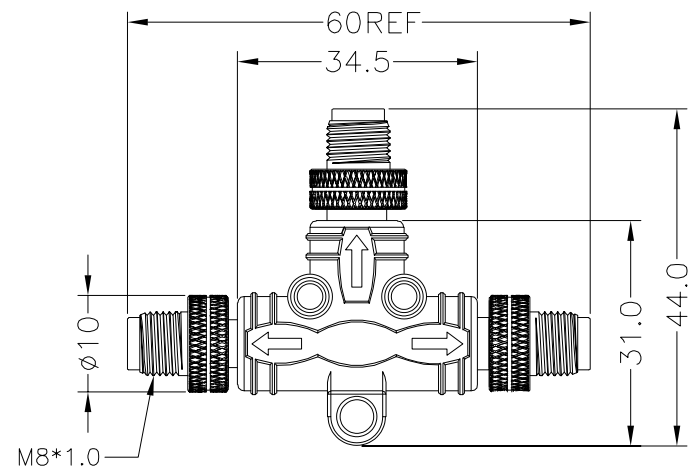
NOTE:

MATERIAL
 M12 INSULATOR PA66, UL94V-0, BLACK
 SPLITTER HOUSING PVC & HD PE, UL94V-0, BLACK
 CONTACT GOLD FLASH PLATED BRASS
 NUT NICKEL PLATED BRASS

ELECTRICAL
 RATED CURRENT 1.5A(5P) / 3A(3/4P)
 VOLTAGE 30V(5P) / 60V(3/4P)
 INSULATOR RESISTANCE 100 MOhms MIN.
 CONTACT RESISTANCE 10 mOhms MAX.
 MATING CYCLES 100 CYCLES MIN

ENVIRONMENT
 OPERATION TEMPERATURE -40°C TO +85°C
 IP RATING IP67 (UNCOUPLED & COUPLED)

RECOMMENDED TORQUE 0.4Nm TO 0.8Nm



T54-YYY-MMMR001

SERIES _____
 T54 = M8 T-SPLIT ADAPTER

CONTACT ARRANGEMENT _____
 A03 = (3X) 3P A-CODE
 A04 = (3X) 4P A-CODE
 B05 = (3X) 5P B-CODE

GENDER _____
 MMM = MALE / MALE / MALE

CONTACT PLATING _____
 1 = GOLD FLASH

RoHS COMPLIANT



THESE DRAWINGS AND SPECIFICATIONS ARE THE PROPERTY OF NorComp AND SHALL NOT BE REPRODUCED, COPIED OR USED AS THE BASIS FOR THE MANUFACTURE OR SALE OF APPARATUS WITHOUT WRITTEN PERMISSION.

DRAWN: J. KADEL
 DATE: 12/20/2021

TOLERANCES
 .x ±0.5
 .xx ±0.2
 ANGULAR ±1°

UNITS = mm

DO NOT SCALE FROM DRAWING



SCALE: NTS	SHEET 1 OF 1	REV 2
DWG NO. T54-YYY-MMMR001		