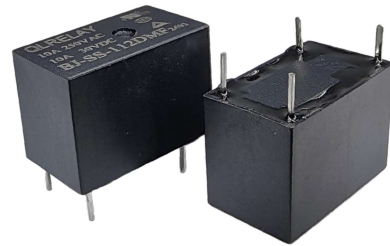


## Power Relay Series 功率继电器系列 --BJ

### FEATURES特点

- Up to 5A contact switching capability  
高达 5A 触点切换能力
- 4.0kV dielectric strength(between coil and contacts)  
线圈与触点间介质耐压4.0kV
- Plastic sealed and water proofed types  
塑封型与防水型可供选择
- Overall dimensions (17.6X10.1X12.3) mm.  
外形尺寸 (17.6X10.1X12.3 ) mm。



### CONTACT PARAMETERS触点参数

Contact Form触点形式	BJ
	A-1组常开
Rating Load (Resistive) 额定负载 (阻性)	5A 250VAC/30VDC
Max. Switching Current最大切换电流	5A
Max.Switching Voltage最大切换电压	1250VAC
Max.Switching Power最大切换功率	1,250VA/150W

### CHARACTERISTICS性能参数

Contact Materials触点材料	Ag Alloy银合金	
Contact Resistance接触电阻	50mΩ Max	
Operate Time吸合时间	8ms. Max	
Release Time释放时间	5ms. Max	
Insulation Resistance绝缘电阻	1000MΩ Min.(DC500V)	
Initial Dielectric Strength介质耐压	between open contacts: 触点与触点间:	AC1,000V,50/60Hz 1Min
	between contacts and coil: 触点与线圈间:	AC4,000V,50/60Hz 1Min
Vibration Resistance抗振动	Damage limits: 耐久:	10~55Hz Double Amplitude双振幅1.5mm
	Malfunction: 误动作:	10~55Hz Double Amplitude双振幅1.5mm
Shock Resistance抗冲击	Damage limits: 耐久:	10G Min
	Malfunction: 误动作:	100G Min
Life寿命	Mechanical Life (10800 per hour) 机械寿命 (每小时10800次)	1×10 <sup>7</sup>
	Electrical Life (1800 per hour) 电气寿命 (每小时1800次)	1×10 <sup>5</sup>
Ambient Temperature环境温度	-40℃ ~ +105℃ (No condensation) (不冷凝)	
Unit Weight单位重量	约Approx.4.6g	

## COIL RATINGS (at 23°C) 线圈参数 (在23°C)

Coil Nominal Voltage 额定电压 (VDC)	Nominal Current 额定电流 ±10%(mA)	Coil Resistance 线圈电阻 ±10% (Ω)	Max. Continuous Voltage 最大连续外加电压	Pick-Up Voltage 吸合电压 (Max)	Drop-Out Voltage 释放电压 (Min)	Rated power 额定功率
3	150.00	20	Coil Nominal Voltage 130% 额定电压的 130	Coil Nominal Voltage 75% 额定电压的 75%	Coil Nominal Voltage 10% 额定电压的 10%	About 0.45 W 约0.45W
5	90.00	55				
6	75.00	80				
9	50.00	180				
12	37.00	320				
18	25.00	720				
24	18.75	1280				
48	9.38	5120				
3	66.67	45	Coil Nominal Voltage 130% 额定电压的 130%	Coil Nominal Voltage 75% 额定电压的 75%	Coil Nominal Voltage 10% 额定电压的 10%	About 0.2 W 约0.2W
5	40.00	125				
6	33.33	180				
9	22.50	400				
12	16.67	720				
18	11.25	1600				
24	8.57	2800				

## ORDERING INFORMATION 订货标记

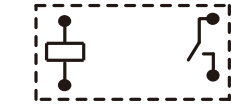
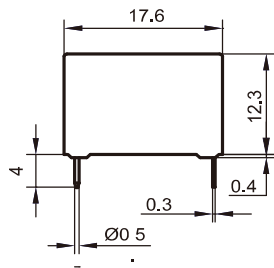
BJ - SS - 1 12 D M (11) 1 2 3 4 5 6 7	
1. Model Number 基本型号 BJ	5. Coil Power: D-0.45 W, L-0.2W 线圈功率: D-0.45 W, L-0.2W
2. Encapsulation form: SS - Plastic Sealed 封装形式: SS - 塑封型	6. Contact form: M- FormA 触点形式: M- 常开型
3. Number or pole: 1 - 1 pole 触点组数: 1-1组触点	7. Induces foot position: 11 - 1 foot position 12 - 2 foot position 引出脚脚位: 11 - 1型脚 12 - 2型脚
4. Coil Voltage 线圈规格 (VDC): DC5V, DC6V, DC9V, DC12V, DC18V, DC24V	

## SAFETY STANDARD 安规认证

Auth Type Basic 认证类别	UL	TUV	CQC
Authentication Load 认证负载	5A/250VAC	10A/125VAC 5A/250VAC	5A/250VAC 5A/30VDC

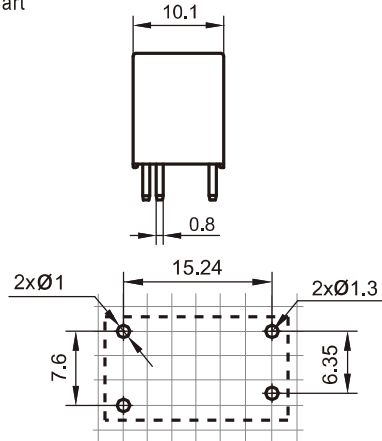
## OUTLINE DIMENSIONS (UNIT:mm)外形尺寸 (单位: mm)

A group of regular, type 1 feet  
一组常开、1型脚位



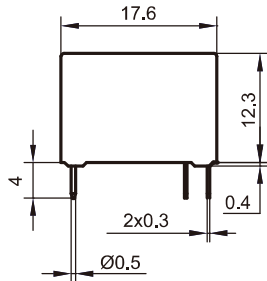
Wiring diagram (bottom view)  
接线图 (底视图)

External Chart  
外形图



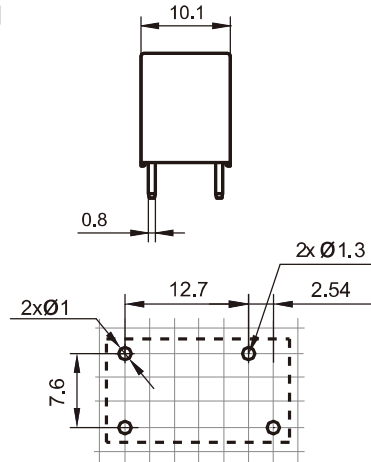
Mounting hole size (bottom view)  
安装孔尺寸 (底视图)

A group of regular, type 2 feet  
一组常开、2型脚位



Wiring diagram (bottom view)  
接线图 (底视图)

External Chart  
外形图



Mounting hole size (bottom view)  
安装孔尺寸 (底视图)

Undimensioned tolerance: <1mm: ±0.2mm 1~5mm: ±0.3mm >5mm: ±0.4mm  
未标注尺寸公差: <1mm: ±0.2mm 1~5mm: ±0.3mm >5mm: ±0.4mm

Note: 1. The size of the lead foot is pre welding dimension. 注: 1、引出脚尺寸为预焊前尺寸  
2. installation hole size tolerance: +0.1mm 2、安装孔尺寸公差: ±0.1mm

## TYPICAL USE 典型用途

- Household equipment, Office equipment, Audio, Smart home, Smart socket, Etc..
- 家用设备, 办公设备, 音响, 智能家居, 智能插座等

## PERFORMANCE CHART 性能曲线图

