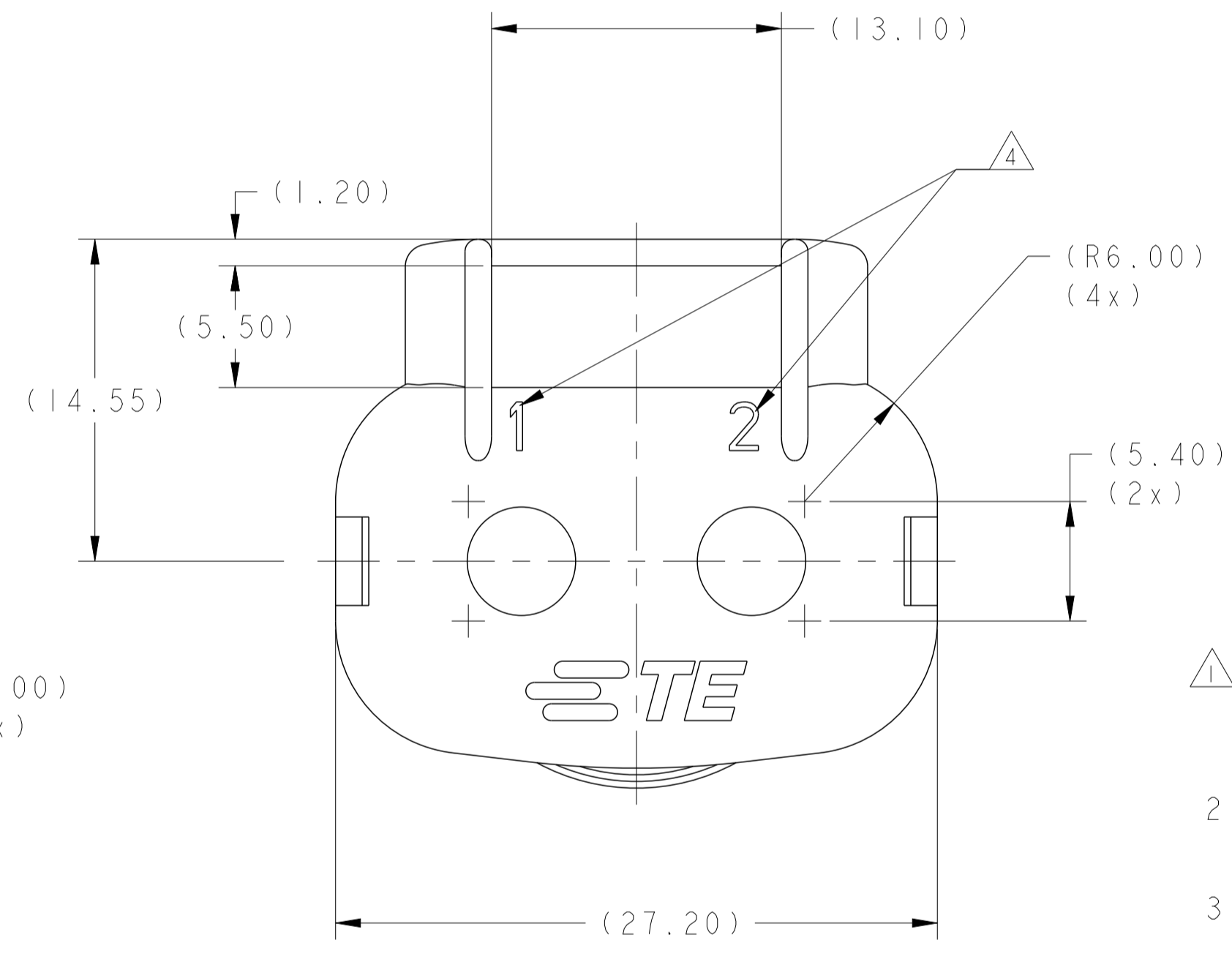
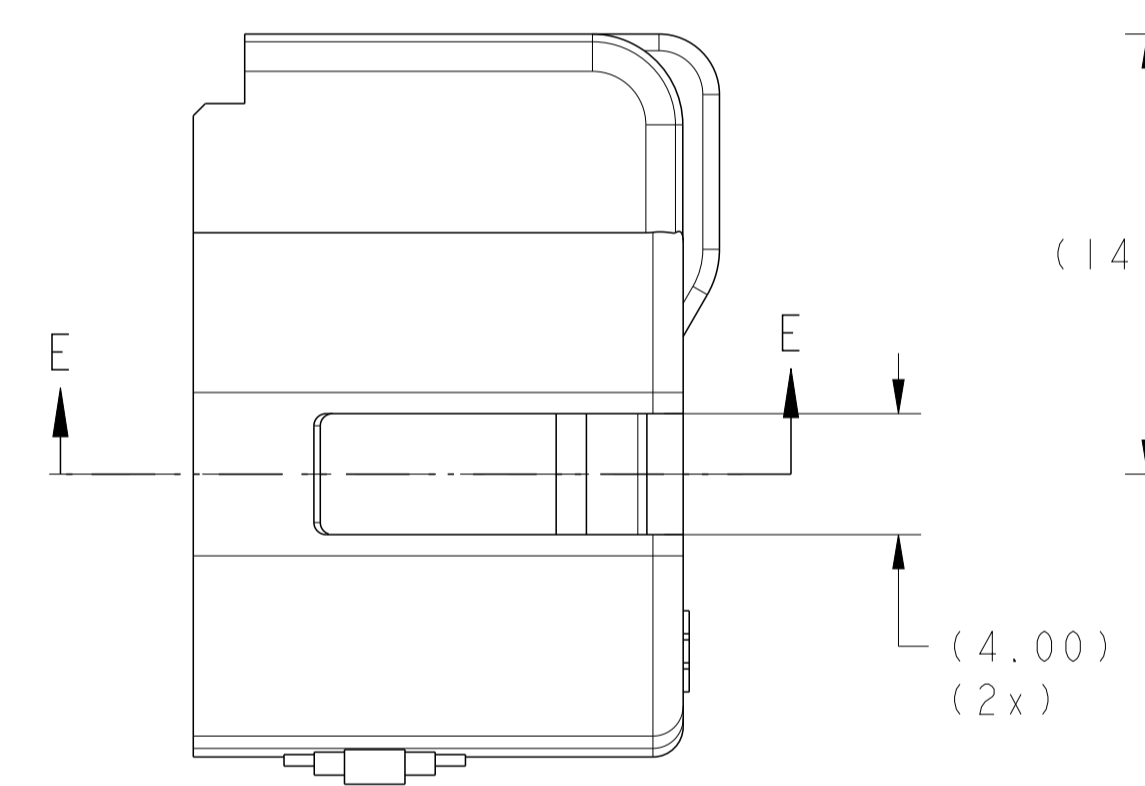
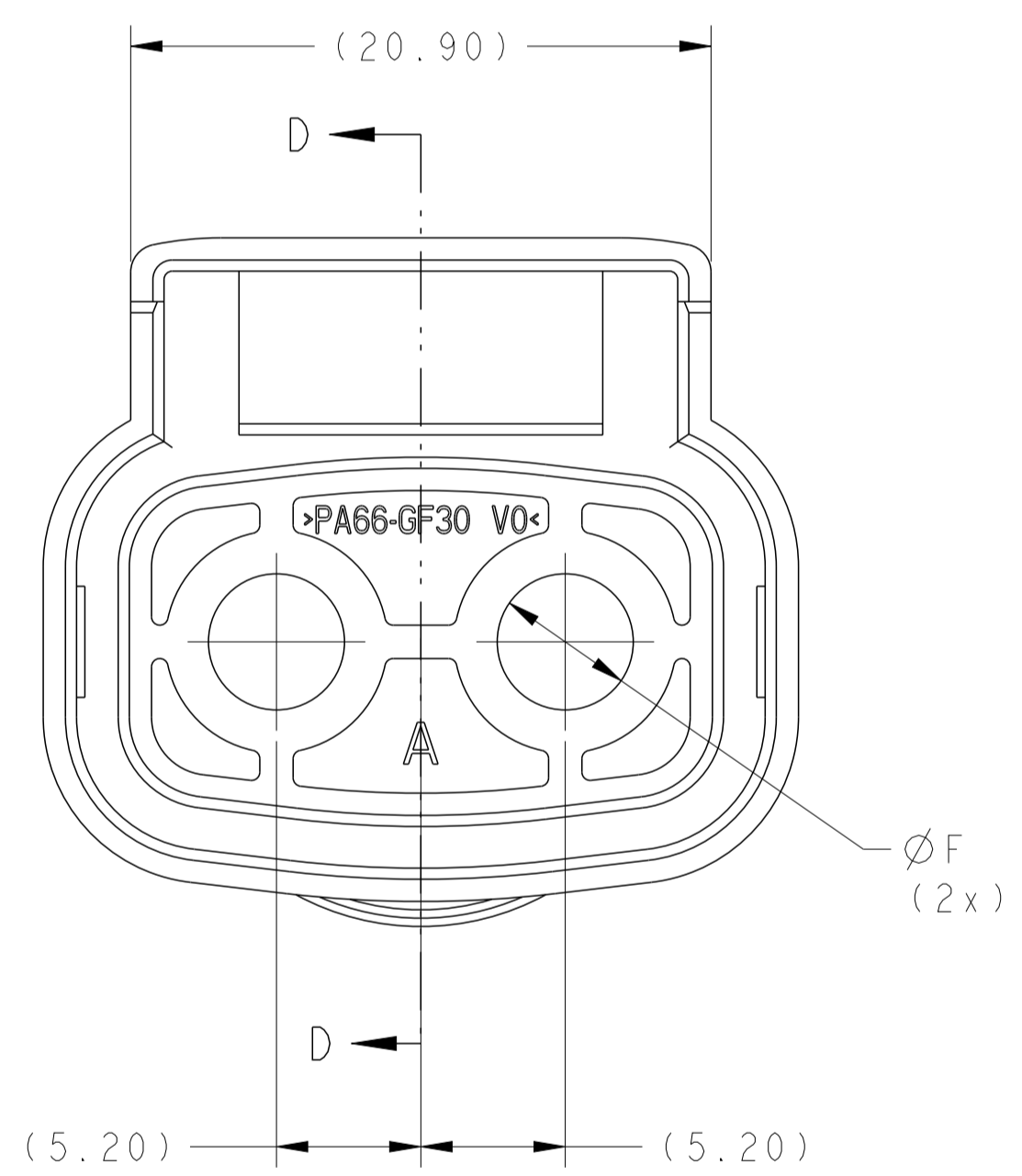
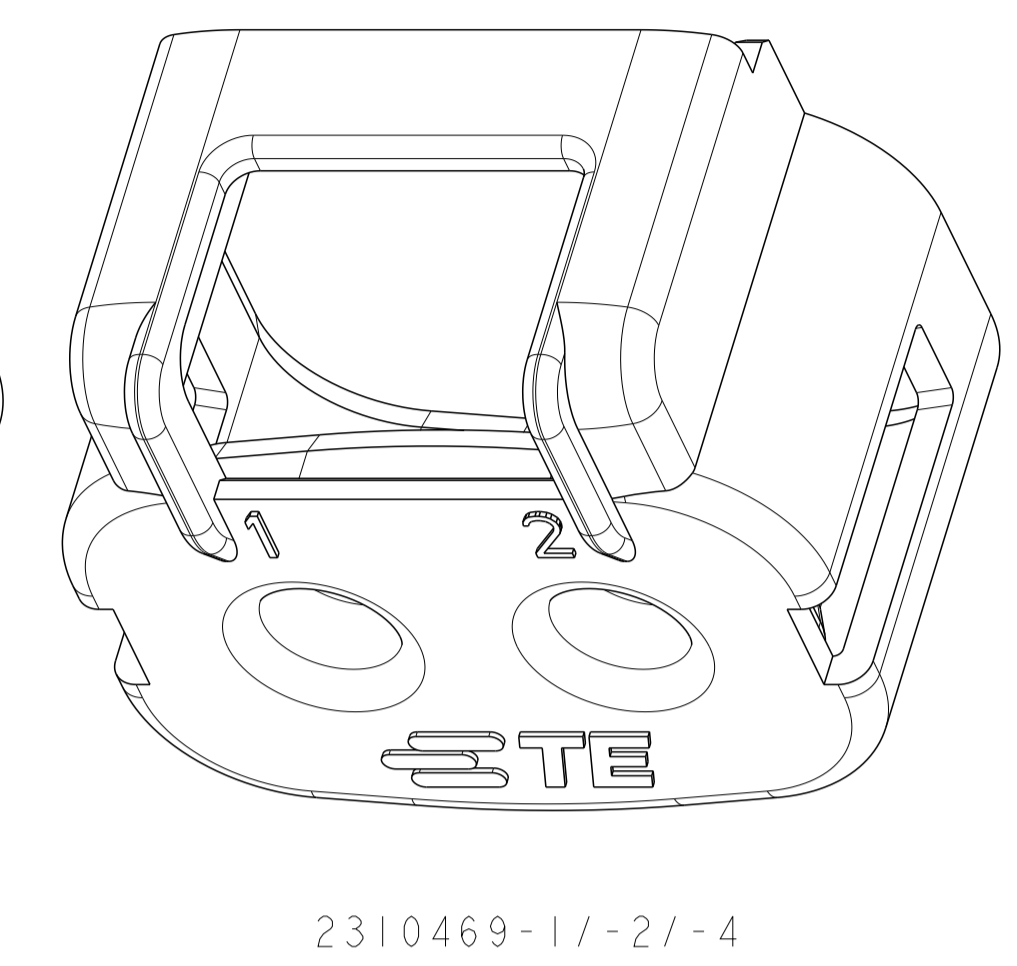
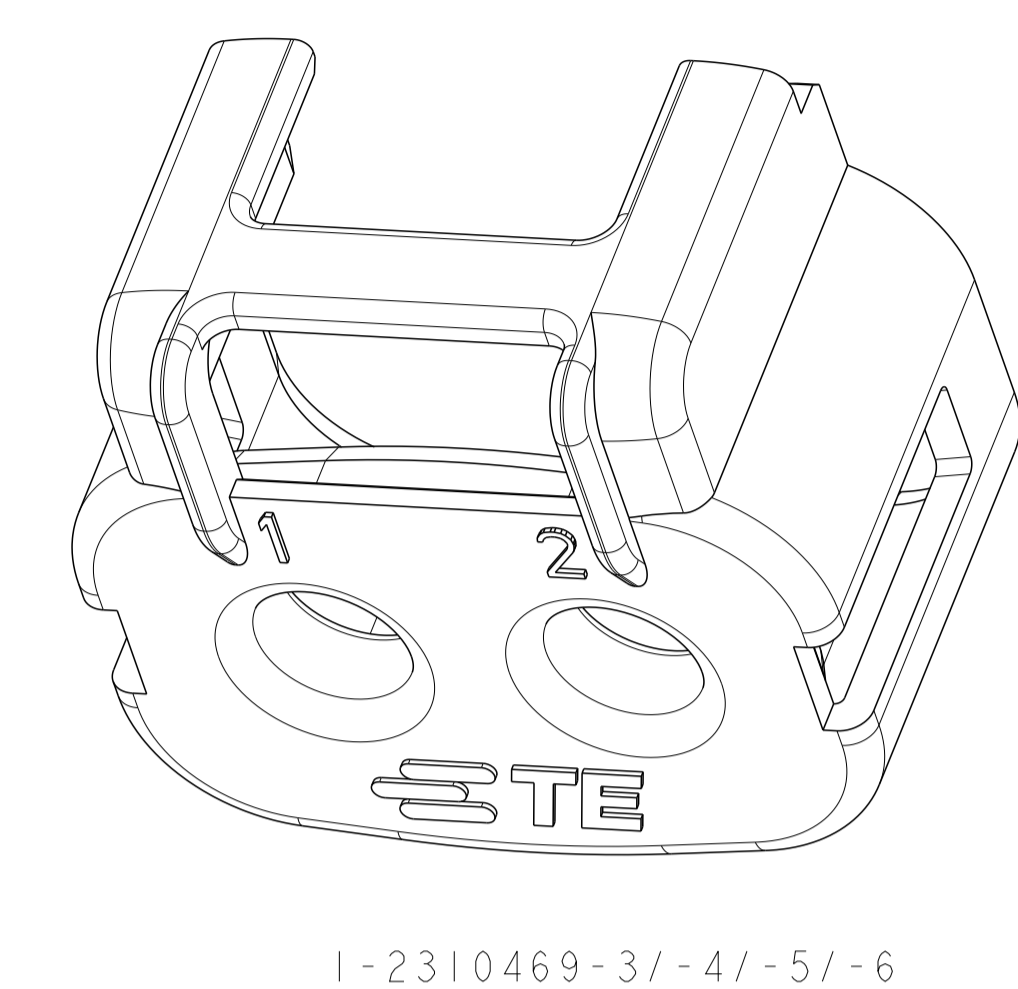
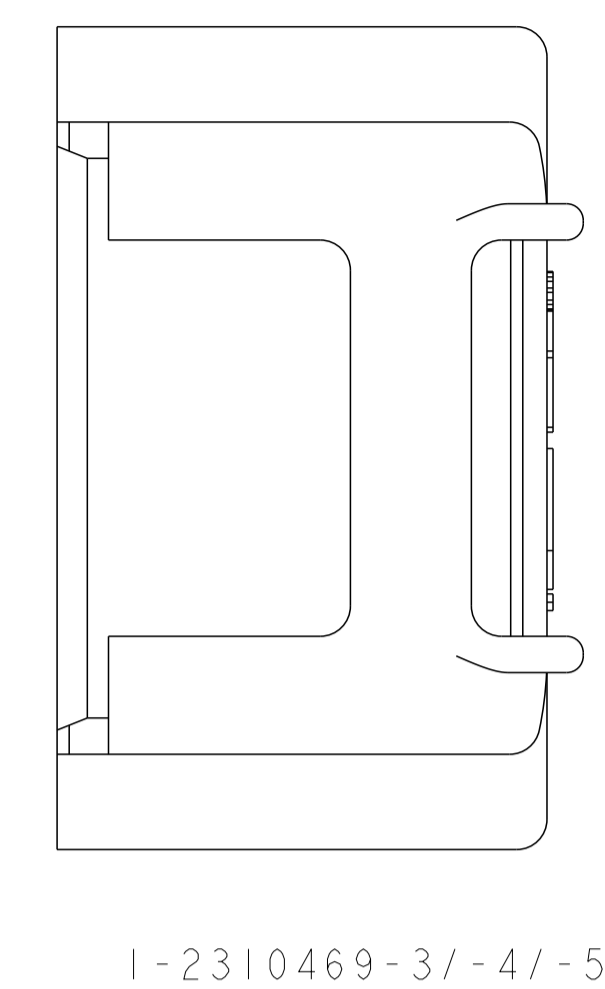
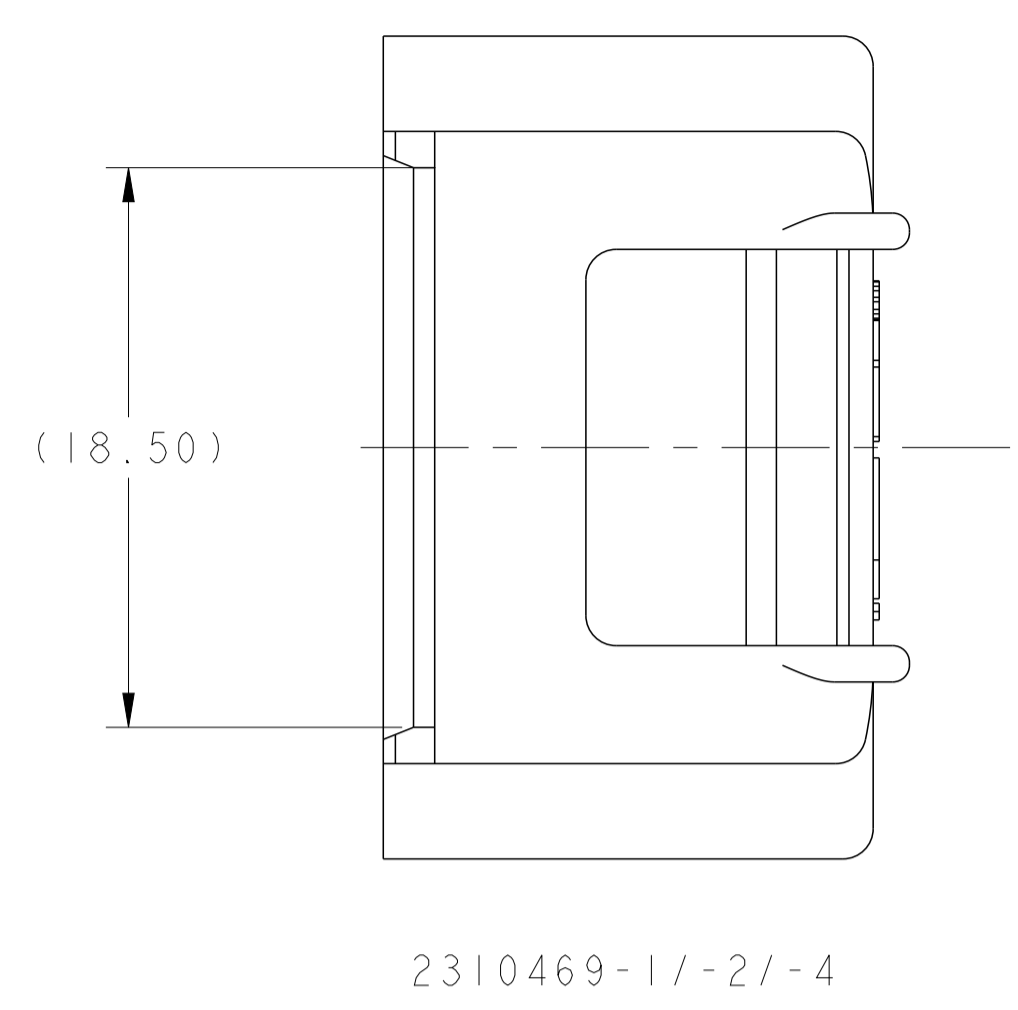
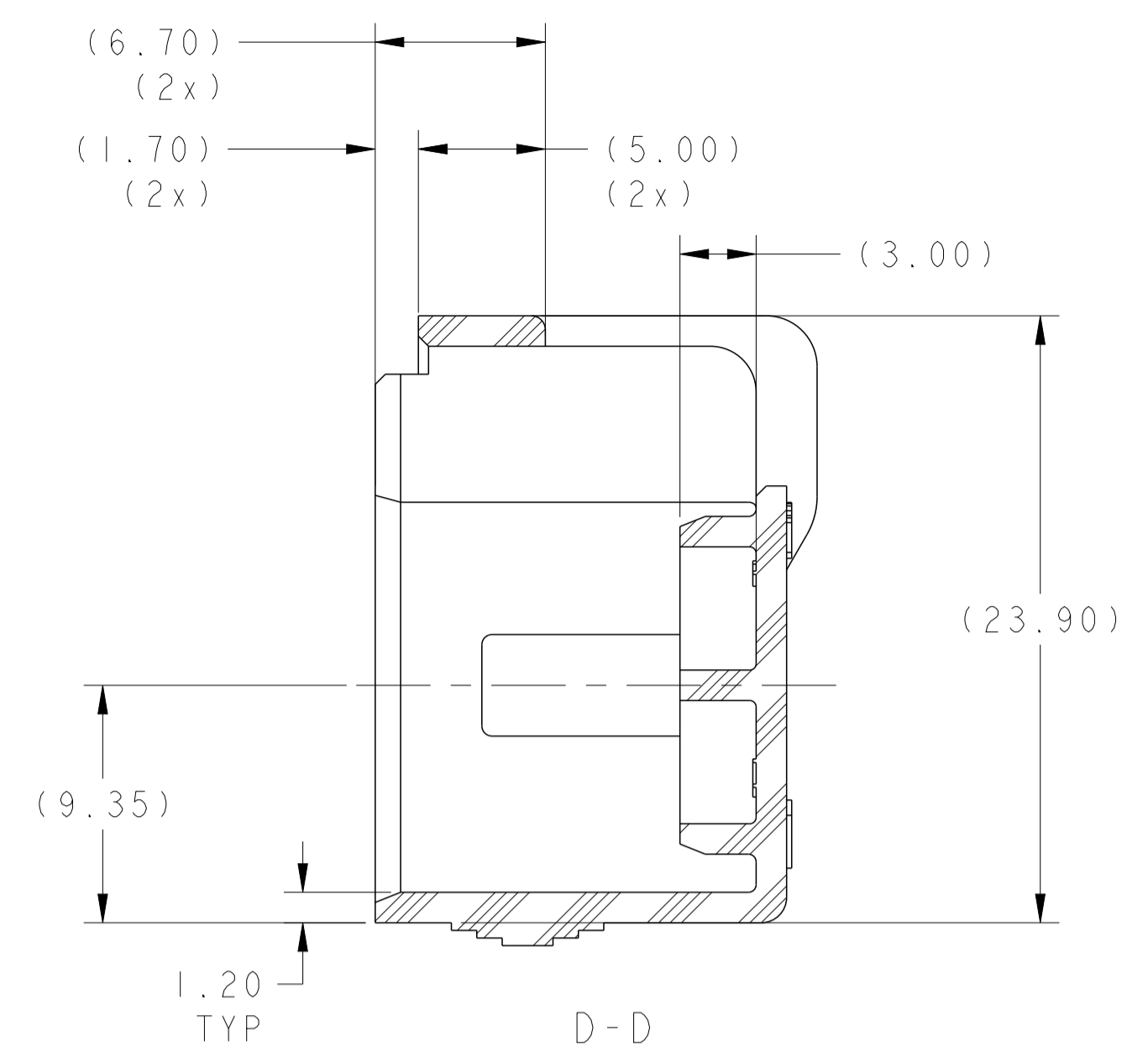
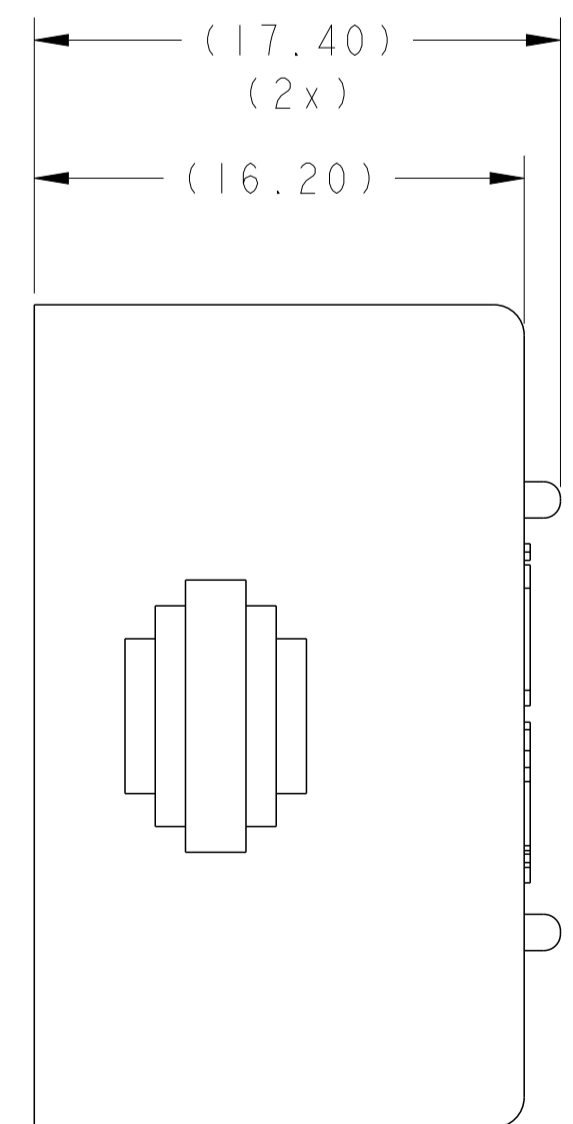
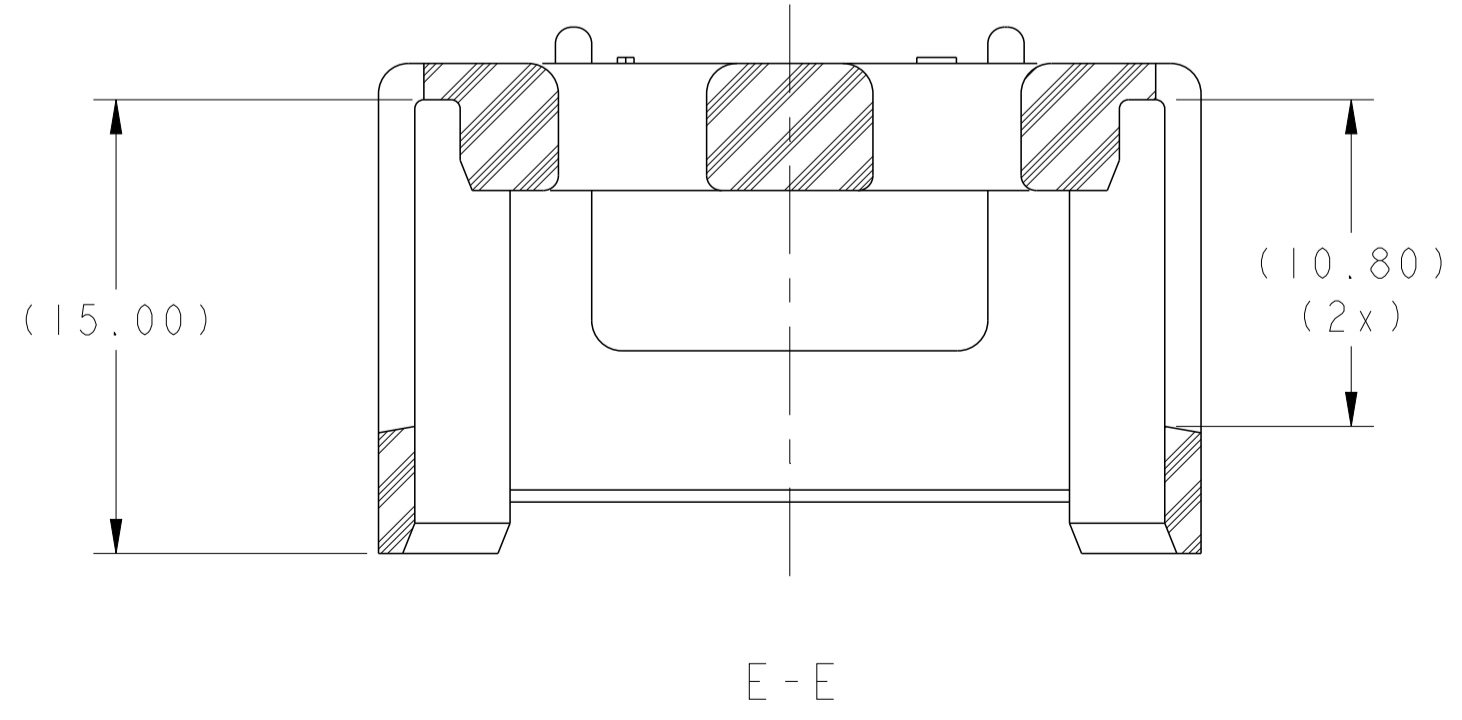


REVISIONS				
P	LTN	DESCRIPTION	DATE	OWN APVD
A		RELEASED	26JUN2017	RZ JY
A1		INCREASE PN	14SEP2022	X.F E.J
A2		ADD PN	12DEC2023	W.Z E.J
A3		ECN-24-263260	19APR2024	W.Z E.J



- △ MATERIAL :
TYPE : PA66 GF30 V0 FLAME RETARDANT MATERIAL
COLOR : SEE TABLE
- 2. FEATURES DENOTED BY REFERENCE DIMENSIONS
MUST BE INSPECTED FOR PRESENCE
- 3. PART MUST BE FREE OF EXCESSIVE FLASH, MIS-MATCH,
SINK MARKS, OR OTHER VISUAL IMPERFECTIONS THAT
MAY AFFECT PRODUCT FIT FORM OR FUNCTION
- △ 4 CIRCUIT ID
- 5. FOR HB VERSION REFER TO DRAWING 2103181



- I AS SHOWN

RED	4.50	5.10	5.10	CABLE SEAL RETAINER, SIZE D	2310469-4
BLACK	4.00	4.40	4.50	CABLE SEAL RETAINER, SIZE E	1-2310469-6
BLACK	5.48	6.10	6.20	CABLE SEAL RETAINER, SIZE C	1-2310469-5
BLACK	4.76	5.48	5.60	CABLE SEAL RETAINER, SIZE B	1-2310469-4
BLACK	4.20	4.70	4.80	CABLE SEAL RETAINER, SIZE A	1-2310469-3
DK GRAY	5.48	6.10	6.20	CABLE SEAL RETAINER, SIZE C	2310469-2
ORANGE	4.76	5.48	5.60	CABLE SEAL RETAINER, SIZE B	2310469-1
COLOR	MIN	MAX	F	DESCRIPTION	TE P/N
	WIRE	O.D.			

A3

THIS DRAWING IS A CONTROLLED DOCUMENT. DIMENSIONING AND TOLERANCING PER ASME Y14.5M-2009		OWN R. ZHANG 13OCT2016	TE Connectivity
DIMENSIONS: mm		CHK S.Y. WANG 26JUN2017	
TOLERANCES UNLESS OTHERWISE SPECIFIED		APVD J. YIN 26JUN2017	NAME CABLE SEAL RETAINER HVA280-2PHI XE
0 PLC ±0.2	1 PLC ±0.2	PRODUCT SPEC 108-2394	SIZE CAGE CODE DRAWING NO
2 PLC ±0.100	3 PLC ±0.100	APPLICATION SPEC 114-13295	A100779C=2310469
4 PLC ±0.0001	ANGLES ±1°	WEIGHT	RESTRICTED TO
MATERIAL	FINISH	CUSTOMER DRAWING	SCALE 4:1 SHEET 1 OF 1 REV A3