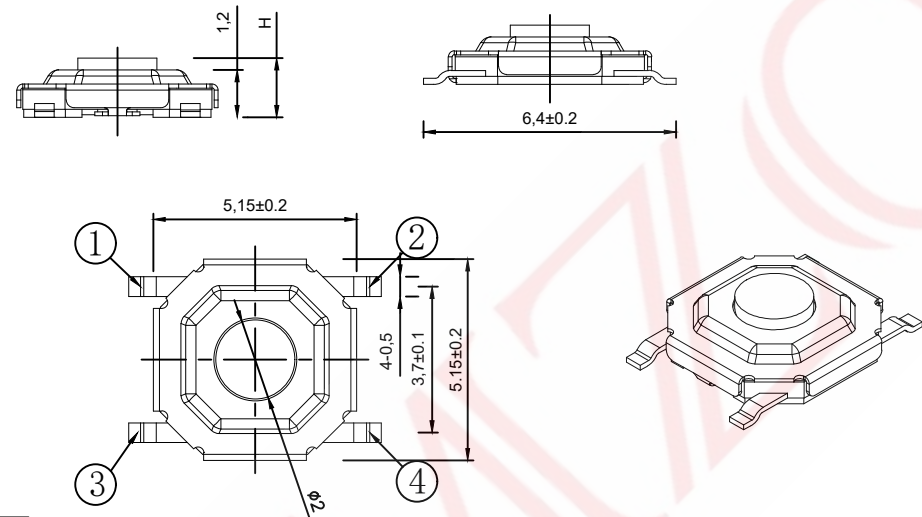
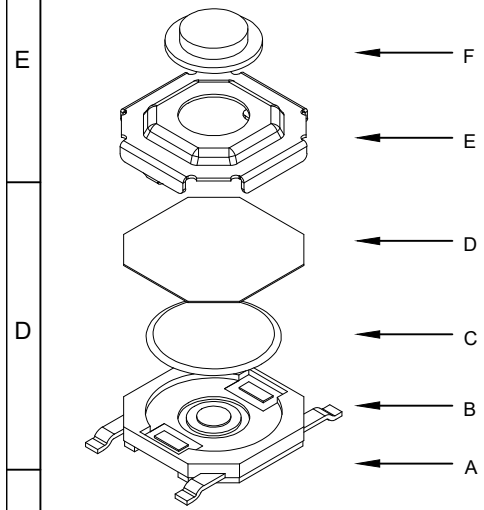


1 SAMZO 2 REAC/ROHS

REV	ECN NO	DESCRIPTION	DESIGN	APPROVAL	DATE
A1	NEW	Replace frame			2018.06.12

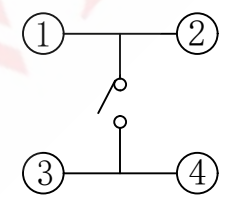
主要技术参数、性能
The Main Thchnology Performance

额定电流、电压 Rate voltage,current	50mA DC12V
接触电阻 Contact resistance	≤100mΩ
按力 Operating force	±30gf
行程 Travel	0.20±0.10mm
绝缘电阻 Insulated resistance	≥100MΩ
介电强度 Dielectric strength	≥250VAC/1min

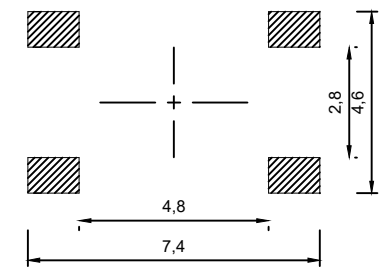


- G 4 B * * * * 1 0
- A B C D E F G H

A. 产品系列:G-5.2*5.2mm铜头系列
 B. 贴装方式:4-立式贴片
 C. 贴装规格:B-4P
 D. 贴装高度:15-1.5mm/17-1.6mm/20-2.0mm/.../50-5.0mm/(1.5-5.0)
 E:操作力度:1-100gf/2-160gf/3-260gf
 F:操作寿命:1-100,000次/2-500,000次/3-1,000,000次
 G:固定方式:1-无柱
 H:物料编码:0-常规(确认待编)



电路图
CIRCUIT DIAGRAM



PCB. 焊接图
PCB. WELDING DRAWING

ITEM	DESCRIPTION	MATERIAL	QTY	FINSH/COLOR					
F	按钮	黄铜	1	酸洗					
E	盖板	不锈钢	1	清洗				GENERAL TOLERANCE	
D	防尘膜	聚酰亚胺	1	橙黄色			≥0~2<	±0.15	
C	弹片	不锈钢	1	镀银	DESIGN	WANGGUIFA	2018.06.12	≥2~5<	±0.25
B	本件	PPA	1	黑色	CHECKED	ZHENGUILAN	2018.06.12	≥0~2<	±0.15
A	卡件	黄铜	1	镀银	APPROVED	LILIANJIANG	2018.06.14	≥5	±0.35

FIRST VIEW

SCALE 1:1 UNIT mm

SAMZO COMPONENTS
Electronic switch and connector manufacturer

The copyright belongs to samzo parts [China] Co., Ltd. please use the material after samzo parts agree to authorize. The final right of interpretation belongs to samzo parts.
WWW.KKK-JP.COM

TITLE::	5.2*5.2*H mm 4P-LT
DWG NO:	G4B1819-P50
PART NO:	G4B1819077
MODEL NO:	G4B**-**-10
NAME:	TACT SWITCH