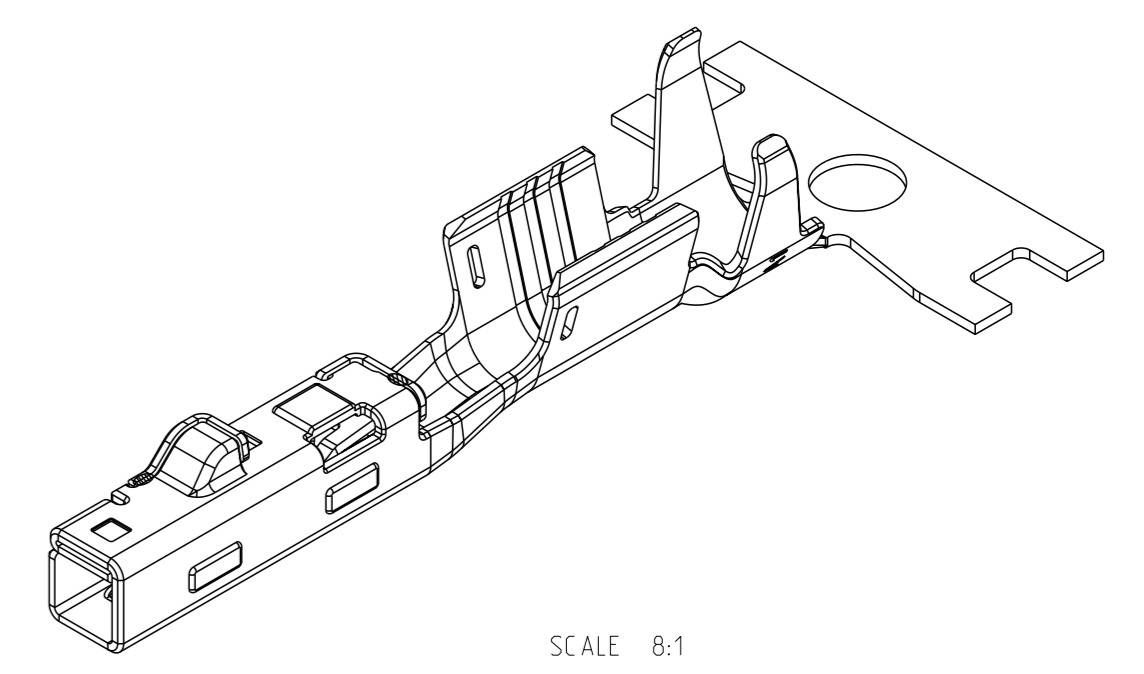
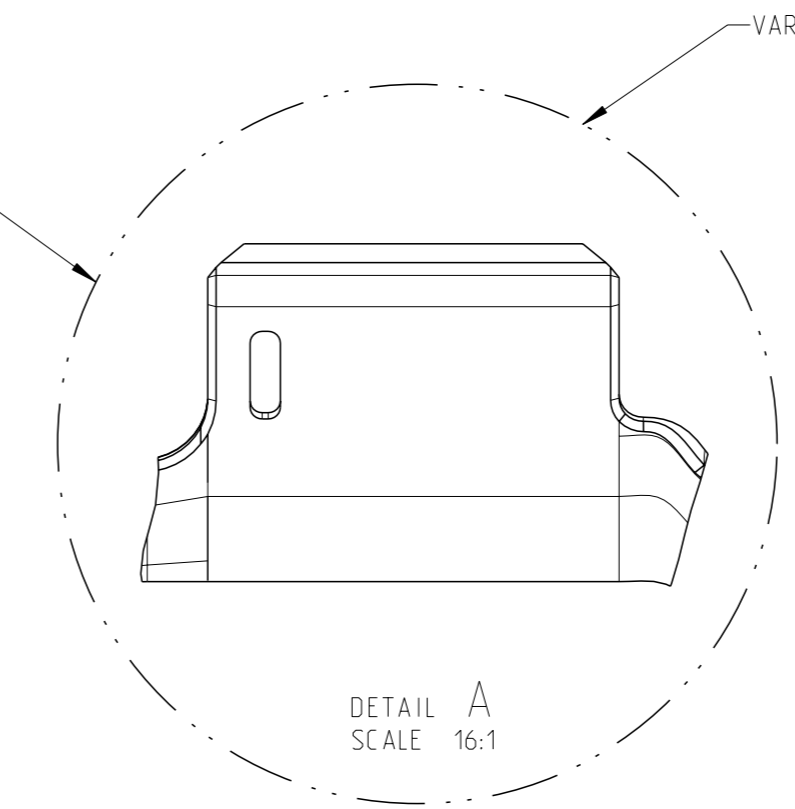
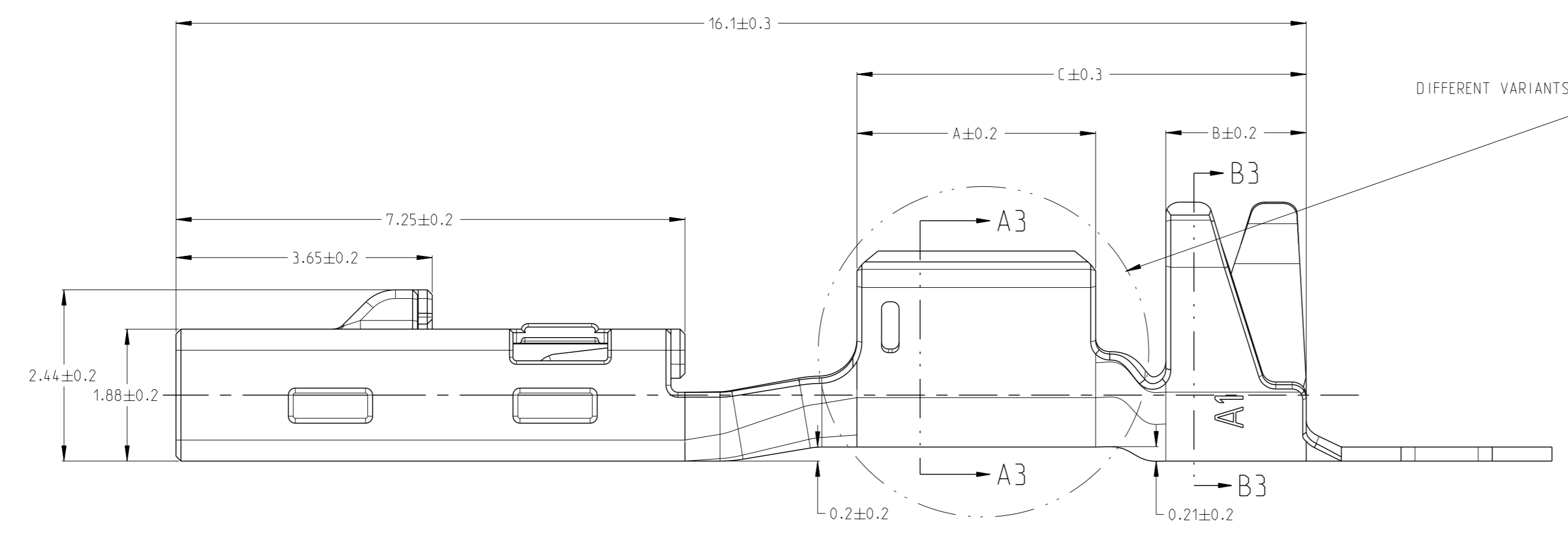
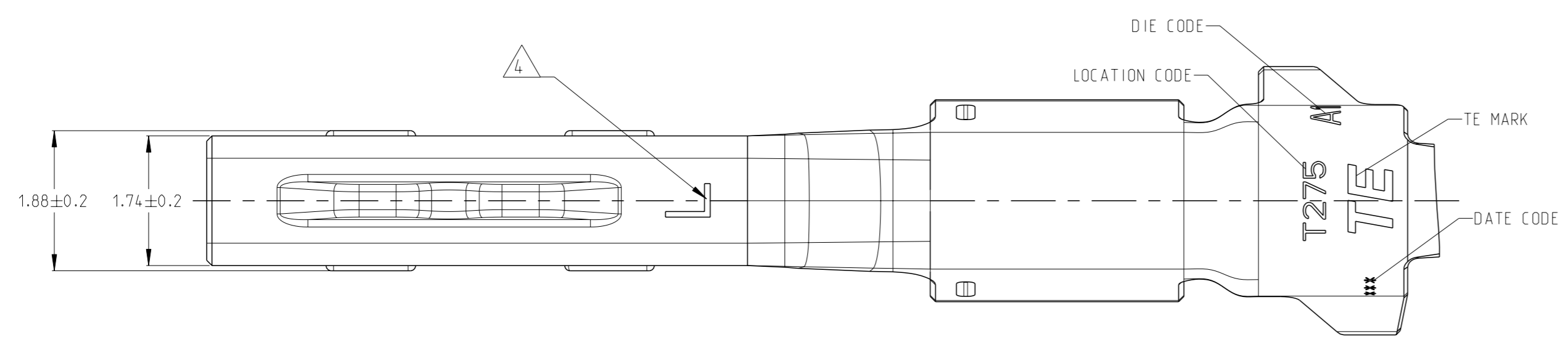
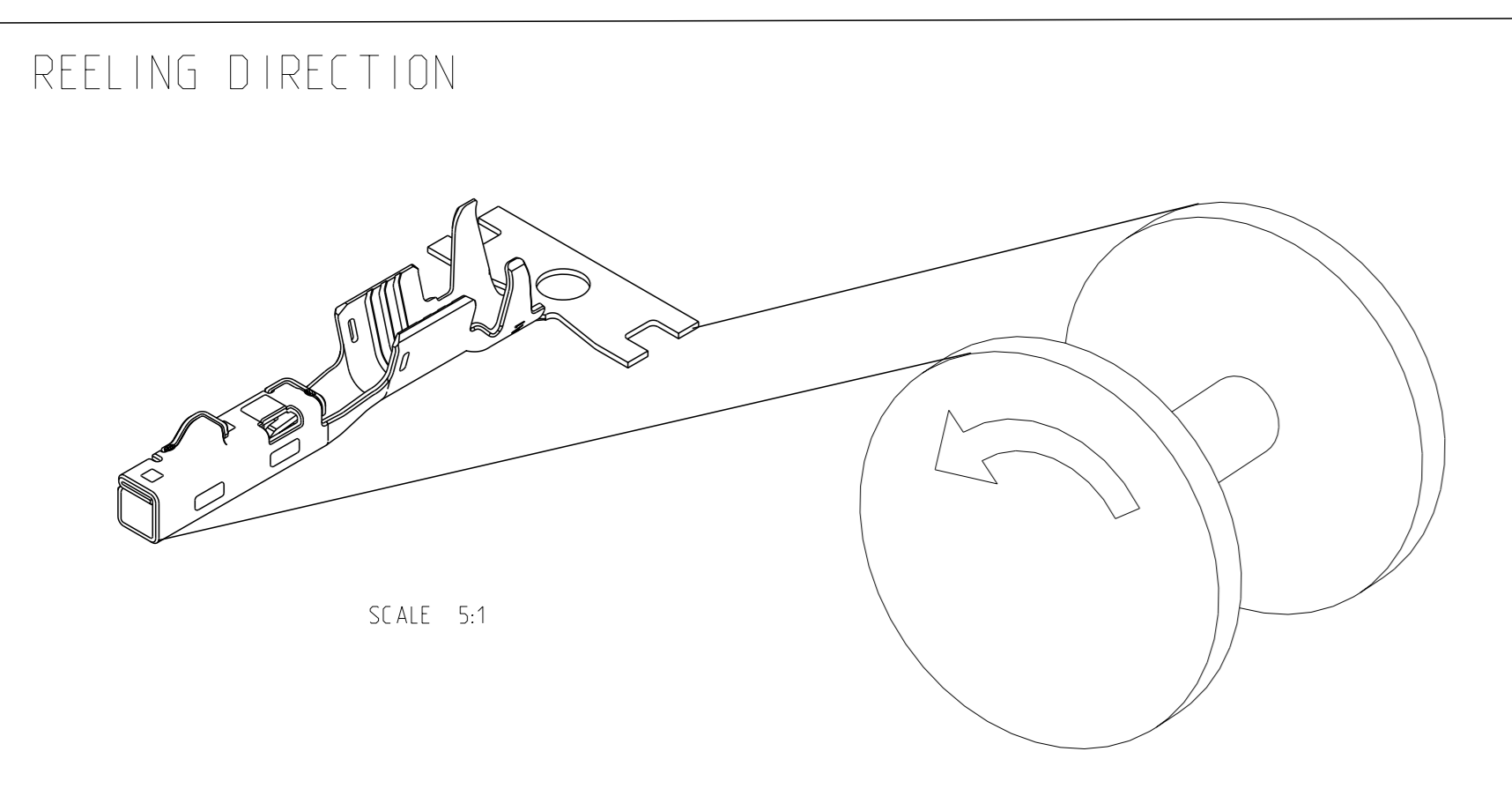
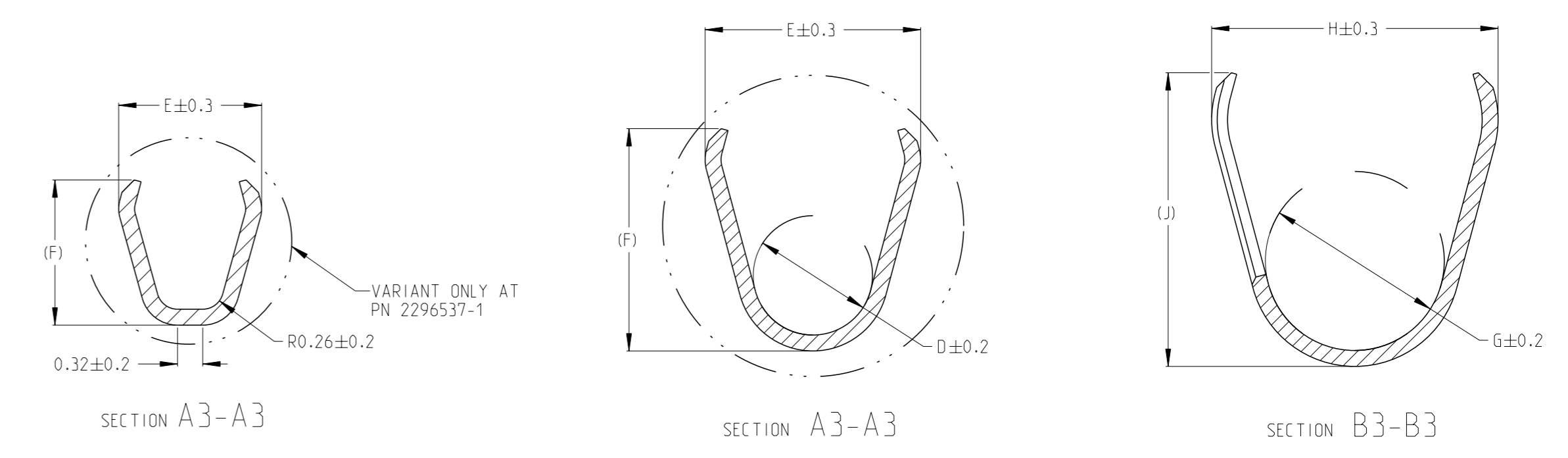
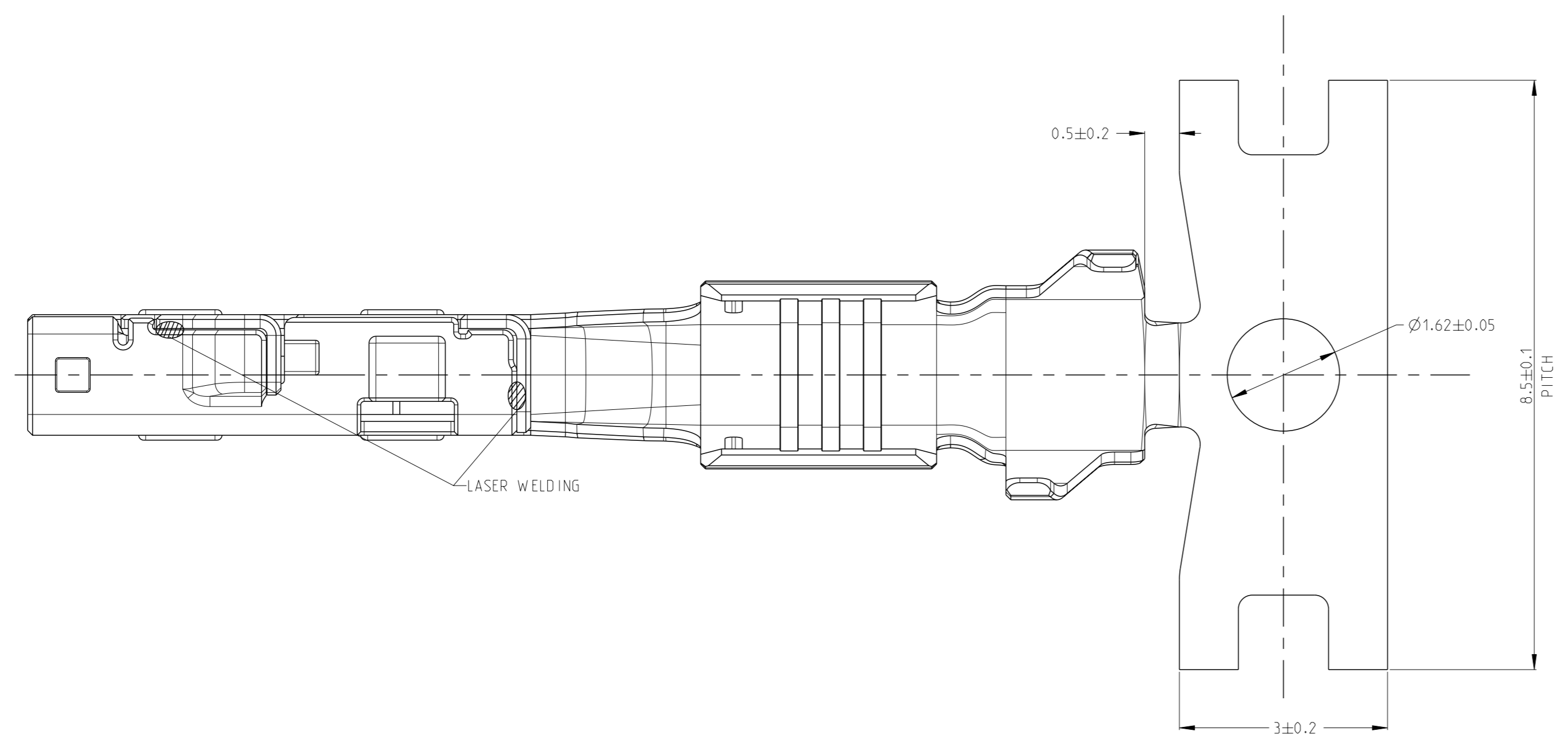


| REVISIONS | | | | |
|-----------|-------------|-------------|-----|------|
| REV | DATE | DESCRIPTION | OWN | APVD |
| A1 | 22 JUL 2020 | REVISE | J.Y | E.J |



1. TERMINAL DESIGNED TO BE USED WITH FLR CABLE
 2. MAX. 9 TERMINAL MISSING PER REEL PERMITTED
 3. 3 LOOSE SPLICES PER REEL PERMITTED
- △ WIRE SIZE MARK, PLEASE SEE TABLE



| | | | | | | | | | | | | | | | |
|-------------|------|--------------------------|------------------|----------------|----------|---------|--------|-----|-----|------------|-----|-----|------------------|------|-----|
| 2296537-3 | A | 1.0-1.5mm ² | 1.9-2.4mm | L | CuNiSi | PRE-TIN | 3.4 | 2.0 | 6.4 | 1.5 | 2.7 | 2.8 | 2.25 | 3.6 | 3.7 |
| 2296537-2 | A | 0.5-0.75mm ² | 1.4-1.9mm | M | | | 3.2 | 1.8 | 6.0 | 1.1 | 2.0 | 2.2 | 1.6 | 2.8 | 2.9 |
| 2296537-1 | A | 0.22-0.35mm ² | 1.1-1.4mm | S | | | 2.9 | 2.0 | 6.0 | - | 1.8 | 1.8 | 1.3 | 2.35 | 2.5 |
| PART NUMBER | REV. | WIRE RANGE | INSULATION RANGE | WIRE SIZE MARK | MATERIAL | FINISH | LENGHT | | | WIRE CRIMP | | | INSULATION CRIMP | | |

THIS DRAWING IS A CONTROLLED DOCUMENT.

| | | | | |
|------------------|--|---|--------------------------|------------------------------|
| DIMENSIONS: | TOLERANCES UNLESS OTHERWISE SPECIFIED: | OWN: G.ZHANG 21DEC2017 | CHK: E.JIANG 21DEC2017 | APVD: LYIN 21DEC2017 |
| mm | ±0.2 | NAME: FEMALE TERMINAL, TIN PLATED, REM MONO 1.2, CLEAN BODY | PRODUCT SPEC: 108-101426 | APPLICATION SPEC: 114-101043 |
| MATERIAL: | FINISH: | SIZE: A1 | CAGE CODE: - | DRAWING NO: C=2296537 |
| CUSTOMER DRAWING | | SCALE: 16:1 | SHEET: 1 of 1 | REV: A1 |

STE TE Connectivity