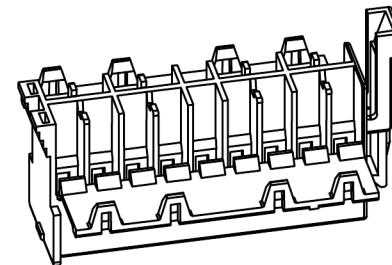
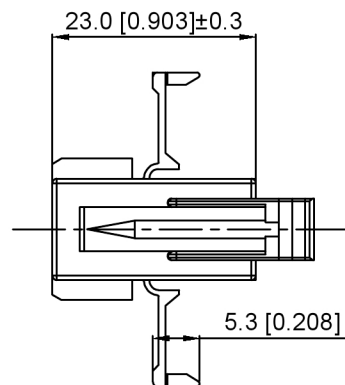
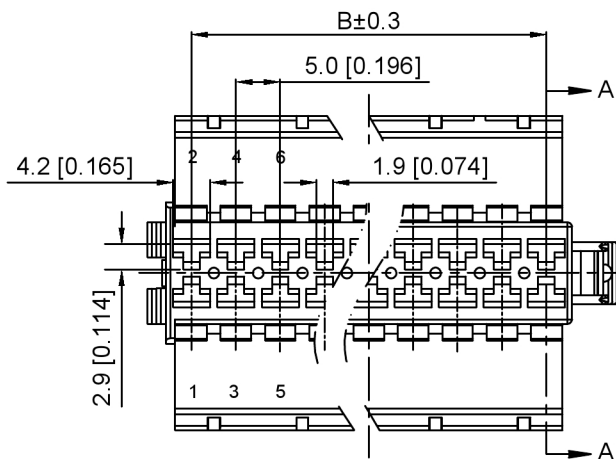


Temperature range: -40°C +125°C  
 温度范围: -40°C +125°C

**K 828801 H - 2xXX - N0**  
 ① ② ③ ④ ⑤

- 1.K: XKBTEK-Car Connector
- 2.XKB Series No
- 3.Category:H-Housing
- 4.Row No.Pin No:2xXX-2x02~2x11 Pin
- 5.Material:N0-PA66 UL94V-0 (Black)



Poles	Dimensions(mm)	
	A	B
2x02	11.00	5.00
2x03	16.00	10.00
2x04	21.00	15.00
2x05	26.00	20.00
2x07	36.00	30.00
2x09	46.00	40.00
2x11	56.00	50.00

K828801H-2xXX-N0	PA66	K828801W	K828801T
PART NO	Material	Suitable XKB Wafer	Suitable XKB Terminal

DSND	SCALE: N/A	MODEL TYPE: 5.0mm Automobile connector
DWN	VIEW:	PART NO.: K828801H-2xXX-N0
CHKD	UNIT: mm/in	DWG NO.: X-K828801H-2xXX-N0
APPD	SIZE: A4	WEIGHT SHEET REVISION
		1/1 A0



XKB INDUSTRIAL PRECISION CO.,LIMITED

ANGLAR	±5°
L ≤ 4	±0.2
4 < L ≤ 16	±0.3
16 < L ≤ 63	±0.4
L > 63	±0.5
UNSPECIFIED TOLERANCES	

REVISIONS

MARK	DESCRIPTION	DATE	REVISED	APPROVED
Δx				
Δx				
Δx				