

# VAL-MS-T1/T2 1000DC-PV-ST - Type 1/2 surge protection plug



2801162

<https://www.phoenixcontact.com/us/products/2801162>

Please be informed that the data shown in this PDF document is generated from our online catalog. Please find the complete data in the user documentation. Our general terms of use for downloads are valid.



Replacement plug for PV arrester combinations from the VAL-MS-T1/T2 1000DC-PV-... product range

## Commercial data

Item number	2801162
Packing unit	1 pc
Minimum order quantity	1 pc
Sales key	CL01
Product key	CL1152
Catalog page	Page 50 (C-4-2019)
GTIN	4046356714310
Weight per piece (including packing)	99 g
Weight per piece (excluding packing)	71.55 g
Customs tariff number	85363030
Country of origin	TR

# VAL-MS-T1/T2 1000DC-PV-ST - Type 1/2 surge protection plug



2801162

<https://www.phoenixcontact.com/us/products/2801162>

## Technical data

### Product properties

Product type	Replacement plug
Product family	VALVETRAB MS
IEC test classification	PV I / II PV T1 / T2
EN type	T1 / T2
IEC power supply system	DC
Type	Male
Number of positions	1
Installation location	Interior
Installation location of the disconnect device	Internal
Accessibility	Accessible
SPD failure behavior	OCFM (Open-Circuit Failure Mode)
Surge protection fault message	optical

### Data management status

Article revision	09
------------------	----

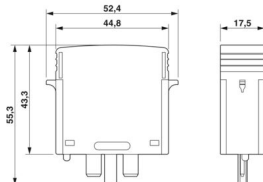
### Insulation characteristics

Overvoltage category	III
Pollution degree	2

### Connection data

Connection method	pluggable
-------------------	-----------

### Dimensions

Dimensional drawing	
Width	17.5 mm
Height	52.4 mm
Depth	55.3 mm
Horizontal pitch	1 Div.

### Material specifications

Color	black (RAL 9005)
Flammability rating according to UL 94	V-0
CTI value of material	600

# VAL-MS-T1/T2 1000DC-PV-ST - Type 1/2 surge protection plug



2801162

<https://www.phoenixcontact.com/us/products/2801162>

Insulating material	PA 6.6-FR
Material group	I
Housing material	PA 6.6-FR

## Protective circuit

Direction of action	(L+)-PE & (L-)-PE & (L+)-(L-)
Standby power consumption $P_C$	$\leq 25.00$ mVA
Nominal discharge current $I_n$ (8/20) $\mu\text{s}$	15 kA
Maximum discharge current $I_{\text{max}}$ (8/20) $\mu\text{s}$	40 kA
Impulse discharge current (10/350) $\mu\text{s}$ , charge	2.5 As
Impulse discharge current (10/350) $\mu\text{s}$ , specific energy	6.25 kJ/ $\Omega$
Impulse discharge current (10/350) $\mu\text{s}$ , peak value $I_{\text{imp}}$	5 kA
Voltage protection level $U_p$	$\leq 1.8$ kV
Residual voltage $U_{\text{res}}$	$\leq 1.8$ kV (at $I_n$ )
	$\leq 1.5$ kV (at 5 kA)
	$\leq 1.7$ kV (at 10 kA)
	$\leq 1.9$ kV (at 20 kA)
	$\leq 2.2$ kV (at 30 kA)
	$\leq 2.4$ kV (at 40 kA)
Response time $t_A$	$\leq 25$ ns

## Protective circuit DC voltage side (DC)

Open circuit voltage $U_{\text{OCSTC}}$	$\leq 487.5$ V DC
Maximum discharge current $I_{\text{max}}$ (8/20) $\mu\text{s}$	40 kA
Response time $t_A$	$\leq 25$ ns
Impulse discharge current (10/350) $\mu\text{s}$ , charge	2.5 As
Impulse discharge current (10/350) $\mu\text{s}$ , specific energy	6.25 kJ/ $\Omega$
Impulse discharge current (10/350) $\mu\text{s}$ , peak value $I_{\text{imp}}$	5 kA
Insulation resistance $R_{\text{iso}}$	$> 5$ G $\Omega$ (at 500 V DC)
Nominal discharge current $I_n$ (8/20) $\mu\text{s}$	15 kA
Continuous operating current $I_{\text{CPV}}$	$< 20$ $\mu\text{A}$
Maximum continuous operating voltage $U_{\text{CPV}}$	585 V DC
Short-circuit current rating $I_{\text{SCPV}}$	2000 A
Residual voltage $U_{\text{res}}$	$\leq 1.8$ kV (at $I_n$ )
	$\leq 1.5$ kV (at 5 kA)
	$\leq 1.7$ kV (at 10 kA)
	$\leq 1.9$ kV (at 20 kA)
	$\leq 2.2$ kV (at 30 kA)
	$\leq 2.4$ kV (at 40 kA)
Voltage protection level $U_p$	$\leq 1.8$ kV
Standby power consumption $P_C$	$\leq 25.00$ mVA

## Environmental and real-life conditions

# VAL-MS-T1/T2 1000DC-PV-ST - Type 1/2 surge protection plug



2801162

<https://www.phoenixcontact.com/us/products/2801162>

## Ambient conditions

Degree of protection	IP20
Ambient temperature (operation)	-40 °C ... 80 °C
Ambient temperature (storage/transport)	-40 °C ... 80 °C
Altitude	≤ 2000 m (amsl)
Permissible humidity (operation)	5 % ... 95 %
Shock (operation)	60g (Half-sine / 11 ms / 3x ±X, ±Y, ±Z)
Vibration (operation)	7.5g (5-500 Hz/2.5 h/XYZ)

## Approvals

### UL specifications

Maximum continuous operating voltage MCOV	1170 V DC
Short-circuit current rating (SCCR)	50 kA
Voltage protection rating VPR	3 kV
Nominal discharge current $I_n$	10 kA
Mode of protection	(L+) - (L-) (L+) - G (L-) - G
Nominal voltage	1170 V DC
Power distribution system	DC PV
SPD Type	1CA

## Standards and regulations

Standards/specifications	EN 61643-31
Note	2019
Standards/specifications	IEC 61643-31
Note	2018

## Mounting

Mounting type	on base element
---------------	-----------------

# VAL-MS-T1/T2 1000DC-PV-ST - Type 1/2 surge protection plug



2801162

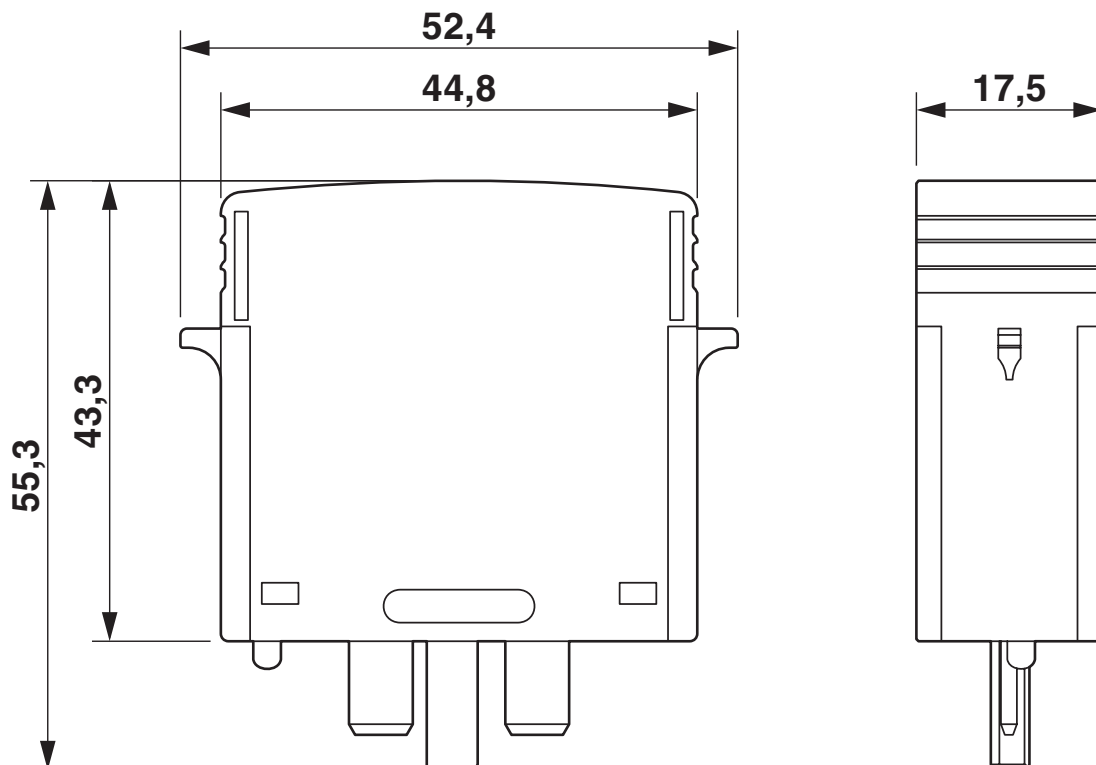
<https://www.phoenixcontact.com/us/products/2801162>

## Drawings

Circuit diagram



Dimensional drawing



# VAL-MS-T1/T2 1000DC-PV-ST - Type 1/2 surge protection plug



2801162

<https://www.phoenixcontact.com/us/products/2801162>

## Approvals

To download certificates, visit the product detail page: <https://www.phoenixcontact.com/us/products/2801162>



**cUL Recognized**  
Approval ID: FILE E 330181



**UL Recognized**  
Approval ID: FILE E 330181



**EAC**  
Approval ID: RU C-DE.\*09.B.00169



**KEMA-KEUR**  
Approval ID: 71-123544 REV.2



**IECEE CB Scheme**  
Approval ID: NL-81006/A1

**CCA**

Approval ID: NTR-NL 7937

**UAE-RoHS**

Approval ID: 23-10-88705

**cULus Recognized**

# VAL-MS-T1/T2 1000DC-PV-ST - Type 1/2 surge protection plug



2801162

<https://www.phoenixcontact.com/us/products/2801162>

## Classifications

### ECLASS

ECLASS-11.0	27130890
ECLASS-13.0	27171492

### ETIM

ETIM 9.0	EC002496
----------	----------

### UNSPSC

UNSPSC 21.0	39121620
-------------	----------

# VAL-MS-T1/T2 1000DC-PV-ST - Type 1/2 surge protection plug



2801162

<https://www.phoenixcontact.com/us/products/2801162>

## Environmental product compliance

### EU RoHS

Fulfills EU RoHS substance requirements	Yes, No exemptions
---	--------------------

### China RoHS

Environment friendly use period (EFUP)	EFUP-E
	No hazardous substances above the limits

### EU REACH SVHC

REACH candidate substance (CAS No.)	No substance above 0.1 wt%
-------------------------------------	----------------------------

Phoenix Contact 2024 © - all rights reserved  
<https://www.phoenixcontact.com>

Phoenix Contact USA  
586 Fulling Mill Road  
Middletown, PA 17057, United States  
(+717) 944-1300  
[info@phoenixcon.com](mailto:info@phoenixcon.com)