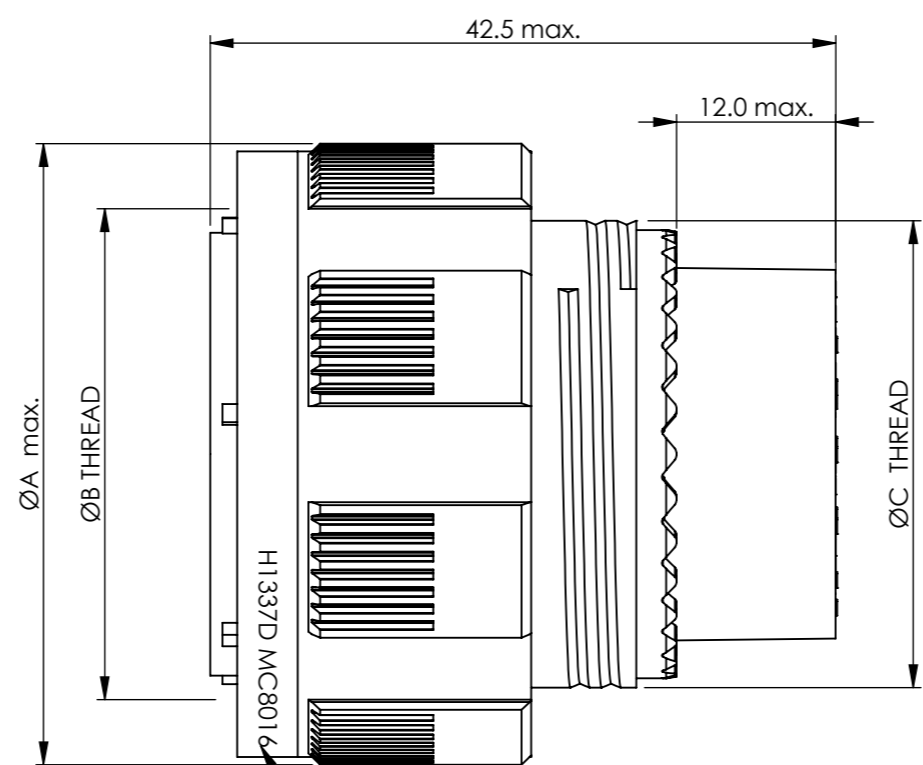
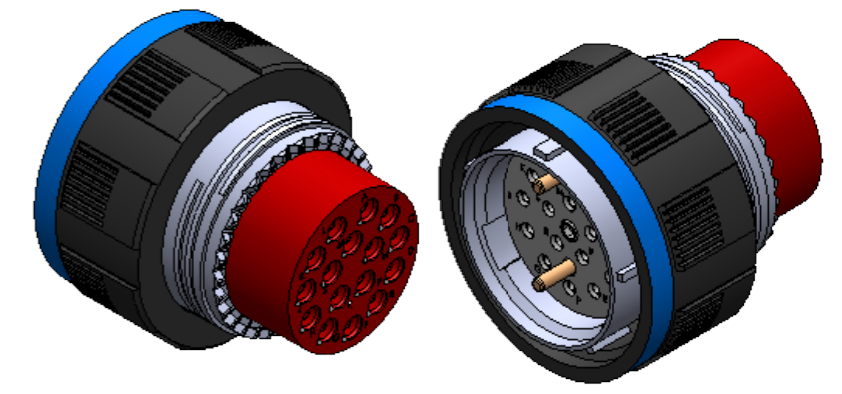


21-16 SKT ARRANGEMENT  
REFERENCE ONLY



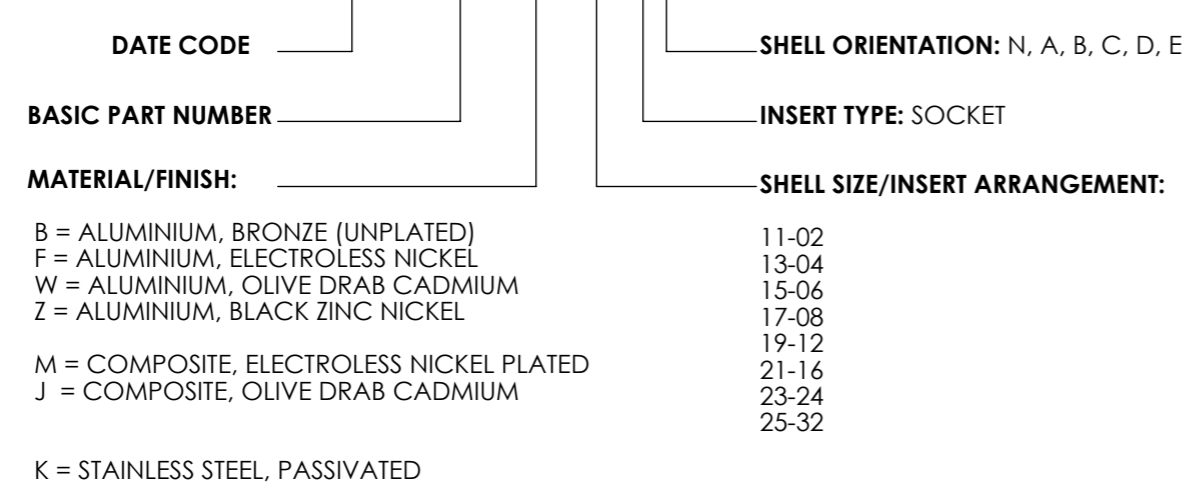
2 PRINT DETAIL  
(ON BLUE COLOUR BAND)



NOTES:

1. DUST CAPS TO BE FITTED TO CONNECTORS. CABLE ASSEMBLY TO BE PACKED IN A PROTECTIVE BAG MARKED WITH A MINIMUM OF THE PART NUMBER, BATCH NUMBER, DATE CODE AND ITEM DESCRIPTION.

2 MC801 PART NUMBER EXAMPLE: H\*\*\*\*D MC8016 -N -11-02 S N



SHELL SIZE	INSERT ARRANGEMENT	ØA MAX	B THREAD STUB 60° MOD 1P-3L CLASS 2A (IN INCHES)	ØC THREAD
11	2	25.00	0.7500	M15x1.0
13	4	29.40	0.8750	M18x1.0
15	6	32.50	1.0000	M22x1.0
17	8	35.70	1.1875	M25x1.0
19	12	38.50	1.2500	M28x1.0
21	16	41.70	1.3750	M31x1.0
23	24	44.90	1.5000	M34x1.0
25	32	48.00	1.6250	M37x1.0

THIRD ANGLE PROJECTION	MATERIAL:		FINISH:		<p>DEUTSCH TE CONNECTIVITY UK LTD., ST. LEONARDS-ON-SEA, TN38 9RF, UK.</p>
	TITLE: ARINC 801, TYPE 1 PLUG				
IF IN DOUBT, ASK		SIZE: A3	SCALE: 1:1	DRAWING NUMBER: 460069-ENV	SHEET: 1 OF 1

AE	DUK-71225	MJH	NPO	MJH	NT	08/01/2020
ISSUE	CHANGE NOTE	DRAWN	CHECKED	APP. ENG.	APP. MARKETING	DATE

THIS INFORMATION IS CONFIDENTIAL AND PROPRIETARY TO TYCO ELECTRONICS CORPORATION AND ITS WORLDWIDE SUBSIDIARIES AND AFFILIATES (TE). IT MAY NOT BE DISCLOSED TO ANYONE OTHER THAN TE PERSONNEL, WITHOUT AUTHORIZATION FROM TE (www.te.com).