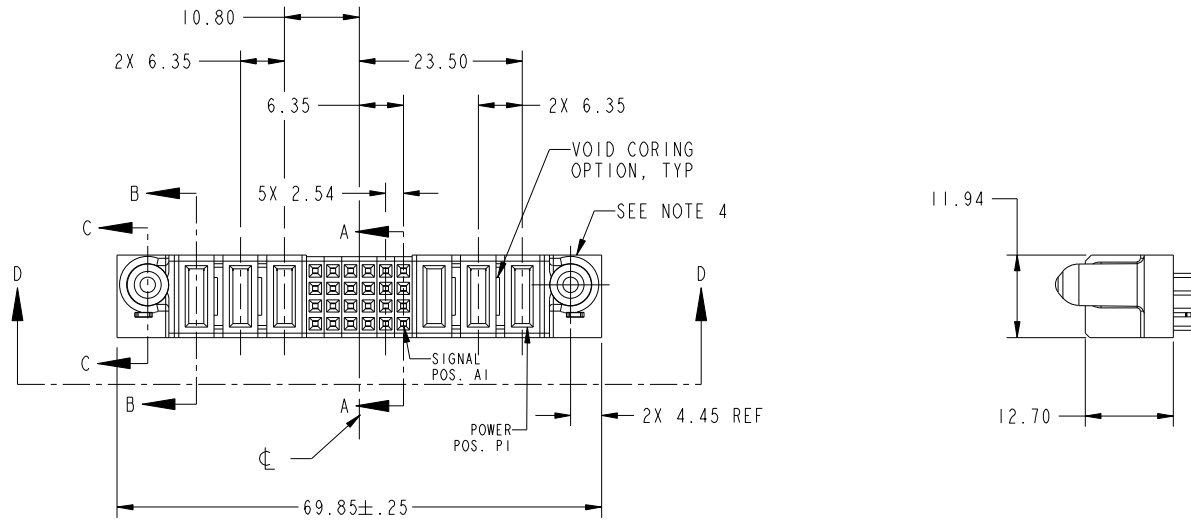


Tous droits strictement reserves. Reproduction ou communication a des tiers interdite sous quelque forme que ce soit sans autorisation écrite du propriétaire. Propriete de c FCI. Droits de reproduction FCI.



All rights strictly reserved. Reproduction or issue to third parties in any form whatever is not permitted without written authority from the proprietor. Property of FCI. Copyright FCI.

PRODUCT NO.	ROWS	POWER			SIGNAL					POWER			E1		
		E2	P6	P5	P4	6	5	4	3	2	1	P3		P2	P1
51750-084... NOTE: 3	D C B A		PA	PA	PA	E	E	E	E	E	E	X	PA	PA	



CODE	DIM "M" MATING LENGTH	CONTACT TYPE
E	[N/A]	SIGNAL
PA	[1.07]	POWER
HA	[N/A]	HOLD-DOWN
X	OMITTED	

mat'l code				SEE NOTES 2		tolerances unless otherwise specified		CUSTOMER		FCI	
ltr	ecn no.	dr	date	linear	0.X ± 0.3	projection	COPY		www.fciconnect.com		
A	DG08-0032	SH	02/01/08	angles	0.XX ± 0.13		title		3P + 24S + 3P VERTICAL SOLDER RECEPT		
				dr	0.XXX ± 0.051		product family		PwrBlade	code	
				enr	0° ± 2°	scale	size		A	dwg no	213
				chr	Sincere He 01/21/08	1:1	product family		51750-084		sheet
				appd	Sincere He 01/21/08		size		A		1 of 4
					Gary Hsieh 01/21/08		cage code		22526		
					Joseph Hsia 01/21/08		cage code		22526		
sheet index	revision sheet	A	A	A	A		cage code		22526		
		1	2	3	4		cage code		22526		

Pro/E

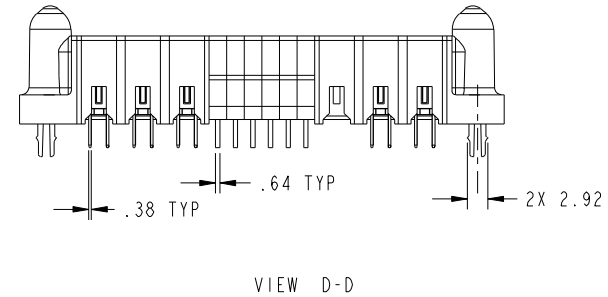
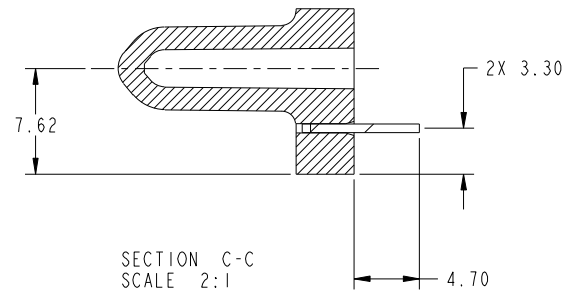
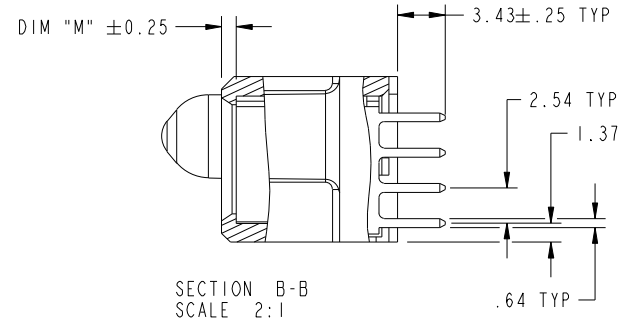
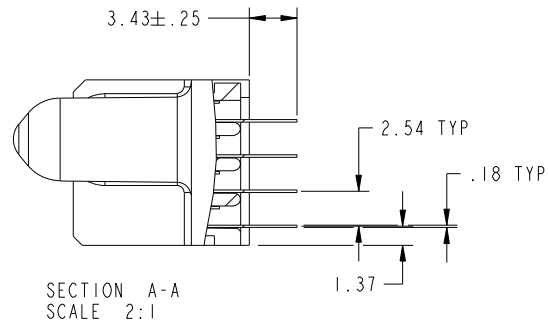
cage code 22526

Tous droits strictement reserves. Reproduction ou communication a des tiers interdite sous quelque forme que ce soit sans autorisation écrite du propriétaire. Propriete de c FCI. Droits de reproduction FCI.

All rights strictly reserved. Reproduction or issue to third parties in any form whatever is not permitted without written authority from the proprietor. Property of FCI. Copyright FCI.



PRODUCT NUMBER
51750-084__
NOTE: 3



mat'l code		SEE NOTE 2		tolerances unless otherwise specified		CUSTOMER		 www.fciconnect.com	
ltr	ecn no.	dr	date	linear	0.X ± 0.3	COPY		title	
A					0.XX ± 0.13	projection		3P + 24S + 3P VERTICAL SOLDER RECEPT	
				angles	0.XXX ± 0.051			product family PwrBlade code	
				dr	Sincere He 01/21/08			size 213	
				enr	Sincere He 01/21/08	scale		dwg no 2 of 4	
				chr	Gary Hsieh 01/21/08	1:1		sheet	
				appd	Joseph Hsia 01/21/08	A		51750-084	
sheet index	revision sheet								

cage code 22526

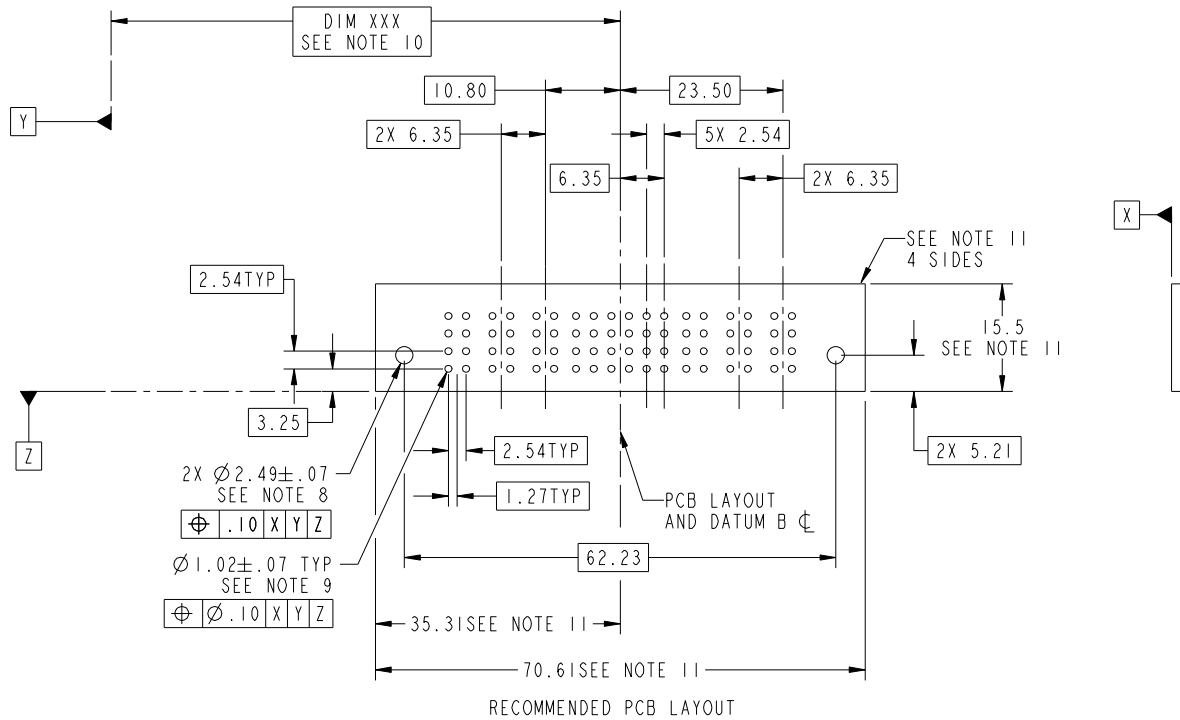
Pro/E

Tous droits strictement reserves. Reproduction ou communication a des tiers interdite sous quelque forme que ce soit sans autorisation écrite du propriétaire. Propriete de c FCI. Droits de reproduction FCI.



All rights strictly reserved. Reproduction or issue to third parties in any form whatever is not permitted without written authority from the proprietor. Property of FCI. Copyright FCI.

PRODUCT NUMBER
51750-084__
NOTE: 3



mat'l code				SEE NOTE 2		tolerances unless otherwise specified		CUSTOMER		FCI	
ltr	ecn no.	dr	date	linear	0.X ±0.3	COPY		www.fciconnect.com		title	
A					0.XX ±0.13	projection		3P + 24S + 3P		VERTICAL SOLDER RECEPT	
				angles	0.XXX ±0.051	MIM		product family		PwrBlade	code
				dr	Sincere He 01/21/08	scale		size		213	sheet
				enr	Sincere He 01/21/08	1:1		dwg no		3 of 4	
				chr	Gary Hsieh 01/21/08			A		51750-084	
				appd	Joseph Hsia 01/21/08						
sheet index		revision sheet									

cage code 22526

Pro/E

Tous droits strictement reserves. Reproduction ou communication a des tiers interdite sous quelque forme que ce soit sans autorisation ecrite du proprietaire. Propriete de c FCI. Droits de reproduction FCI.

All rights strictly reserved. Reproduction or issue to third parties in any form whatever is not permitted without written authority from the proprietor. Property of FCI. Copyright FCI.



PRODUCT NUMBER
51750-084--
NOTE: 3

NOTES:

1. DIMENSIONS AND TOLERANCES ARE IN ACCORDANCE WITH ASME Y14.5M, 1994 UNLESS OTHERWISE SPECIFIED.

CONNECTOR NOTES:

- 2 HOUSING MATERIAL: UL 94 V-0 GLASS FILLED
HIGH-TEMP THERMOPLASTIC
POWER CONTACT MATERIAL: COPPER ALLOY
SIGNAL PIN MATERIAL: COPPER ALLOY
 - 3. PLATING SPEC.
51750-084, 51750-084LF PLATING SPEC. WAS SHOWN IN THE PRINT OF 10064183.
 - 4 MANUFACTURER'S NAME, P/N, AND DATE CODE TO APPEAR ON THIS SURFACE.
 - 5. PRODUCT SPECIFICATION GS-12-149.
APPLICATION SPECIFICATION BUS-20-067.
 - 6. PACKAGED IN TRAYS.
- PCB NOTES:
- 7. ALL HOLE DIAMETERS ARE FINISHED HOLE SIZE.
 - 8 MOUNTING HOLES, WHERE APPLICABLE, ARE UNPLATED.
 - 9 $\varnothing 1.151 \pm 0.025$ DRILLED HOLES PLATED WITH
0.008 MIN SnPb OR Sn OVER 0.03
TO 0.08 Cu PLATING TO ACHIEVE
 $\varnothing 1.02 \pm .07$ HOLE.
 - 10 "DIM XXX" TO BE DETERMINED BY THE CUSTOMER.
 - 11 CONNECTOR KEEP-OUT ZONE.

mat'l code				SEE NOTE 2		tolerances unless otherwise specified		CUSTOMER		FCI www.fciconnect.com	
ltr	ecn no.	dr	date	linear	0.X ± 0.3		COPY		projection	title	
A					0.XX ± 0.13		MIM			3P + 24S + 3P VERTICAL SOLDER RECEPT	
					0.XXX ± 0.051		← MIM →			product family PwrBlade code 213	
				angles	0° ± 2°		scale		A	size	
				dr	Sincere He	01/21/08	1:1			dwg no	
				enr	Sincere He	01/21/08				51750-084	
				chr	Gary Hsieh	01/21/08			sheet		
				appd	Joseph Hsia	01/21/08			4 of 4		
sheet index		revision sheet									

cage code 22526

Pro/E

Mouser Electronics

Authorized Distributor

Click to View Pricing, Inventory, Delivery & Lifecycle Information:

[FCI / Amphenol:](#)

[51750-084LF](#)