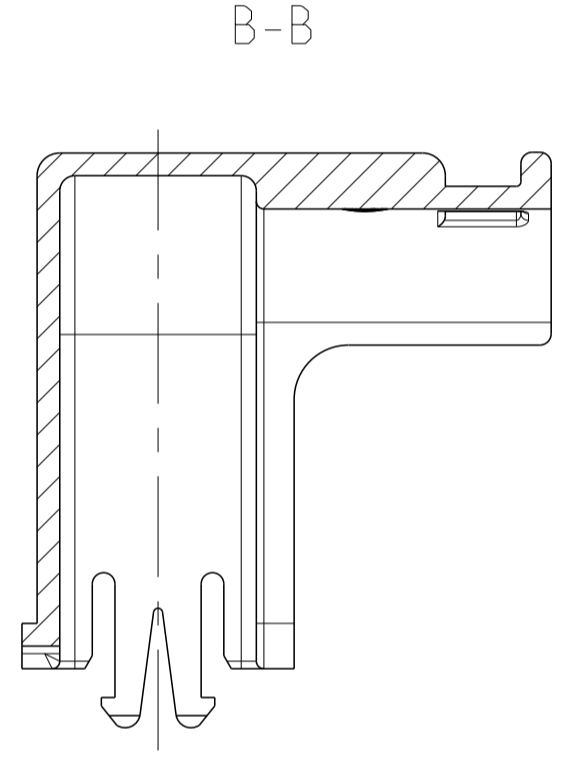
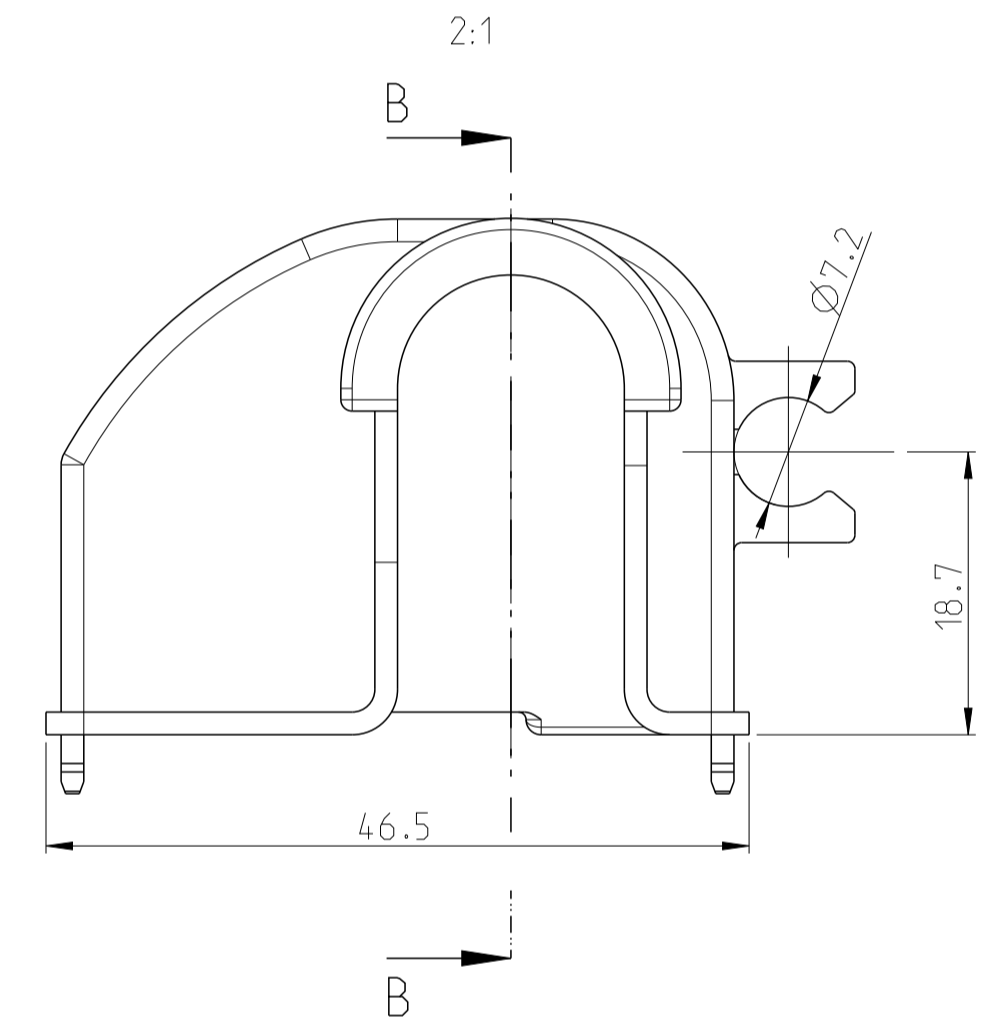
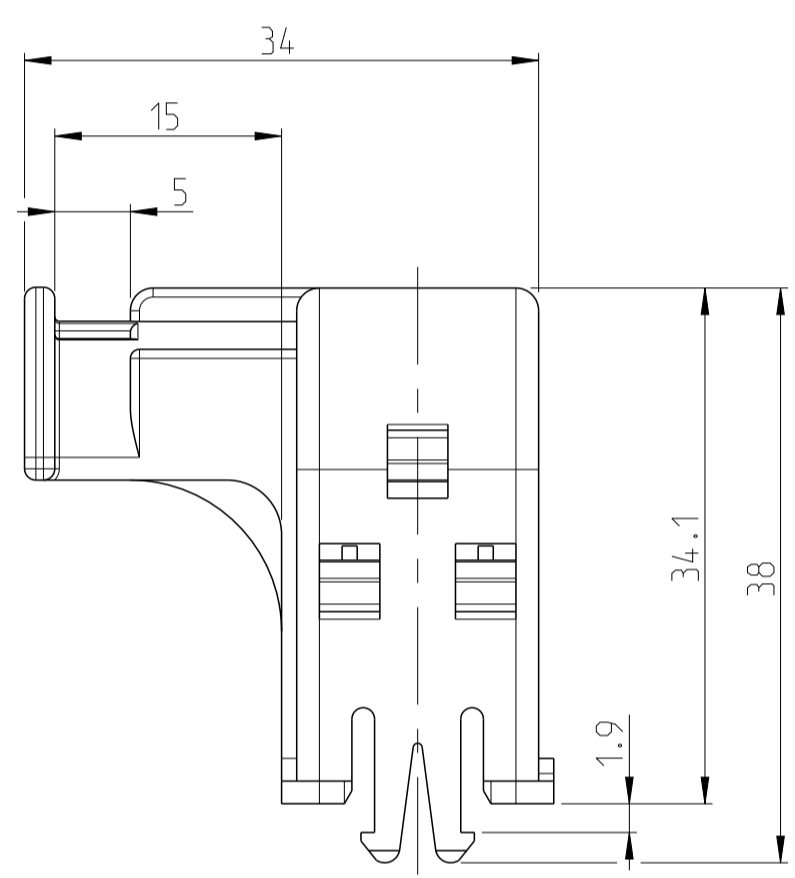
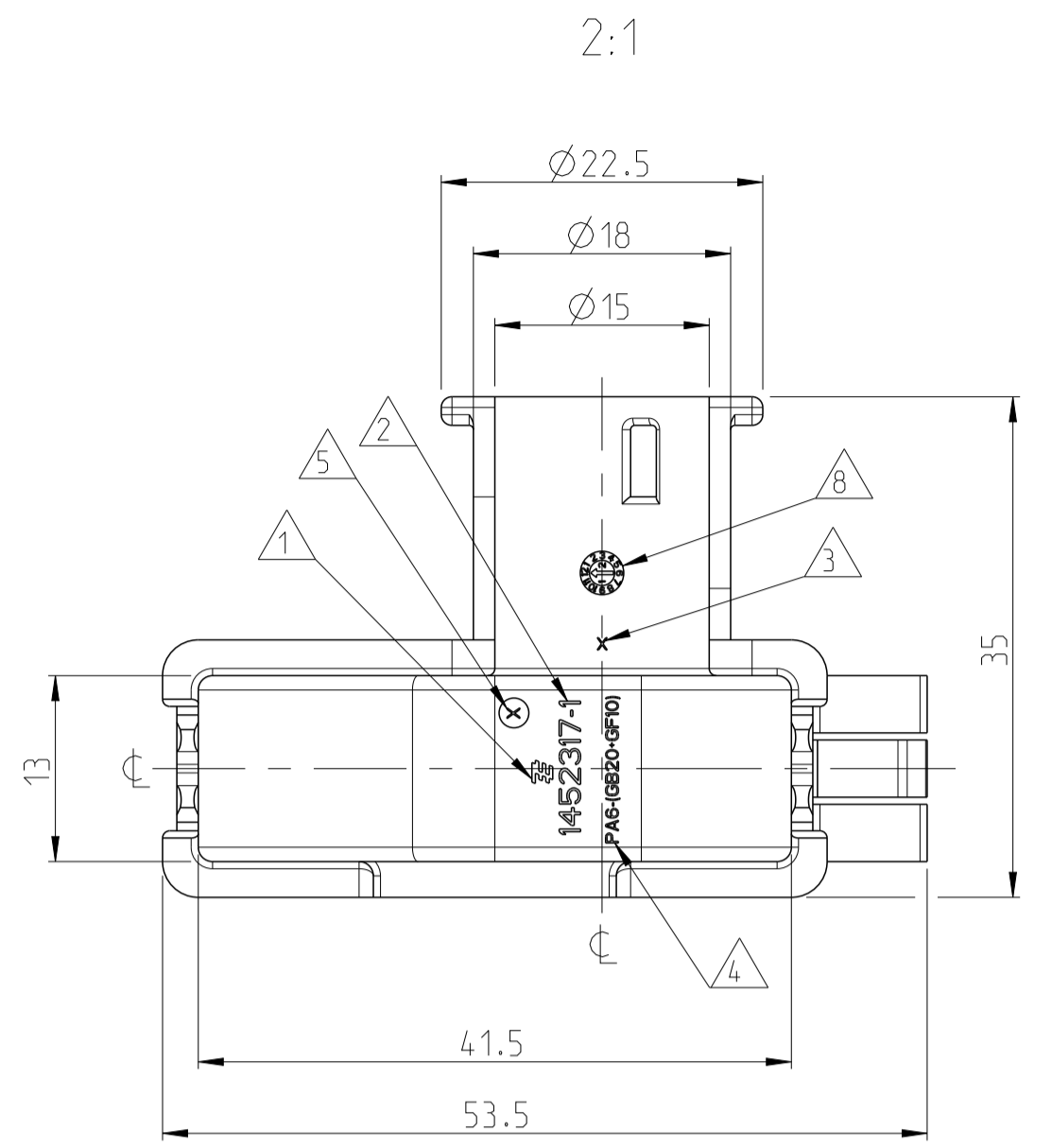
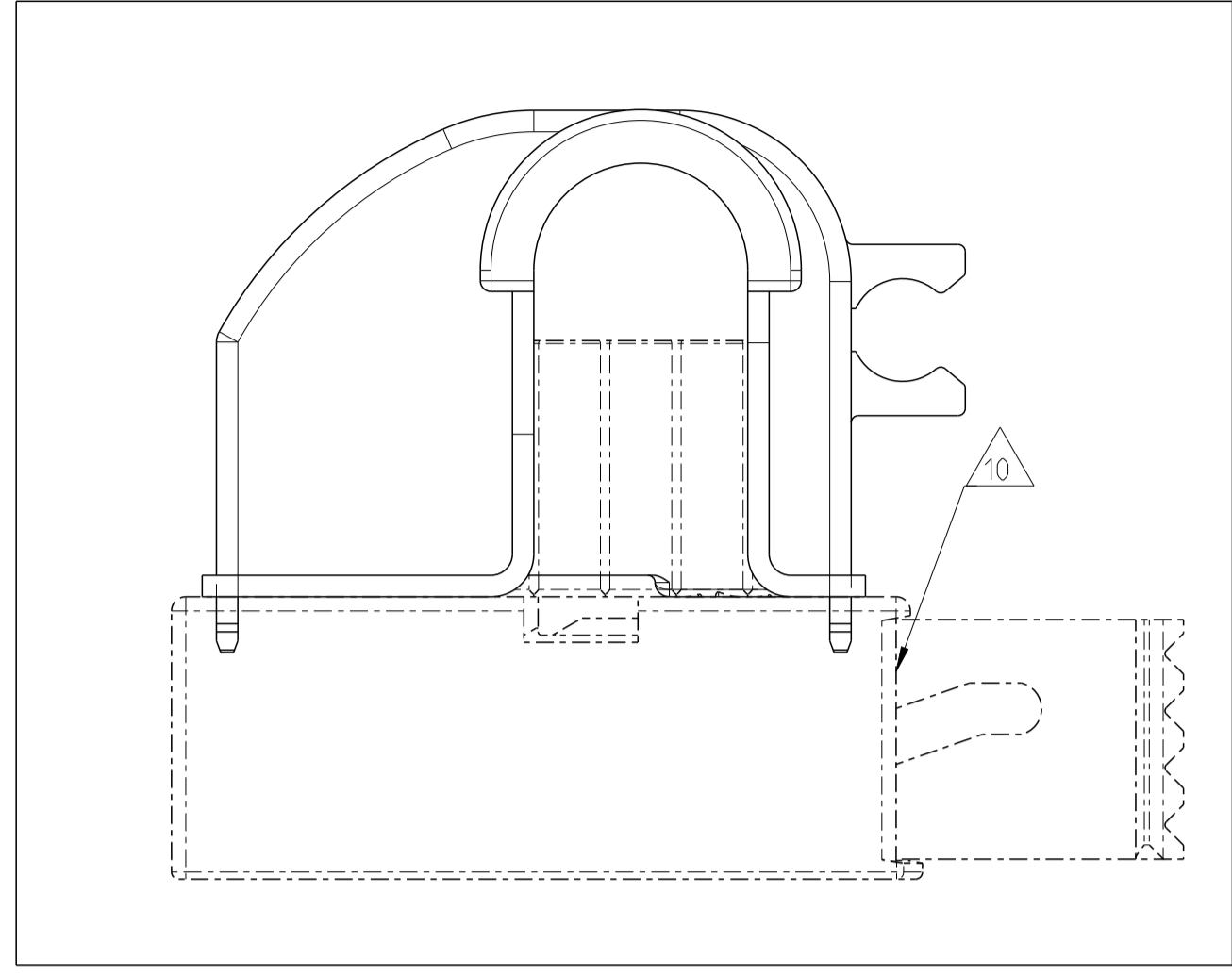
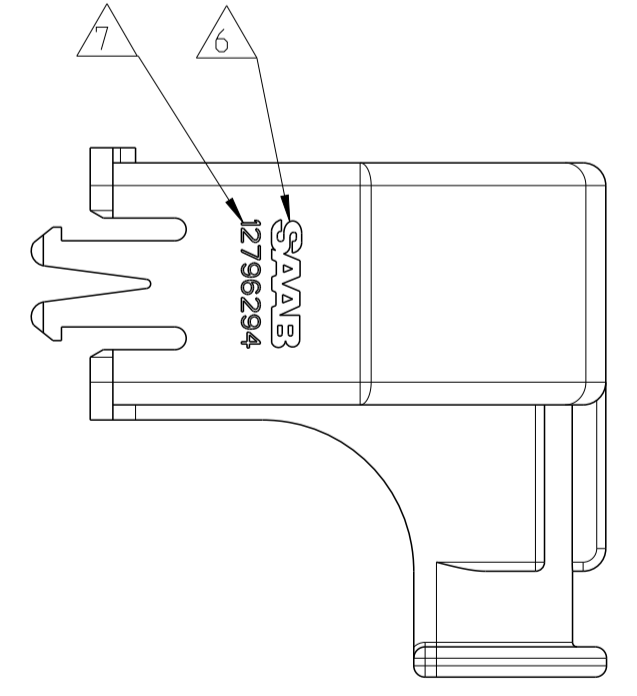
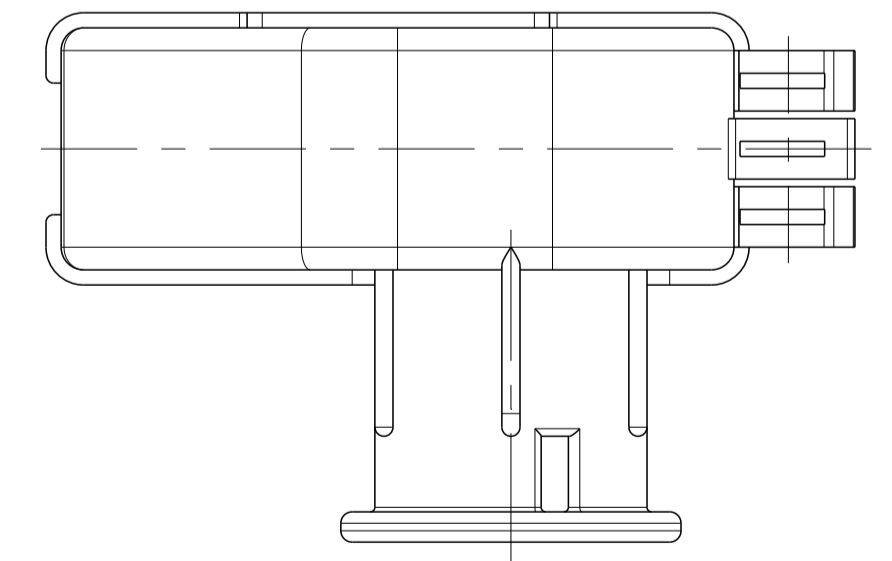
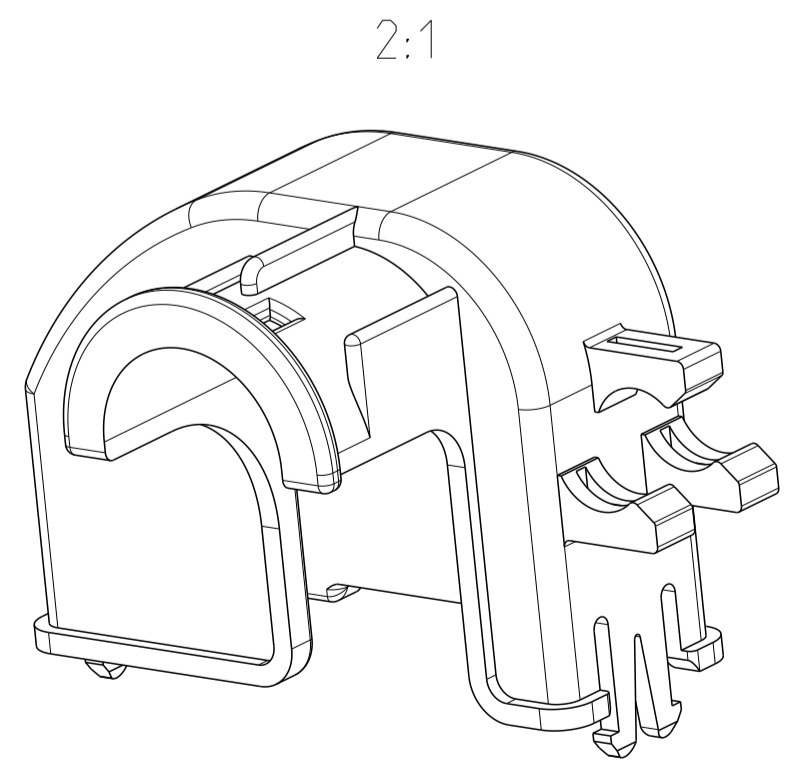


REVISIONS				
REV	LTN	DESCRIPTION	DATE	APPROV
A		NEW DRAWING	05.JUL.2017	VH RP



- 1 TE LOGO
TE Logo
- 2 ORDER NUMBER
Bestell-Nummer
- 3 REVISIONS NUMBER
Werkzeugaenderungsindex
- 4 MATERIAL MARKING
Werkstoffkennzeichnung
- 5 CAVITY MARKING
Nestmarkierung
- 6 SAAB LOGO
SAAB logo
- 7 CUSTOMER PART NO.
Kundenartikel-Nummer
- 8 PRODUCTION DATE
Produktions Datum
- 9 LOOSE PARTS PACKAGED IN CARTON
Verpackung, Lose im Karton
- 10 COUNTER PART JPT HOUSING 16 POS. ASS'Y PN 963217
Gegenstueck JPT housing 16 pos. Ass'y PN 963217



1452317-1	PA6-(GB20+GF10)	A	1	BLACK	COVER	1
TE PART NO.	MATERIAL	REV.	PCS	COLOUR	DESCRIPTION	ITEM NO.

THIS DRAWING IS A CONTROLLED DOCUMENT.		OWN: 05 JUL 2017																
DIMENSIONS: mm		CHK: VISHWANATH H 13 JUL 2017																
TOLERANCES UNLESS OTHERWISE SPECIFIED:		APPROV: POSPECH RADEK 13 JUL 2017	NAME: COVER, JPT HSG., 16 POS.															
<table border="1"> <tr> <td>1</td><td>PLC</td><td>±</td></tr> <tr> <td>2</td><td>PLC</td><td>±</td></tr> <tr> <td>3</td><td>PLC</td><td>±</td></tr> <tr> <td>4</td><td>PLC</td><td>±</td></tr> </table>		1	PLC	±	2	PLC	±	3	PLC	±	4	PLC	±	±0.3	PRODUCT SPEC: 108-18798-1			
1	PLC	±																
2	PLC	±																
3	PLC	±																
4	PLC	±																
ANGLES FINISH		±0.5	APPLICATION SPEC: 114-18492-1															
MATERIAL: PA6-(GB20+GF10)		WEIGHT: 9 g	SIZE: A1	CAGE CODE: 00779	DRAWING NO: C=1452317	RESTRICTED TO: -												
CUSTOMER DRAWING			SCALE: 2:1	SHEET: 1 OF 1	REV: A													