

24

2411 04

USB and IEEE 1394 connectors

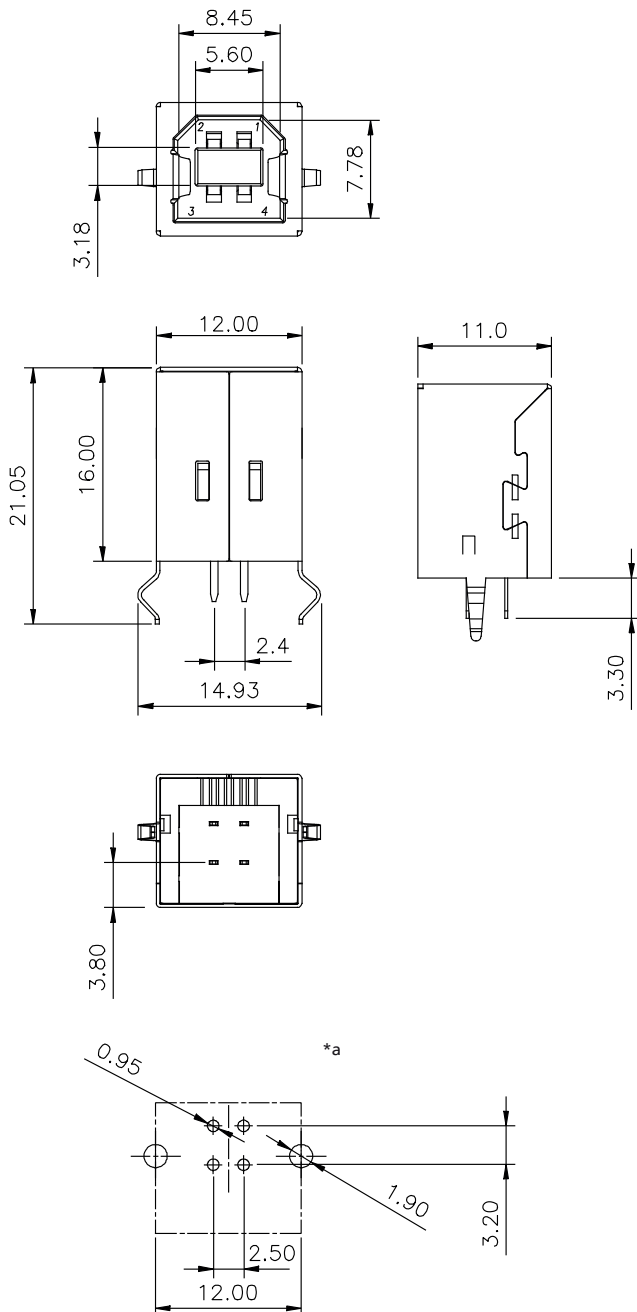


USB 2.0 chassis socket type B, upright version, for printed circuit boards

State: Obsolete

24

2411 04



*a printed circuit board layout

Environmental conditions

Temperature range -40 °C/+85 °C

Materials

Insulating body PBT, V-0 according to UL94
Contact spring CuSn, gold-plated
Housing CuZn, nickel-plated

Mechanical data

Mating cycles 1500
Insertion force ≤ 35 N
Withdrawal force ≥ 10 N

Electrical data (at T_{amb} 20 °C)

Contact resistance ≤ 30 m Ω
Rated current ≤ 1 A
Rated voltage 30 V AC
Rated impulse voltage 500 V/60 s
Insulation resistance ≥ 100 M Ω

Associated products

24

2411 04

Designation	Pole Number	PU (Pieces)	MDQ (Pieces)
2411 04	4	100	600

Packaging:
in a tray