

Overview

KEMET's QFS pyroelectric flame sensors combine high sensitivity with fast response times and high dynamic range to ensure rapid and accurate detection of small and large flames, nearby or over larger distances.

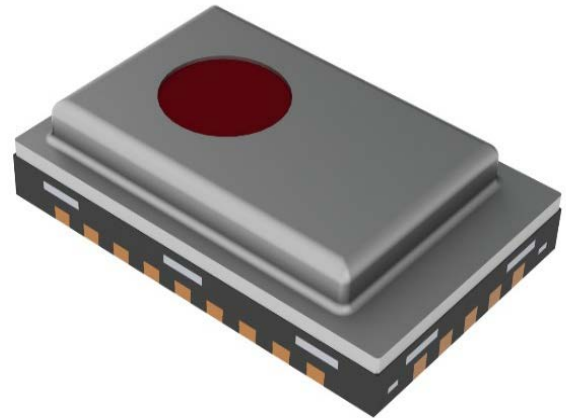
These high quality sensors, in their small SMD package, integrate a digital, current mode read-out offering high responsivity over the full frequency range of flame flicker from 3 – 30 Hz. Industry standard I²C communication enables plug-and-play connectivity to microcontrollers and allows easy tuning and calibration. Programmable gain and filtering offer maximum flexibility in system design, and various optical filter options are also available. These sensors can be connected together in a linear series for synchronized sampling across devices.

Their long and maintenance-free operational lifetime and various low power modes make these sensors ideal for any smart or IoT type of applications.

For additional sources of information, please refer to the [Environmental Sensors page on KEMET.com](#)

Applications

- Smart home
- Smart building
- Industrial IoT
- Transportation



Benefits

- High sensitivity with fast response time
- High dynamic range
- Small SMD package
- Digital output and I²C communication
- Programmable gain and filtering
- Various optical filter options
- Integrated configurable amplifier, filter and ADC
- Low power consumption
- Sensor modules and digital evaluation kit available for easy evaluation and quick prototype development (ref QFSM Series)

Ordering Information

USE	QFS	E	A	22L1	8	0
Product Family	Series	Sensor Type	Mounting Type	Specification	Packaging	Version
Sensors	QFS = SMD IR Flame Sensors	E = Serial output	A = Sensor only	0000 = Fixed 22L1 = 2.2 μm long pass (broadband flame detection) 50L1 = 5.00 μm long pass (human motion rejection) 3911 = 3.91 μm (rejection channel) 4641 = 4.64 μm (flame channel with wide FoV) 4481 = 4.48 μm (flame channel with main detector)	8 = 7" Tape & Reel	0

Environmental Compliance

All KEMET Flame Sensors are RoHS and REACH Compliant.



Article 33(1) of the REACH Regulation states that manufacturers and importers of articles (products) are required to notify their customers of the presence of any Substances of Very High Concern (SVHC) in their products exceeding 0.1% by weight and provide instructions on safe use of the product.

KEMET Corporation reports regarding the Article 33(1) of REACH Regulation as follows:

1. *Applicable Product: Flame Sensors (QFC, QFCE, QFS & QFSM series)*

2. *Report for the content of REACH SVHC list:*

The product(s) above contains a substance by more than 0.1wt% per product weight that was published in the 8th update of the REACH SVHC substances (December 19, 2012).

3. *Regarding the safety of the flame sensors (Piezoceramic products):*

The Piezoceramic that is used in this product becomes ceramic by sintering powder containing PZT as the main ingredient. It is chemically stable, with minimum risks toward the human body or environment within the intended use of the product. Please note that risks could occur in the case of inhalation or accidental oral uptake of powder ceramics.

4. *Technical product information on the flame sensors (Piezoceramic products):*

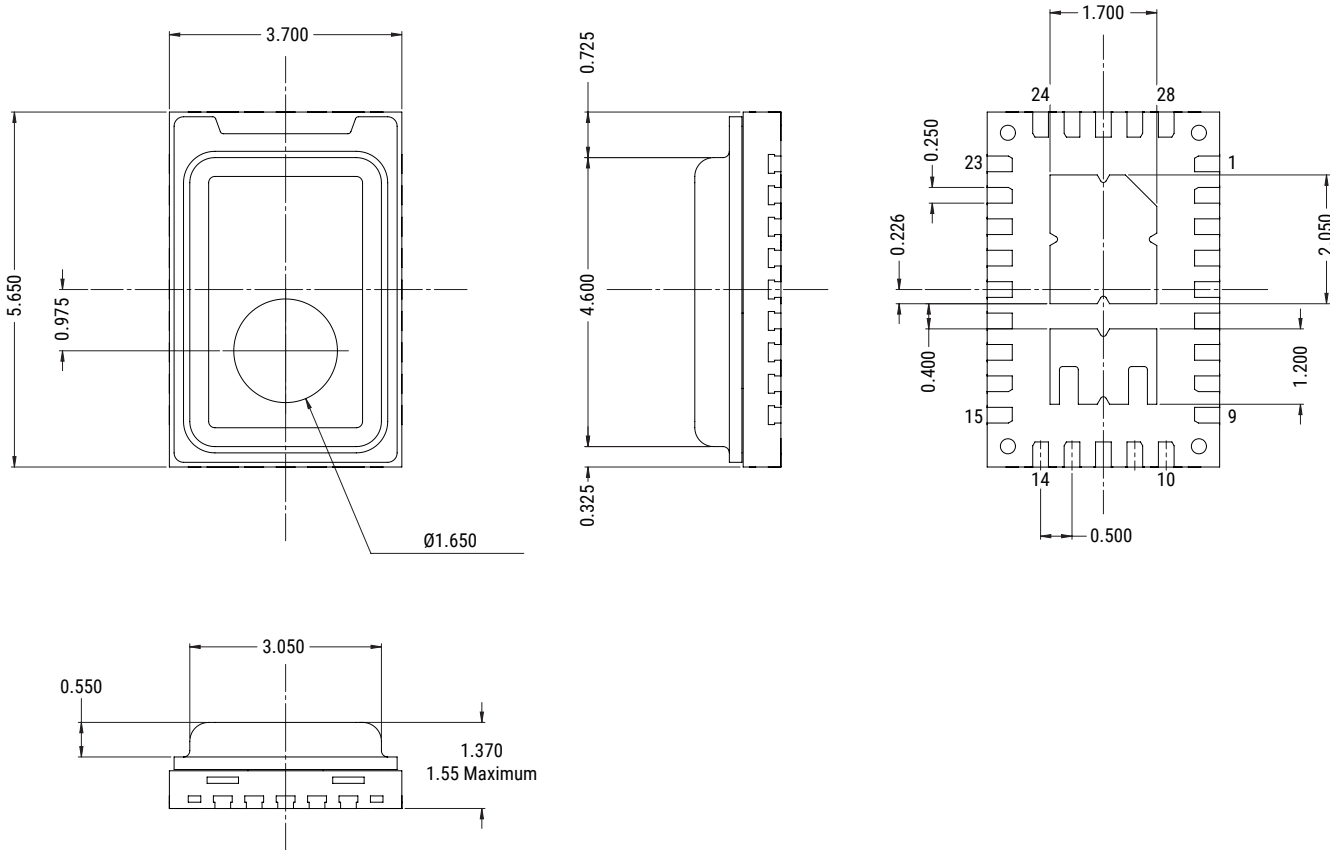
The manufacturing technique of the "piezoceramic products" whose main ingredient is Lead Titanium Zirconium Oxide (PZT) has been established, and there is no alternative material that can exhibit superior performance than PZT at this moment. Please note that the piezoceramic is listed as an exempt on RoHS (2011/65/EU) AnnexIII (7c.1).

5. *The responsibility of piezoceramic manufacturers:*

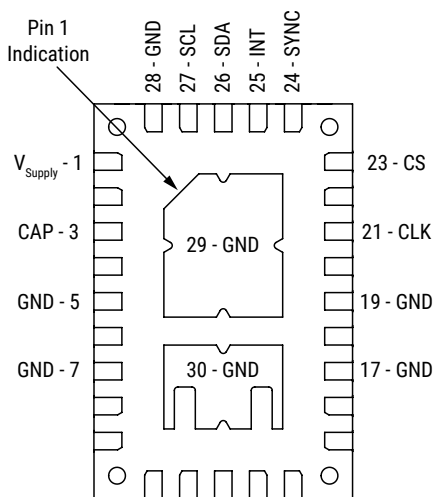
Piezoceramic manufacturers report information regarding PZT containment in their products to the customers to obey the article 33 of the REACH regulation

Dimensions – Millimeters

Sensor



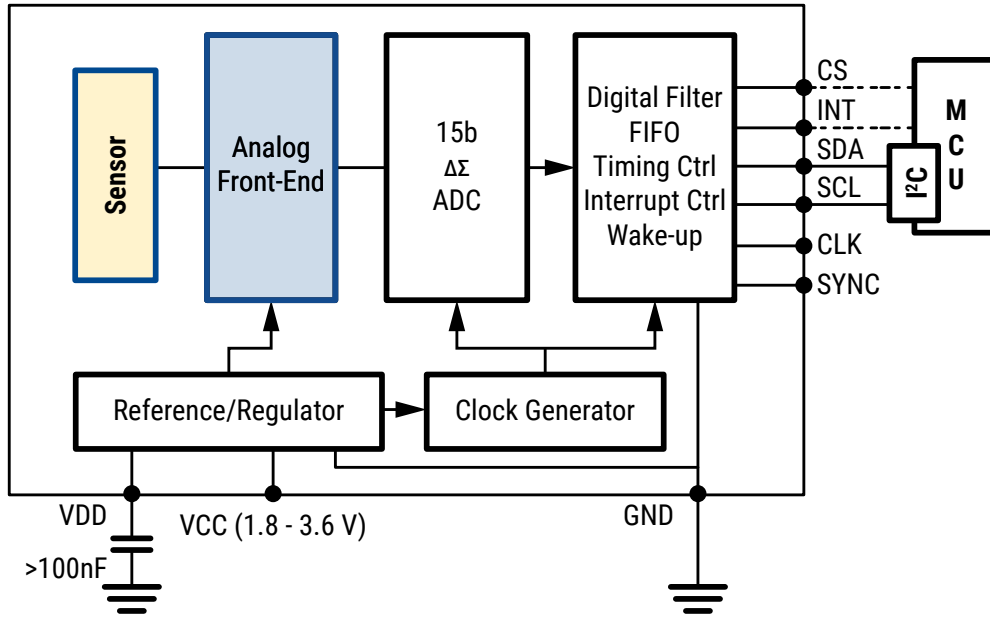
Pin Configuration of Sensor



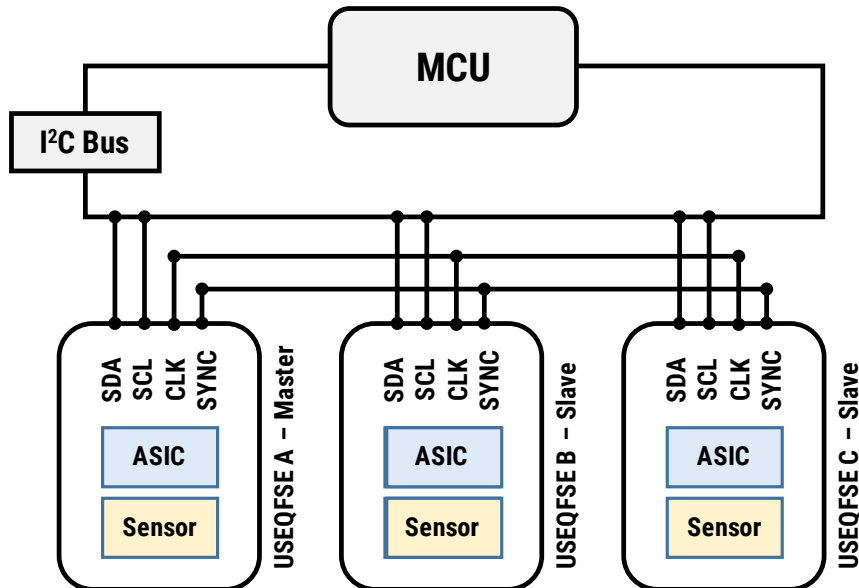
Transparent Top View

Recommended Circuit Diagram

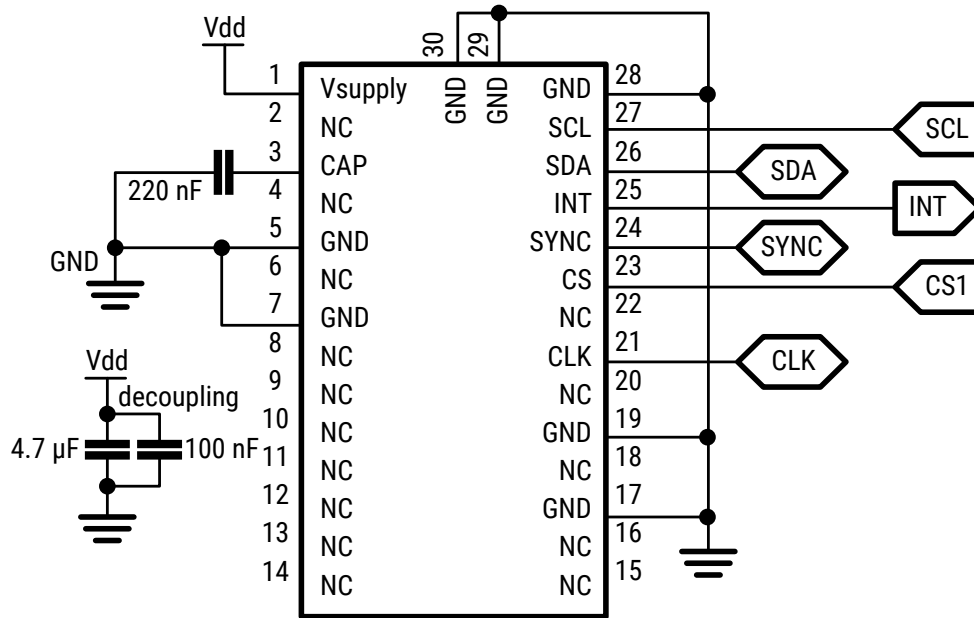
Single Device Block Diagram



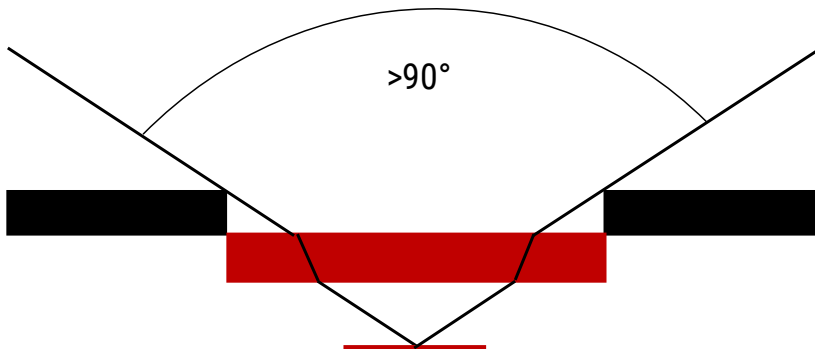
Three Devices with Synchronised Sampling



Recommended Circuit Diagram cont.



Field of View



Performance Characteristics

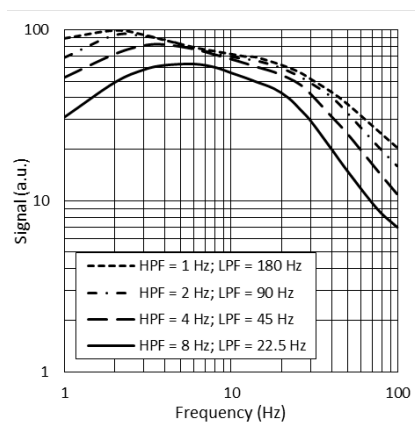
Signal Filtering & Power Modes

Power Mode (base sample rate)	High Pass Filter – Analog (Hz)					Fixed Analog Low Pass Filter (Hz)	Fixed Digital Low Pass Filter (Hz)	Digital Low Pass Filter (Hz)				Maximum ADC Sampling Rate (sps)
	Off	1.0	2.0	4.0	8.0			180.0	90.0	45.0	22.5	
Normal Power Mode	Off	1.0	2.0	4.0	8.0	600	250	180.0	90.0	45.0	22.5	1,000
Low Power Mode	Off	0.17	0.33	0.66	1.30	100	42	30.00	15.00	7.50	3.75	166

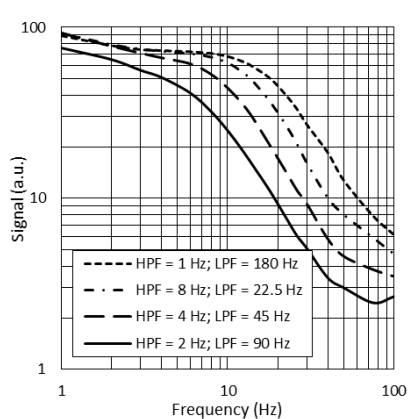
Item	Mode	Description	Typical Current Consumption (1.8 V, room temperature)
Power consumption	Normal Power Mode	Normal power consumption, 1 kHz maximum sample rate	22 μ A
	Low Power Mode	Low power consumption, 166 Hz maximum sample rate	3.5 μ A
Operational state	Normal Operation Mode	Sensor signal readout over I ² C	22 μ A
	Sleep Mode	Hardware interrupt on infrared trigger	21 μ A (Normal Power Mode) 3.5 μ A (Low Power Mode)
	Power Down Mode	Sensor is disabled	1.1 μ A

Infrared Frequency Characteristics

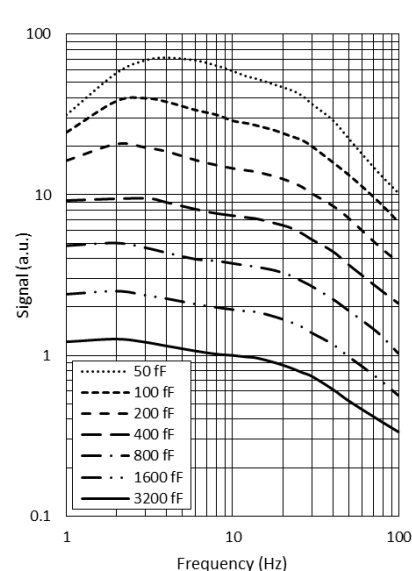
Typical Frequency Response in Normal Power Mode



Typical Frequency Response in Low Power Mode



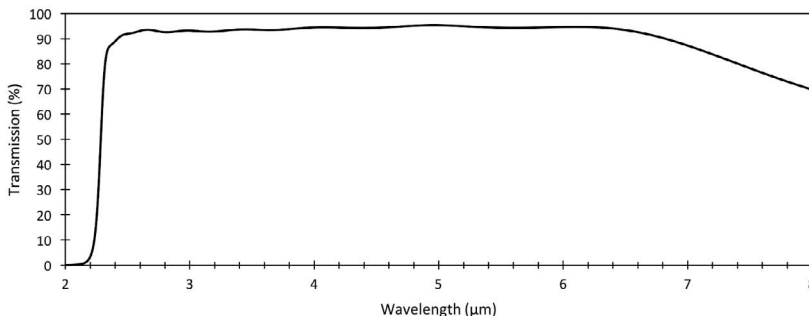
Typical Frequency Response at Different Gain Settings



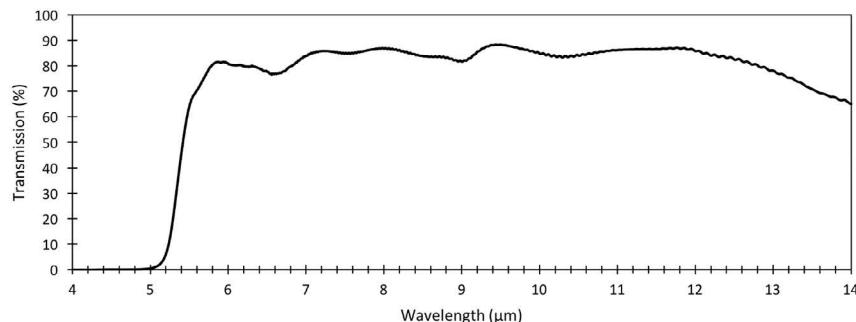
Performance Characteristics cont.

Filter Transmission Profiles

Typical 2.2 μm LP Filter Transmission



Typical 5.0 μm LP Filter Transmission



Part Number Specifications

Sensor Characteristics

Filter Aperture (mm)	Element Size (mm ²)	SMD Package (mm)	D* ¹ (cm√Hz/W) Typical	NEP ¹ (W/√Hz) Typical	Time Constant (ms) at 10-20 Hz peak	Field of View
φ 1.65	0.64 x 0.64	5.65 x 3.70 x 1.55	2.5 x 10 ⁸	2.7 x 10 ⁻¹⁰	~10	~90°

¹ 10 Hz, 500 K, room temperature, without window and optics.

Electrical Characteristics

Supply Voltage (V)	Supply Current (μA) Typical	Digital I/O	ΔΣ ADC at 1 ksp	Operating Temperature Range (°C)	Storage Temperature Range (°C)	Sensor Read-out	Configurable
1.75 to 3.60	1 to 23	I ² C (FM+ compatible)	15 bit	-40 to +85	-40 to +110	Current mode	Gain Digital filtering Sampling rate Power modes

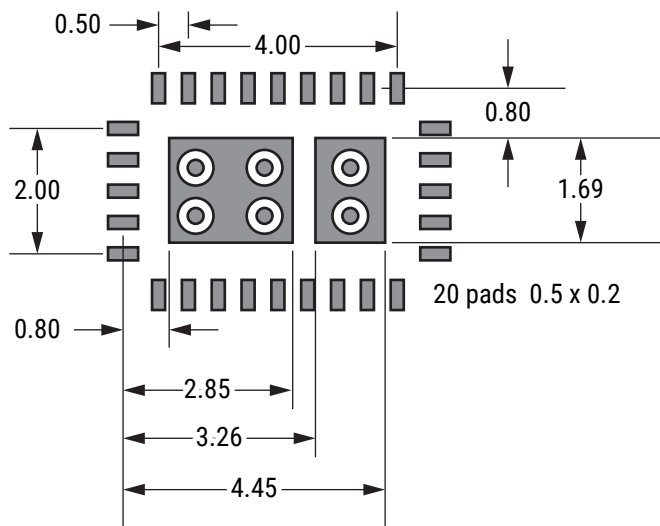
Part Number Specifications cont.

Part Number (Sensor)

Part Number	Filter(μm)	Filter BW (nm)	Comment	Weight (gr)
USEQFSEA22L180	2.20	Long pass	Broadband flame detection	0.07
USEQFSEA50L180	5.00	Long pass	Human motion rejection	0.07
USEQFSEA391180	3.91	90	Rejection channel	0.07
USEQFSEA464180	4.64	180	Flame channel (wide FoV)	0.07
USEQFSEA448180	4.48	620	Flame channel (main detector)	0.07

Landing Pattern

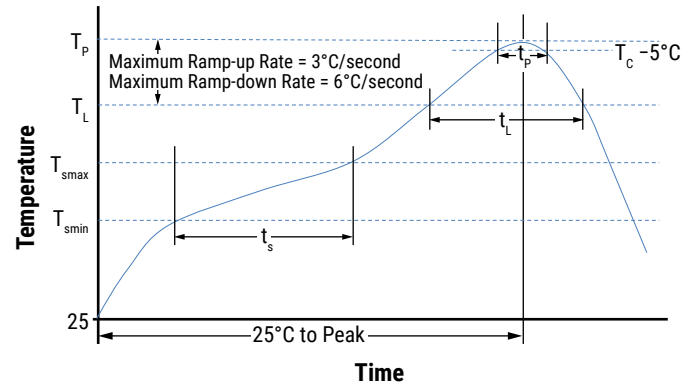
Recommended PCB Landing Pattern - Millimeters



Soldering Process

Recommended Reflow Soldering Profile

Profile Feature	Pb-Free Assembly
Preheat/Soak	
Temperature Minimum (T_{smin})	150°C
Temperature Maximum (T_{smax})	200°C
Time (t_s) from T_{smin} to T_{smax}	60 – 120 seconds
Ramp-Up Rate (T_L to T_p)	3°C/second maximum
Liquidous Temperature (T_L)	217°C
Time Above Liquidous (t_L)	60 – 150 seconds
Peak Temperature (T_p)	260°C
Time within 5°C of Maximum Peak Temperature (t_p) ¹	30 seconds maximum
Ramp-Down Rate (T_p to T_L)	6°C/second maximum
Time 25°C to Peak Temperature	8 minutes maximum

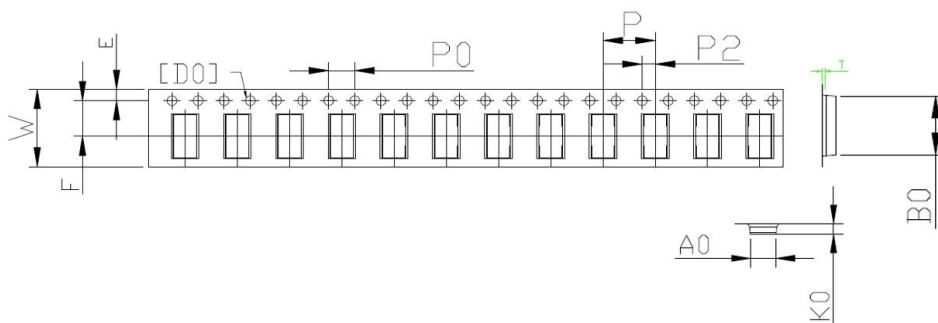


¹ Tolerance for peak profile temperature (TP) is defined as a supplier minimum and as a user maximum.

Packaging

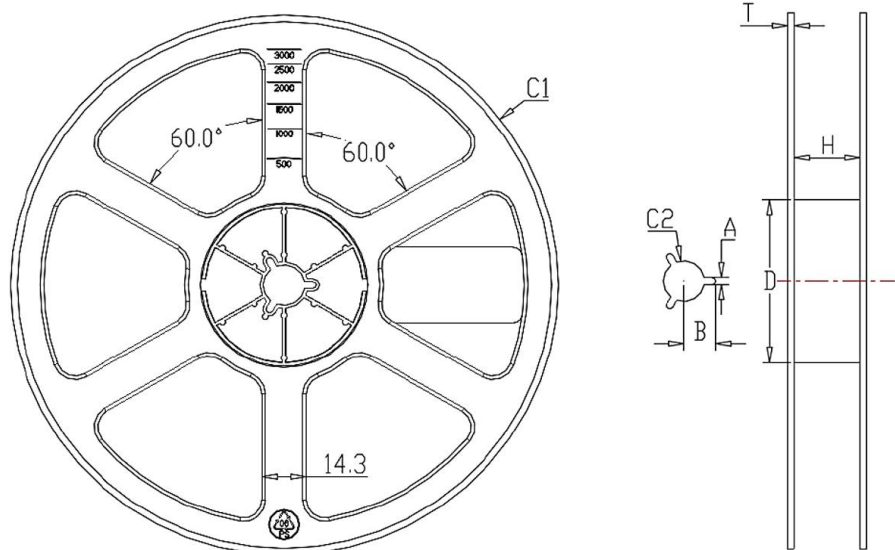
Series	Packaging Type	Pieces per Reel
QFS	7" Tape & Reel	800

Taping Specification



	Dimensions (mm)										
	P0	P	T	P2	W	A0	B0	K0	E	F	D0
Minimum	3.90	7.90	0.25	1.90	11.70	3.90	5.85	1.65	1.65	5.40	1.50
Typical	4.00	8.00	0.30	2.00	12.00	4.00	5.95	1.75	1.75	5.50	1.50
Maximum	4.10	8.10	0.35	2.10	12.30	4.10	6.05	1.85	1.85	5.60	1.60

Reel Specification



	Dimensions (mm)						
	C1	C2	A	B	H	T	D
Tolerance	±1.0	±0.2	±0.2	±0.2	±0.5	±0.2	±0.5
Nominal	Ø178	13.5	2.3	10.4	12.5	1.6	Ø54

Handling Precautions

Pyroelectric Infrared Sensors should be kept away from indirect and direct sunlight, the headlights of cars, wind, and exposure to strong vibration and strong shock.

Do not use in water, alcohol ETA, corrosive gas or under sea breeze.

Do not be expose to corrosive substances.

Do not drop or apply any mechanical stress.

The performance of this device can be affected by ESD. Precautions should be used when handling and installing the sensor. Precision devices such as this sensor can be damaged or caused not to meet published specification due to ESD. Please note that there is limited ESD protection built-in as the device is optimised for low power consumption and low noise operation. Human Body Model (HBM), per JS-001: 2,000 V.

The sensor is classed as Moisture Sensitivity Level 3 (MSL-3). The package should be handled according to IPC/JEDEC J-STD-20.

Pyroelectric Infrared Sensors should be stored in normal working environments.

Solderability will be degraded by exposure to high temperatures, high humidity, corrosive atmospheres, and long-term storage.

KEMET recommends that ambient storage conditions are < 30°C and < 60% relative humidity and that maximum storage temperature does not exceed 110°C. Atmospheres should be free of chlorine and sulfur-bearing compounds.

Temperature fluctuations should be minimized to avoid condensation on the parts.

For optimized solderability sensors stock should be used promptly, preferably within 24 months of receipt.

KEMET Electronics Corporation Sales Offices

For a complete list of our global sales offices, please visit www.kemet.com/sales.

Disclaimer

YAGEO Corporation and its affiliates do not recommend the use of commercial or automotive grade products for high reliability applications or manned space flight.

All product specifications, statements, information and data (collectively, the "Information") in this datasheet are subject to change. The customer is responsible for checking and verifying the extent to which the Information contained in this publication is applicable to an order at the time the order is placed. All Information given herein is believed to be accurate and reliable, but it is presented without guarantee, warranty, or responsibility of any kind, expressed or implied.

Statements of suitability for certain applications are based on KEMET Electronics Corporation's ("KEMET") knowledge of typical operating conditions for such applications, but are not intended to constitute – and KEMET specifically disclaims – any warranty concerning suitability for a specific customer application or use. The Information is intended for use only by customers who have the requisite experience and capability to determine the correct products for their application. Any technical advice inferred from this Information or otherwise provided by KEMET with reference to the use of KEMET's products is given gratis, and KEMET assumes no obligation or liability for the advice given or results obtained.

Although KEMET designs and manufactures its products to the most stringent quality and safety standards, given the current state of the art, isolated component failures may still occur. Accordingly, customer applications which require a high degree of reliability or safety should employ suitable designs or other safeguards (such as installation of protective circuitry or redundancies) in order to ensure that the failure of an electrical component does not result in a risk of personal injury or property damage.

Although all product-related warnings, cautions and notes must be observed, the customer should not assume that all safety measures are indicated or that other measures may not be required.

When providing KEMET products and technologies contained herein to other countries, the customer must abide by the procedures and provisions stipulated in all applicable export laws and regulations, including without limitation the International Traffic in Arms Regulations (ITAR), the US Export Administration Regulations (EAR) and the Japan Foreign Exchange and Foreign Trade Act.

KEMET is a registered trademark of KEMET Electronics Corporation.