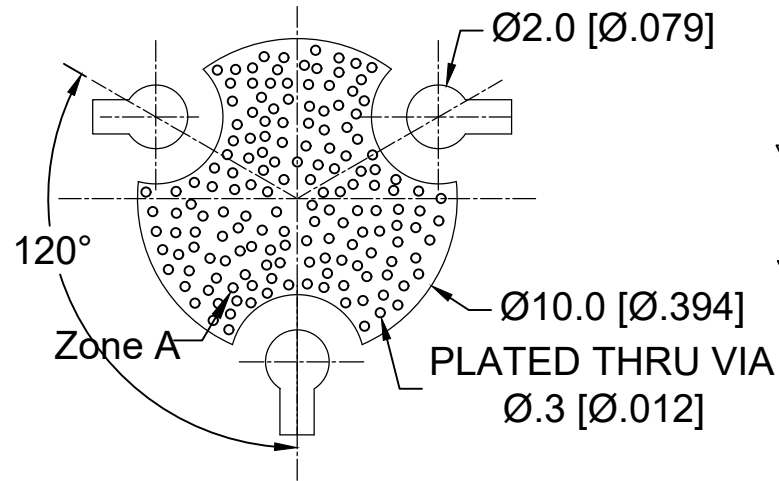
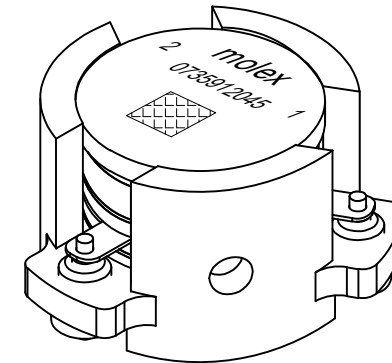
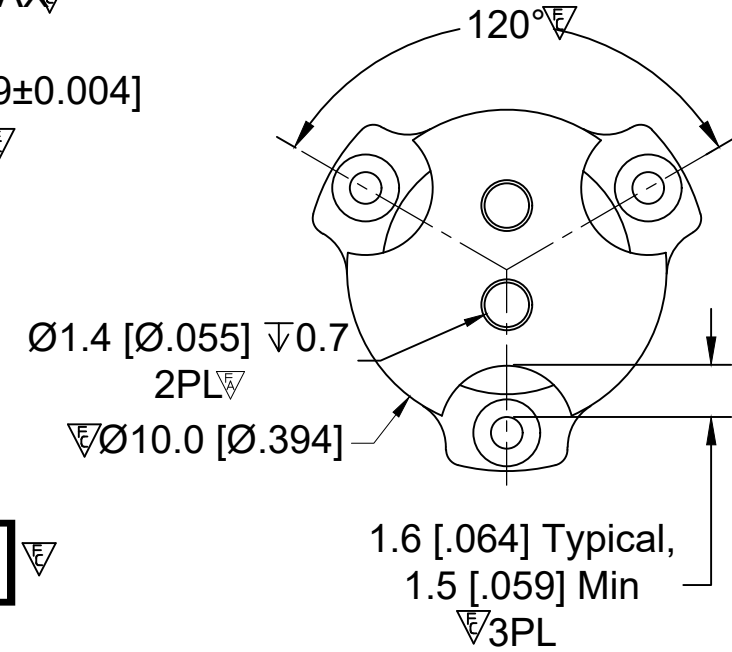
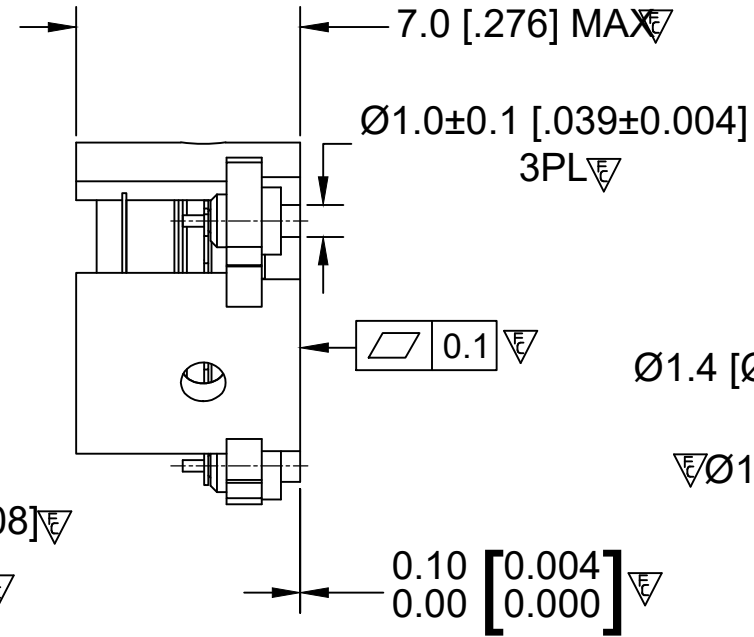
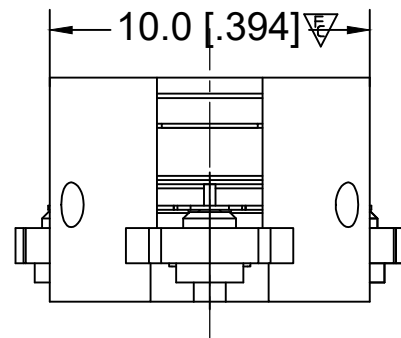
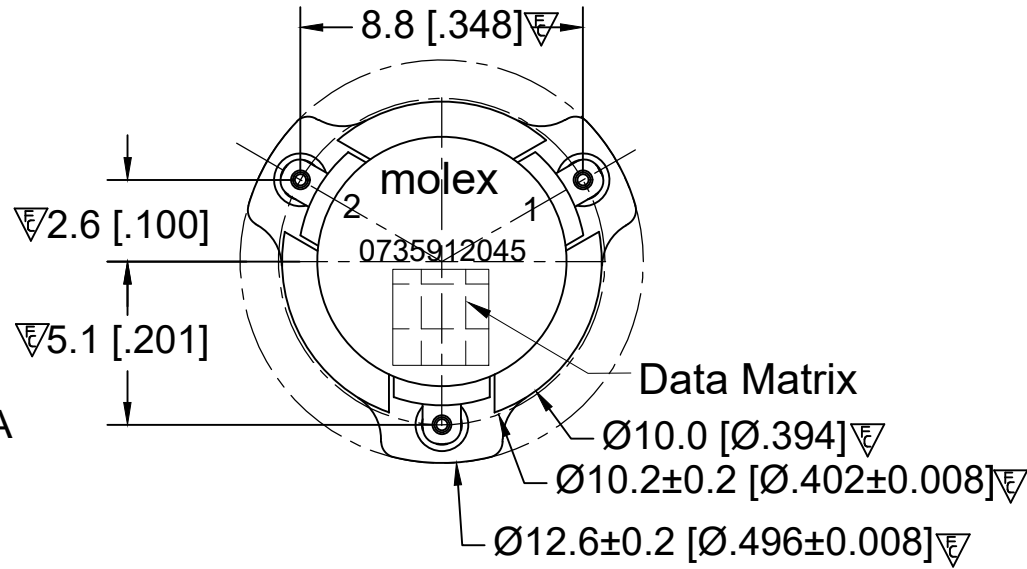


RECOMMENDED LAND PATTERN :

Zone A must be attached to heat sink. Thermal conductivity of intermediate layers between Zone A and heat sink must be better than 0.1 W / [°C x mm].



PCB Material :Rogers RO4350B,0.508mm thickness
trace width 1.07mm wide.



BODY: CARBON STEEL, SILVER PLATED
RIGID PINS: COPPER, SILVER PLATED

NOTES:

- STANDARD INPUT/OUTPUT IMPEDANCE 50 Ohm
- LEAD FREE, NO Nd MATERIAL, BeO FREE
- THE DIMENSION OF DATE MATRIX IS 3X3MM INFORMATION INCLUDING WORK ORDER NUMBER-SERIAL NUMBER-MATERIAL NUMBER
- THIS PART COMPLIES WITH ALL RoHS REQUIREMENTS

ELECTRICAL SPECIFICATION :

Frequency Range : 3400~3600 MHz
Insertion Loss : 0.35 dB max
Isolation : 20 dB min
Return Loss : 20 dB min
IMD3(2x5 W, 1 MHz space) : -60dBc max
Input Power: : 50W
Peak Power: : 200W
Operating Temperature : -40°C to +105°C
Storage Temperature : -40°C to +125°C
Direction : CCW

ENG PART#:812-340-360-VP040

THIS DRAWING CONTAINS INFORMATION THAT IS PROPRIETARY TO MOLEX ELECTRONIC TECHNOLOGIES, LLC AND SHOULD NOT BE USED WITHOUT WRITTEN PERMISSION									
FUNCTIONAL SYMBOLS	DIMENSION UNITS	SCALE	CURRENT REV DESC:						
FA=0	MM	1:1	RELEASE TO PROD						
FE=0	GENERAL TOLERANCES (UNLESS SPECIFIED)		EC NO: 696580						
FP=0			DRWN: SREN05 2022/02/21						
DIVISIONAL SYMBOLS			CHK'D: JLI252 2022/02/23						
			APPR: HWANG186 2022/03/01						
			INITIAL REVISION:						
			DRWN: SREN05 2021/11/15						
			APPR: HWANG186 2022/03/01						
			ANGULAR TOL ± 1.5 °						
	DRAFT WHERE APPLICABLE MUST REMAIN WITHIN DIMENSIONS		THIRD ANGLE PROJECTION	DRAWING	SERIES	MATERIAL NUMBER	CUSTOMER	SHEET NUMBER	
			⊕	A3-SIZE	73591	0735912045	CUSTOM PART	1 OF 1	
			molex				SMSJ CIRCULATOR/3400~3600MHZ/CCW		
			RESTRICTED PRODUCT CUSTOMER DRAWING						
			DOCUMENT NUMBER		DOC TYPE		DOC PART		REVISION
			735912045		PSD		000		A