

Datasheet of SAW Duplexer 2520 Band7 for Base station

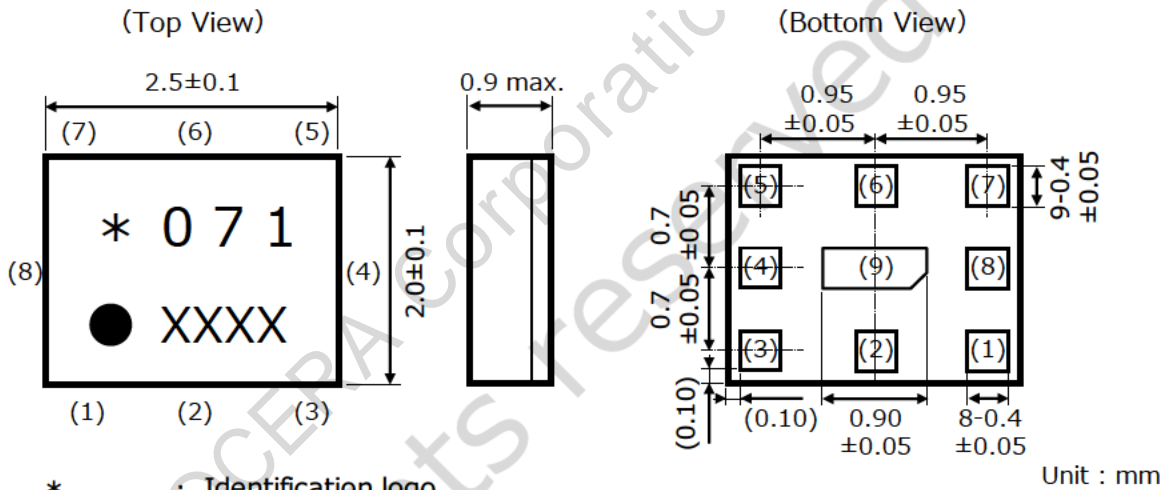
KYOCERA Part No. : SD25 2655R9UUA1

KYOCERA Corporation
All rights reserved

Rating

Items	Rating	Unit	Note
Operating Temperature Range	-40 to +95	deg.C	
Storage Temperature Range	-40 to +95	deg.C	
Max Input Power (Tx port)	+30	dBm	LTE 5MHz (PAR=6.95dB) 10 years @95deg.C
Tx Port Nominal Impedance	50	ohm	Unbalance
Ant. Port Nominal Impedance	50//2.4nH	ohm	Unbalance
Rx Port Nominal Impedance	50//9.1nH	ohm	Unbalance

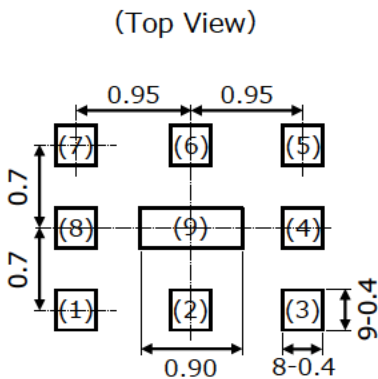
Dimensions



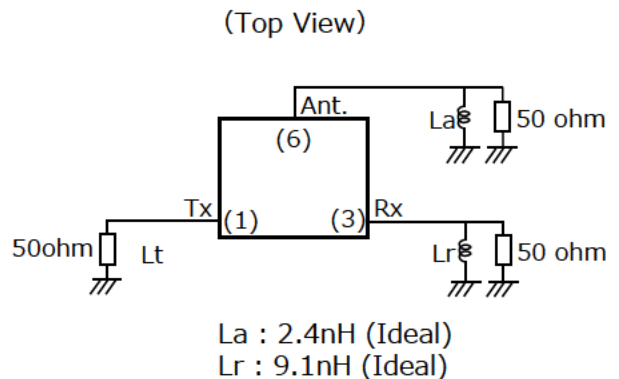
- * : Identification logo
- 071 : Identification no.
- : Index mark of pin 1
- XXXX : Production code

Pin No.	Function
(1)	Tx
(3)	Rx
(6)	Ant.
Others	GND

Recommendable Land Pattern



Measurement Circuit

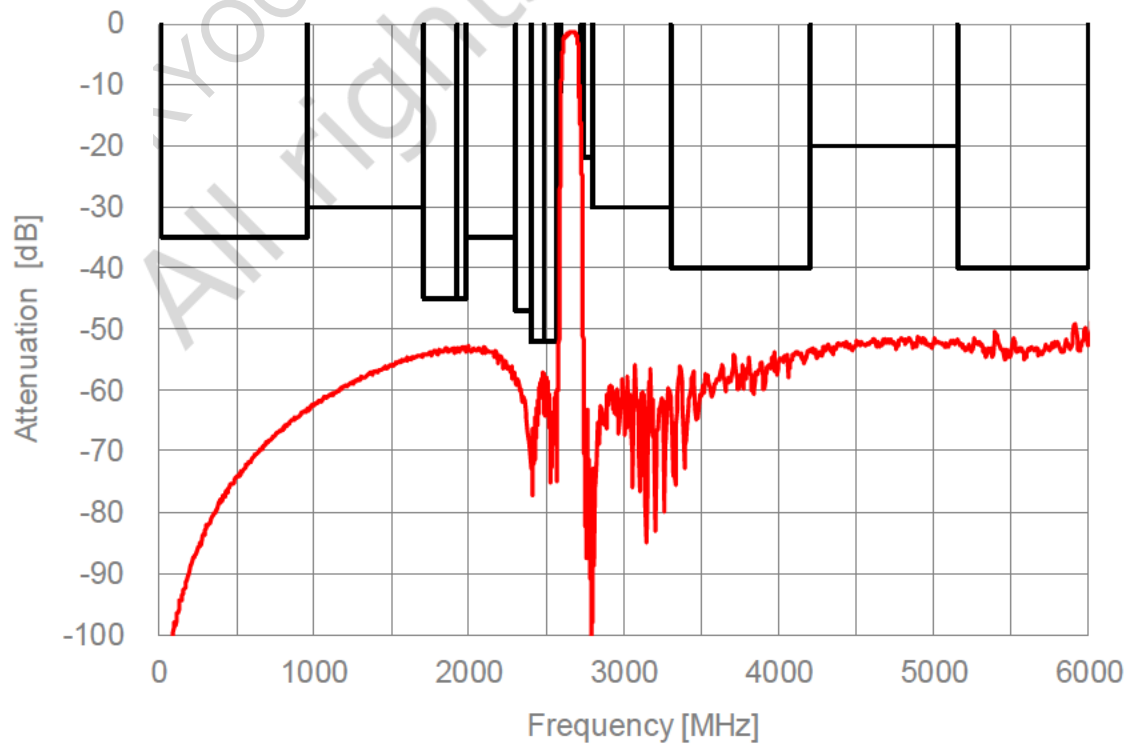
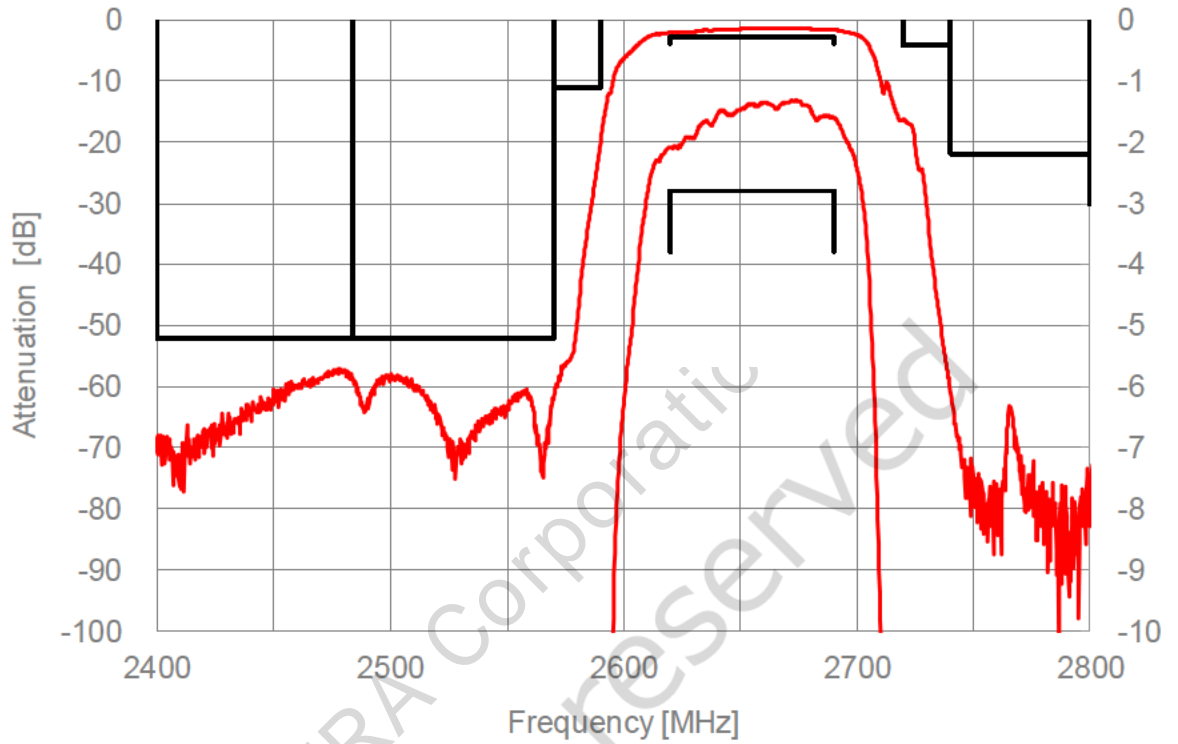


Electrical Characteristics

ITEMS		Frequency (MHz)	Characteristics			Unit	Note
			min.	typ.	max.		
Tx to Ant	Insertion Loss	2620 - 2690	/	2.0	2.8	dB	Average over any 10MHz
	Ripple	2620 - 2690	/	0.8	2.2	dB	
	VSWR (Tx)	2620 - 2690	/	1.6	2.0	-	
	VSWR (Ant)	2620 - 2690	/	1.6	2.0	-	
	Absolute Attenuation	10 - 960	35	63	/	dB	
		960 - 1710	30	54	/	dB	
		1710 - 1920	45	53	/	dB	
		1920 - 1980	45	53	/	dB	
		1980 - 2300	35	53	/	dB	
		2300 - 2400	47	58	/	dB	
		2400 - 2484	52	57	/	dB	
		2484 - 2570	52	58	/	dB	
		2570 - 2590	11	20	/	dB	
		2720 - 2740	4	16	/	dB	
		2740 - 2800	22	61	/	dB	
		2800 - 3300	30	56	/	dB	
3300 - 4200	40	53	/	dB			
4200 - 5150	20	51	/	dB			
5150 - 6000	40	49	/	dB			
Ant to Rx	Insertion Loss	2500 - 2570	/	1.8	3.0	dB	Average over any 5MHz
	Ripple(any 5MHz)	2500 - 2570	/	0.7	2.2	dB	
	VSWR (Rx)	2500 - 2570	/	1.7	2.2	-	
	VSWR (Ant)	2500 - 2570	/	1.6	2.2	-	
	Absolute Attenuation	10 - 700	30	65	/	dB	
		700 - 960	40	57	/	dB	
		960 - 1805	30	45	/	dB	
		1805 - 1990	39	43	/	dB	
		1990 - 2110	25	43	/	dB	
		2110 - 2170	39	43	/	dB	
		2170 - 2300	25	44	/	dB	
		2300 - 2400	40	48	/	dB	
		2400 - 2460	35	47	/	dB	
		2460 - 2470	20	40	/	dB	
		2470 - 2480	15	29	/	dB	
		2620 - 2690	50	55	/	dB	
2690 - 3300	25	46	/	dB			
3300 - 4200	35	47	/	dB			
4200 - 5150	25	44	/	dB			
5150 - 6000	25	43	/	dB			
Tx to Rx	Isolation	2500 - 2570	54	57	/	dB	Average over any 5MHz
		2620 - 2690	52	56	/	dB	Average over any 5MHz

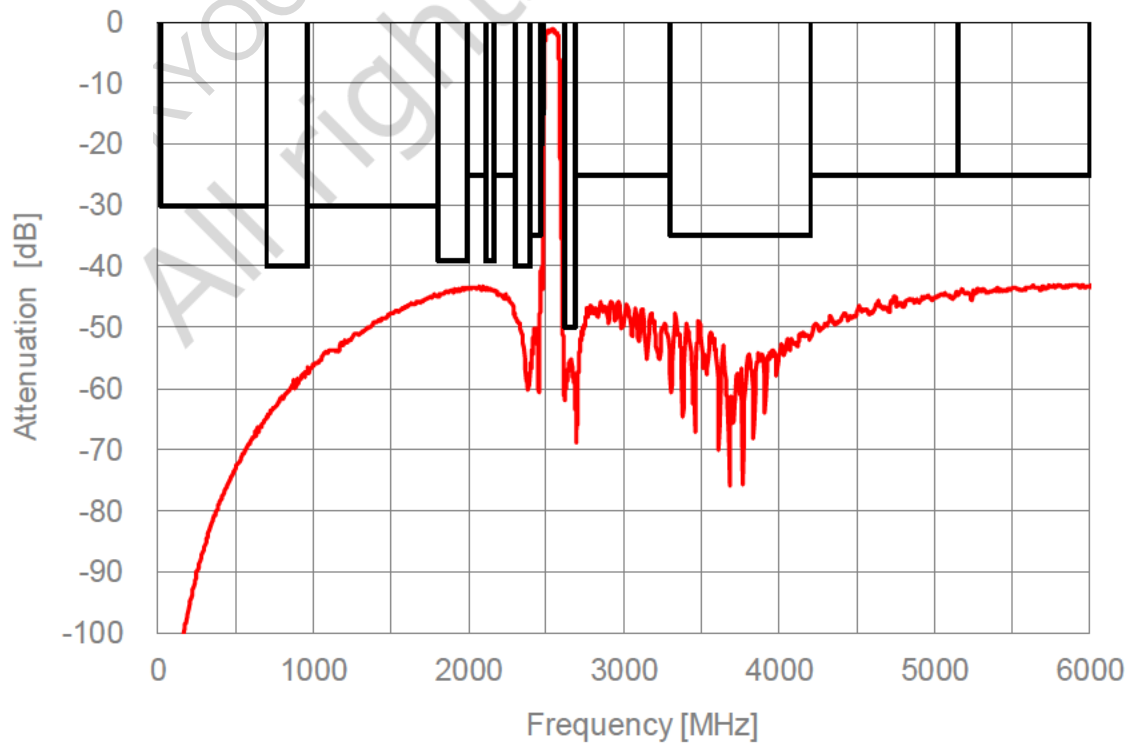
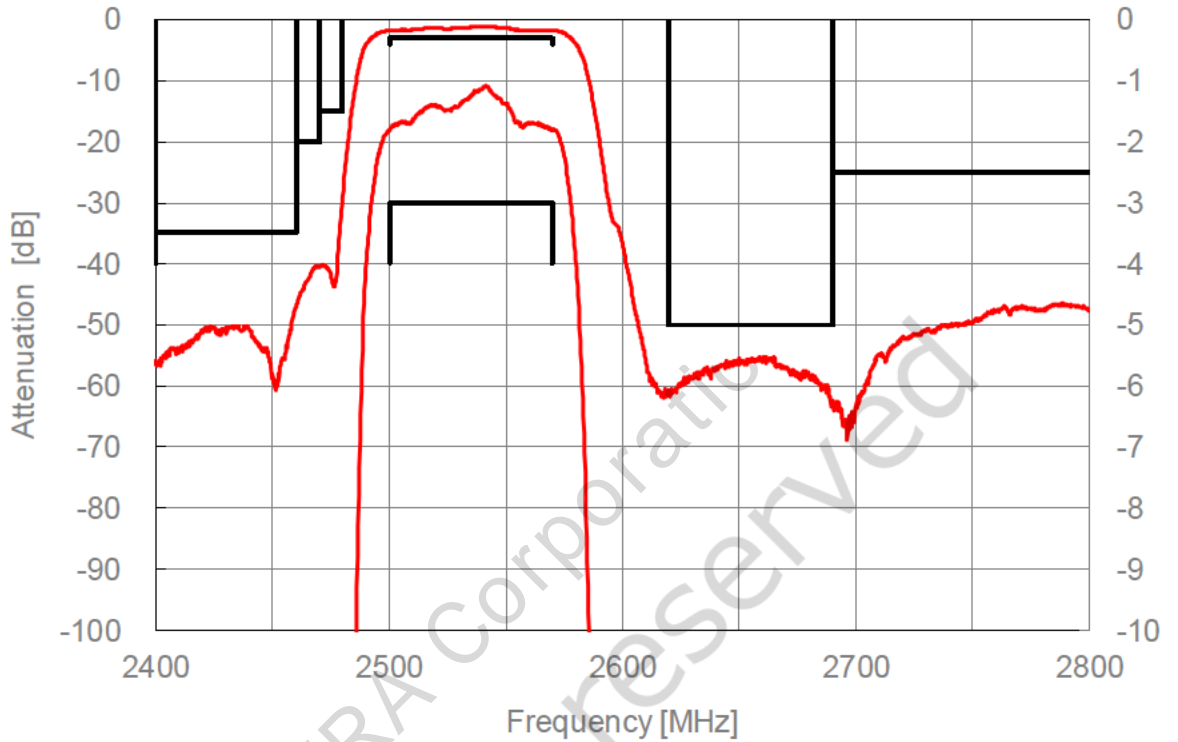
Electrical Characteristics

[Tx to Ant]



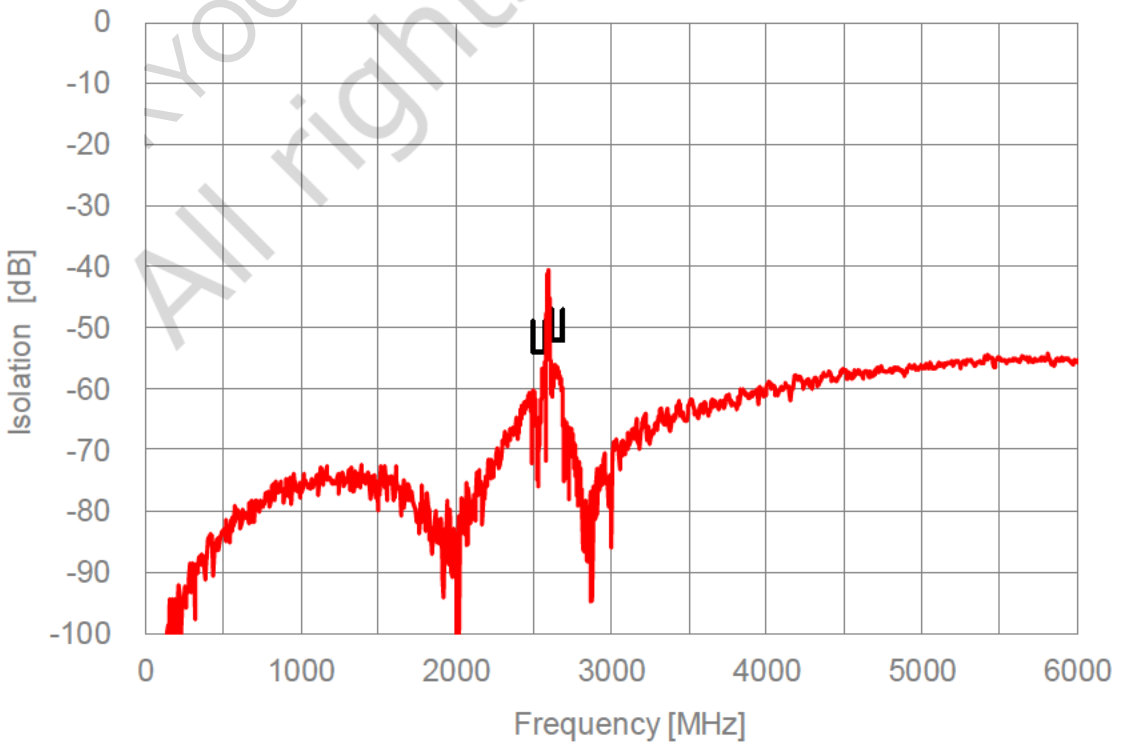
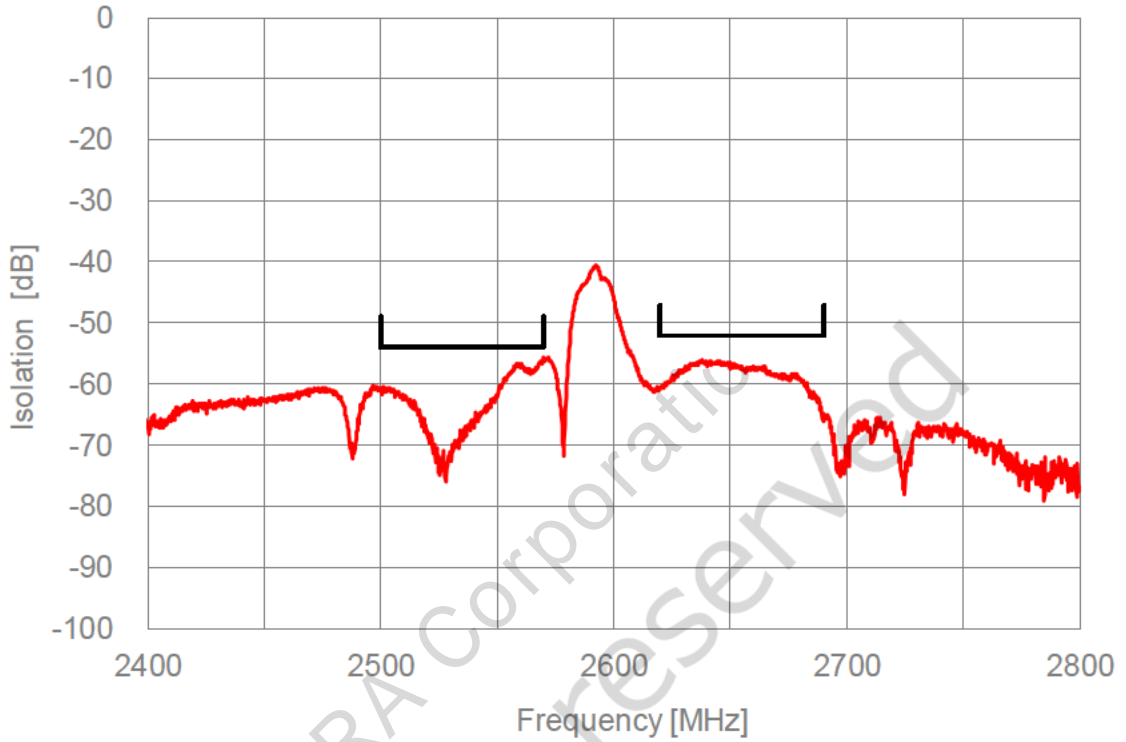
Electrical Characteristics

[Ant to Rx]

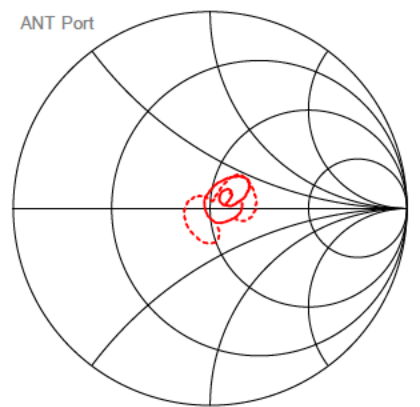
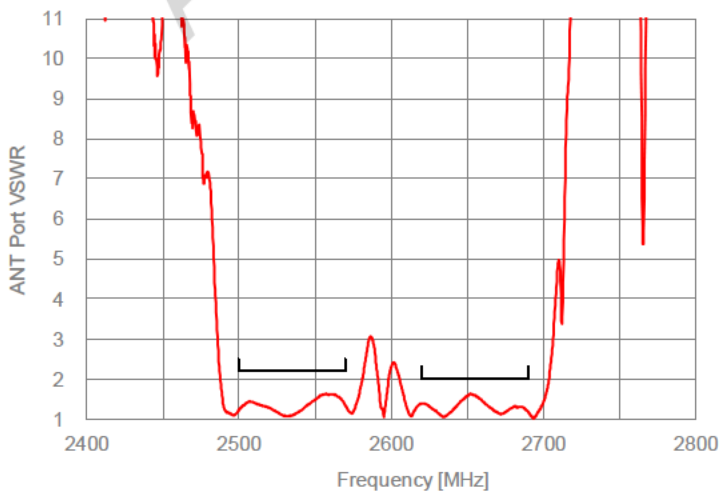
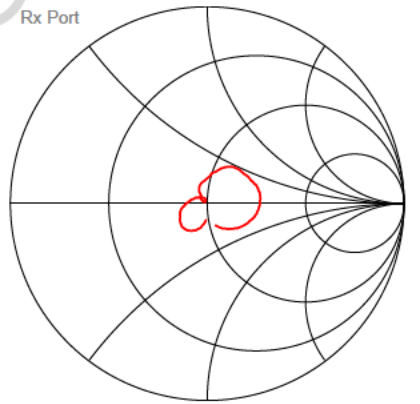
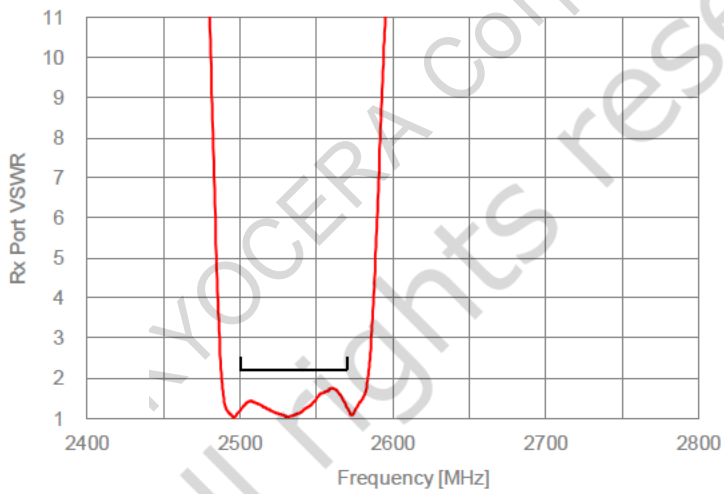
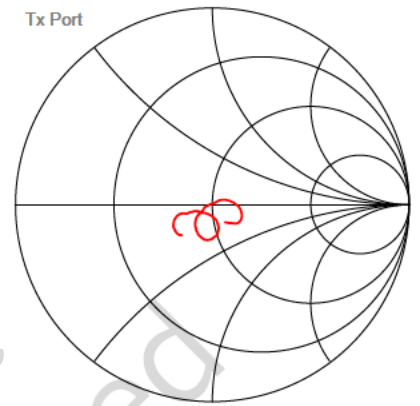
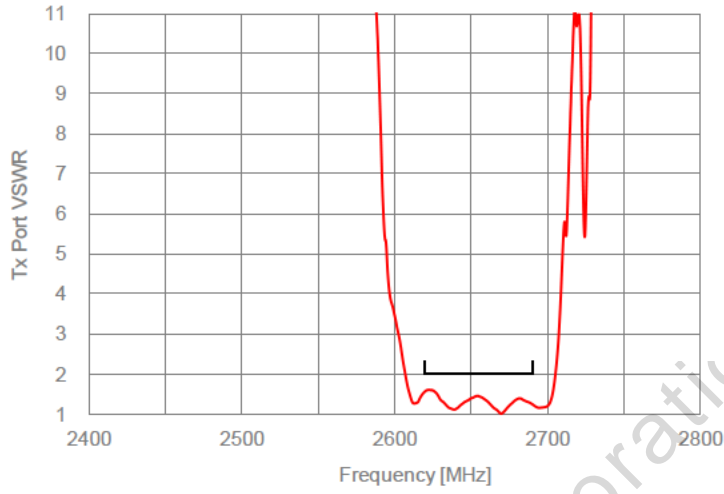


Electrical Characteristics

[Tx to Rx]

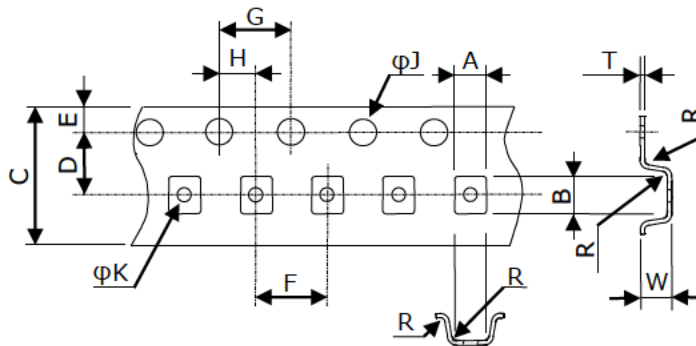


Electrical Characteristics



Tape & Reel Specification

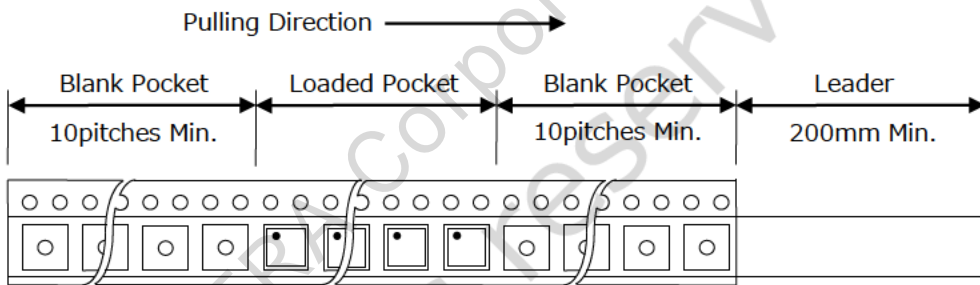
[Tape]



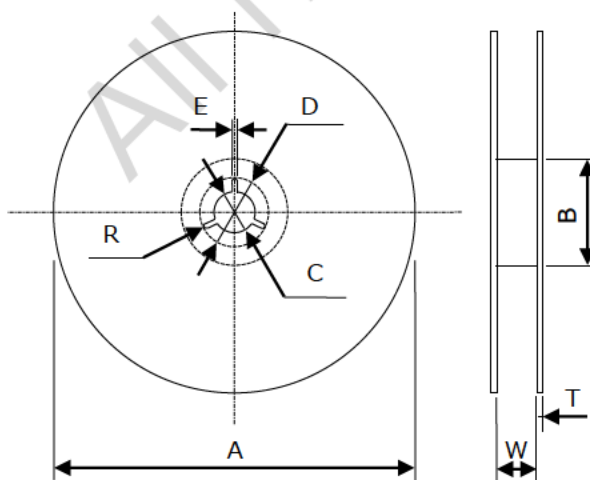
Unit : mm

Part	Dimension
A	2.3±0.1
B	2.8±0.1
C	8.0±0.1
D	3.50±0.05
E	1.75±0.10
F	4.0±0.1
G	4.0±0.1
H	2.00±0.05
φJ	1.5±0.1
φK	1.0±0.1
R	0.3 Max
W	0.9±0.1
T	0.20±0.05

W : Dimension is depth of pockets.



[Reel]



Unit : mm

Part	Dimension
A	178 ± 2
B	60 ± 2
C	13.0 ± 0.2
D	21.0 ± 0.8
E	2.0 ± 0.5
R	1
W	9.5 ± 1.0
T	2.0 ± 0.2

Notice

1. Characteristics described in this datasheet are for references specifications shall be based on written documents agreed by each party.
2. Contents in this datasheet are subject to change without notice. It is recommended to confirm the latest information at the time of usage. Also, this datasheet is revised once a year. We may not be able to accept requests based on old datasheets.
3. Products in this datasheet are intended to be used in general electronic equipment such as office equipment, audio and visual equipment, communication equipment, measurement instrument and home appliances. It is absolutely recommended to consult with our sales representatives in advance upon planning to use our products in applications which require extremely high quality and reliability such as aircraft and aerospace equipment, traffic systems, safety systems, power plant and medical equipment including life maintenance systems.
4. Even though we strive for improvements of quality and reliability of products, it is requested to design with enough safety margin in equipment or systems in order not to threaten human lives directly or damage human bodies or properties by an accidental result of products.
5. It is requested to design based on guaranteed specifications for such as maximum ratings, operating voltage and operating temperature. It is not the scope of our guarantee for unsatisfactory results due to misuse or inadequate usage of products in the datasheet.
6. Operation summaries and circuit examples in this datasheet are intended to explain typical operation and usage of the product. It is recommended to perform circuit and assembly design considering surrounding conditions upon using products in this datasheet.
7. Technical information described in this datasheet is meant to explain typical operations and applications of products, and it is not intended to guarantee or license intellectual properties or other industrial rights of the third party or Kyocera.
8. Trademarks, logos and brand names used in this datasheet are owned by Kyocera or the corresponding third party.
9. Certain products in this datasheet are subject to the Foreign Exchange and Foreign Trade Control Act of Japan, and require the license from Japanese Government upon exporting the restricted products and technical information under the law. Besides, it is requested not to use products and technical information in the datasheet for the development and/or manufacture of weapons of mass destruction or other conventional weapons, nor to provide them to any third party with the possibility of having such purposes.
10. It is prohibited to reprint and reproduce a part or whole of this datasheet without permission.