

## VAL-U-LOK

TE Internal #: 794955-3

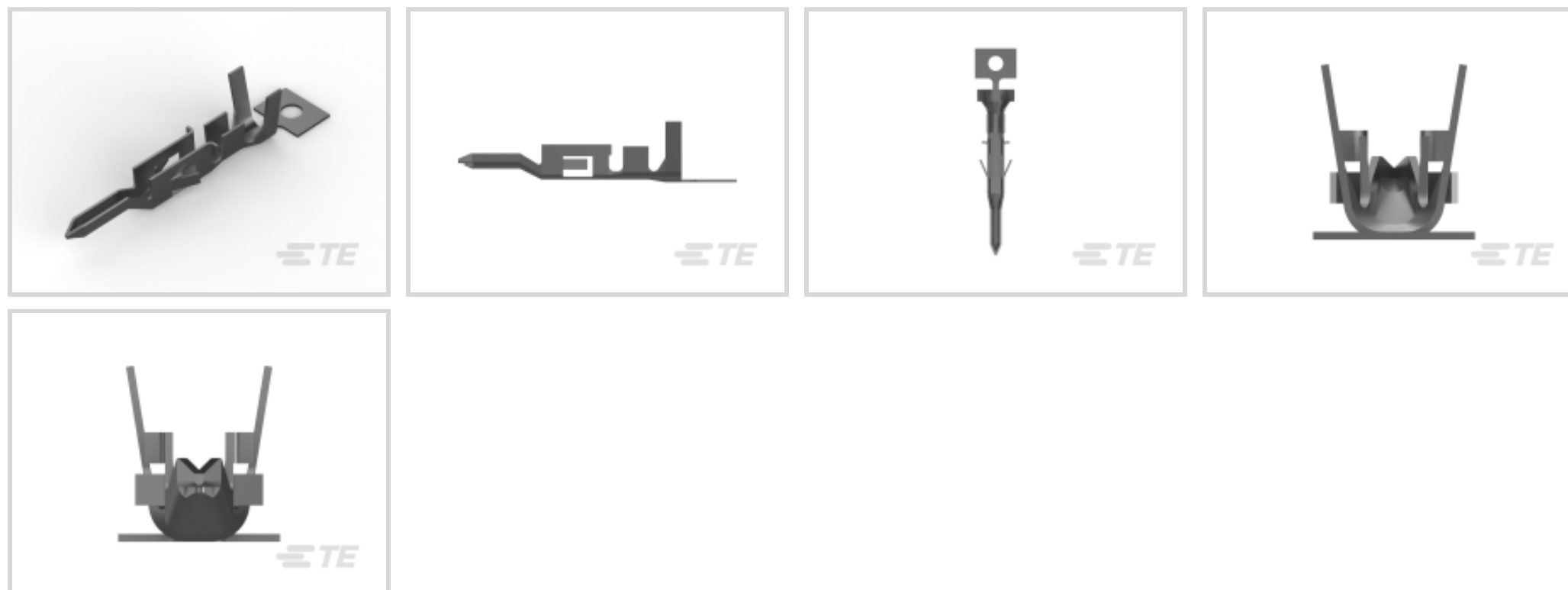
Pin Contact, Tin, 600 VAC, 22 – 18 AWG Wire Size, .3 – .82 mm<sup>2</sup>

Wire Size, Crimp, Phosphor Bronze, Power, -40 – 105 °C [-40 – 221 °

F]

[View on TE.com >](#)

Connectors &gt; Contacts &gt; Connector Contacts

Contact Type: **Pin**Contact Mating Area Plating Material: **Tin**Wire Contact Termination Area Plating Material: **Pre-Tin**Operating Voltage: **600 VAC**Contact Retention Within Housing: **With****Features****Electrical Characteristics**

|                   |         |
|-------------------|---------|
| Operating Voltage | 600 VAC |
|-------------------|---------|

**Contact Features**

|   |                  |
|---|------------------|
| Mating Square Post Dimension                          | 1.14 mm[.045 in] |
| Contact Fabrication                                   | Stamped & Formed |
| Wire Contact Termination Area Plating Thickness       | 2.54 µm[100 µin] |
| Wire Contact Termination Area Plating Material Finish | Bright           |
| Contact Mating Area Plating Material Thickness        | 2.54 µm[100 µin] |
| Contact Orientation                                   | Straight         |
| Contact Type  | Pin              |
| Contact Mating Area Plating Material                  | Tin              |
| Wire Contact Termination Area Plating Material        | Pre-Tin          |
| Contact Retention Within Housing                      | With             |
| Contact Base Material                                 | Phosphor Bronze  |
| Contact Current Rating (Max)                          | 9 A              |



### Termination Features

|                                    |              |
|------------------------------------|--------------|
| Termination Method to Wire & Cable | Crimp        |
| Product Terminates To              | Wire & Cable |

### Mechanical Attachment

|                         |         |
|-------------------------|---------|
| Wire Insulation Support | Without |
|-------------------------|---------|

### Dimensions

|                                      |                               |
|--------------------------------------|-------------------------------|
| Compatible Insulation Diameter Range | 1.5 – 3.1 mm [.059 – .122 in] |
| Wire Size                            | .3 – .82 mm <sup>2</sup>      |

### Usage Conditions

|                             |                             |
|-----------------------------|-----------------------------|
| Operating Temperature Range | -40 – 105 °C [-40 – 221 °F] |
|-----------------------------|-----------------------------|

### Operation/Application

|                     |       |
|---------------------|-------|
| Circuit Application | Power |
|---------------------|-------|

### Industry Standards

|   |     |
|---|-----|
| Compatible With Agency/Standards Products | VDE |
|---|-----|

### Packaging Features

|                    |      |
|--------------------|------|
| Packaging Quantity | 3500 |
| Packaging Method   | Reel |

### Product Compliance

[For compliance documentation, visit the product page on TE.com>](#)

|   |   |
|---|---|
| EU RoHS Directive 2011/65/EU                  | Compliant   |
| EU ELV Directive 2000/53/EC                   | Compliant   |
| China RoHS 2 Directive MIIT Order No 32, 2016 | No Restricted Materials Above Threshold   |
| EU REACH Regulation (EC) No. 1907/2006        | Current ECHA Candidate List: JUNE 2024 (241)<br>Candidate List Declared Against: JUNE 2024 (241)<br>Does not contain REACH SVHC |
| Halogen Content                               | Low Halogen - Br, Cl, F, I < 900 ppm per homogenous material. Also BFR/CFR/PVC Free   |
| Solder Process Capability                     | Not applicable for solder process capability  |

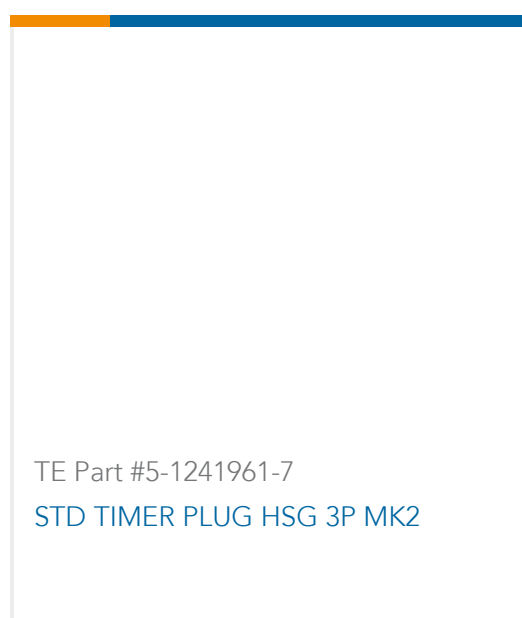
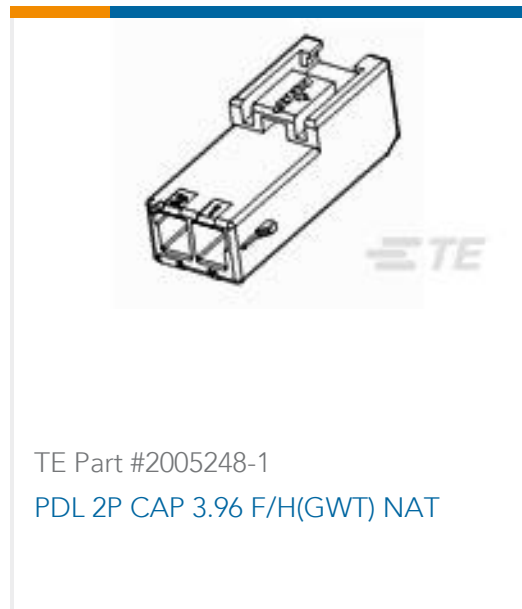
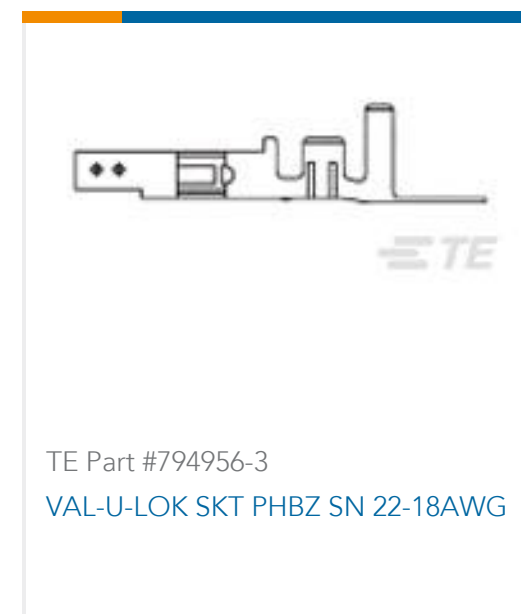
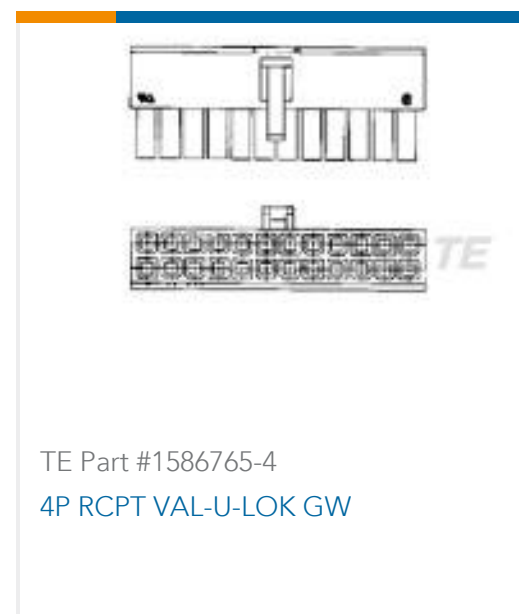
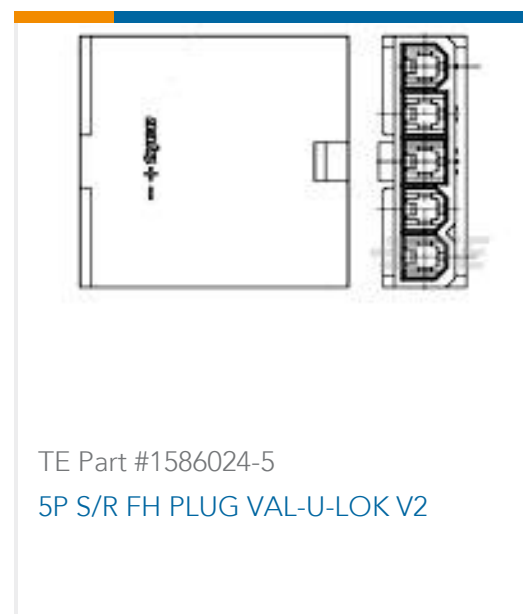
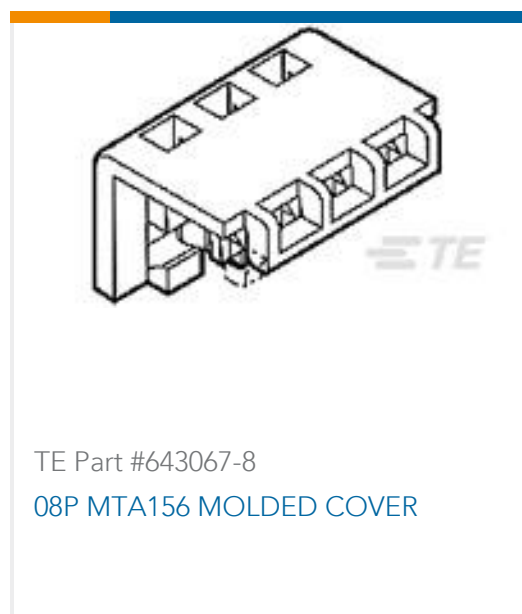
Product Compliance Disclaimer

This information is provided based on reasonable inquiry of our suppliers and represents our current actual knowledge based on the information they provided. This information is subject to change. The part numbers that TE has identified as EU RoHS compliant have a maximum concentration of 0.1% by weight in homogenous materials for lead, hexavalent chromium, mercury, PBB, PBDE, DBP, BBP, DEHP, DIBP, and 0.01% for cadmium, or qualify for an exemption to these limits as defined in the Annexes of Directive 2011/65/EU (RoHS2). Finished electrical and electronic equipment products will be CE marked as required by Directive 2011/65/EU. Components may not be CE marked. Additionally, the part numbers that TE has identified as EU ELV compliant have a maximum concentration of 0.1% by weight in homogenous materials for lead, hexavalent chromium, and mercury, and 0.01% for cadmium, or qualify for an exemption to these limits as defined in the Annexes of Directive 2000/53/EC (ELV). Regarding the REACH Regulation, the information TE provides on SVHC in articles for this part number is based on the latest European Chemicals Agency (ECHA) 'Guidance on requirements for substances in articles' posted at this URL: <https://echa.europa.eu/guidance-documents/guidance-on-reach>

## Compatible Parts



## Customers Also Bought



## Documents

### Product Drawings

[VAL-U-LOK PIN PHBZ SN 22-18AWG](#)

English

### CAD Files

Customer View Model

[ENG\\_CVM\\_CVM\\_794955-3\\_G.2d\\_dxf.zip](#)

English

### 3D PDF

3D

Customer View Model

[ENG\\_CVM\\_CVM\\_794955-3\\_G.3d\\_igs.zip](#)

English

Customer View Model

[ENG\\_CVM\\_CVM\\_794955-3\\_G.3d\\_stp.zip](#)

English

By downloading the CAD file I accept and agree to the [Terms and Conditions](#) of use.

## Datasheets & Catalog Pages



## SOFT\_SHELL\_PIN\_AND\_SOCKET\_CONNECTORS\_CATALOG

English

---

**Product Specifications**

**Application Specification**

English