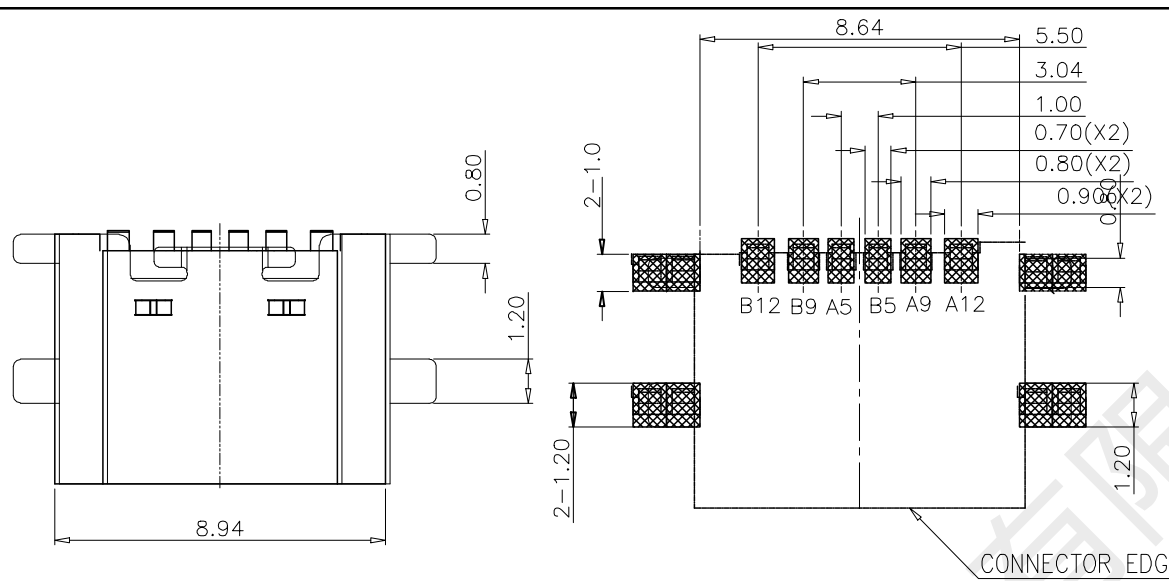
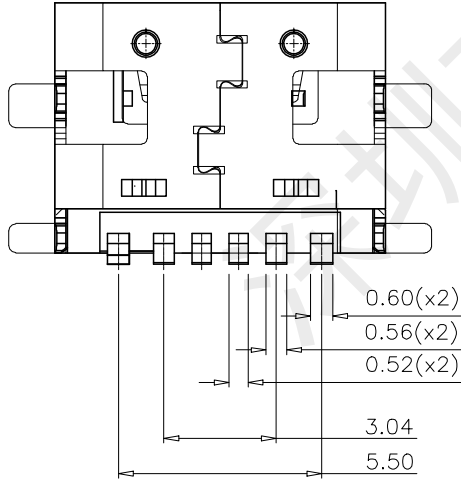
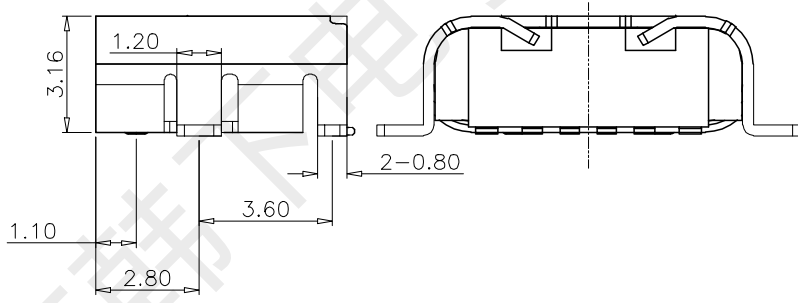
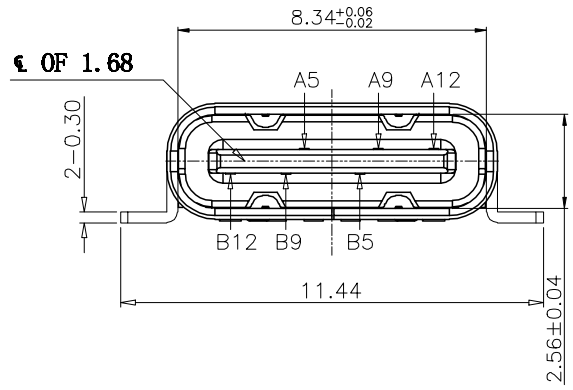


Rev No.	Description of Revision	Date	Name	Approved	ECN No.
▲X					



RECOMMENDED PCB LAYOUT(TOP VIEW)



PIN ASSIGNMENTS

A5	CC1	B12	GND
A9	VBUS	B9	VBUS
A12	GND	B5	CC2
PIN	SIGNAL NAME	PIN	SIGNAL NAME

规格说明 Specifications:

- 电气特性 Electrical:
  - 额定电压 (Rated voltage): 5V DC
  - 额定电流 (Rated current): 3A VBUS引脚; 1.25A用于GND引脚, 其他引脚为0.25A.
  - 接触电阻 (Contact resistance): 40mΩ Max
  - 测试条件: 20mv, 100mA下测量.
  - 绝缘电阻 (Insulation resistance): 100MΩ Min
  - 耐电压 (Withstand Voltage): 100V AC
- 机械性能 Mechanical:
  - 插入力 (Mate force): 0.5-2.0Kg
  - 拔出力 (Unmate force): 0.6-2.0Kg
  - 插拔次数 (Durability): 5000 Cycles.
- 材料 Material:
  - 胶芯 (Housing): LCP UL94 V-0
  - 端子 (Contact): C2680, T=0.2mm; 镍底, 镀金
  - 外壳 (Shell): 不锈钢201-H 表面镀镍
- 温度范围 (Temperature Range): -30°C to +80°C

UNLESS OTHERWISE SPECIFIED TOLERANCES					
DECIMALS:	ANGLES	TITLE. HX TYPE-C 6P QTWT			
X. ±0.20	X' ±2°	Drdwn. 黄彬	PART NO.		
X.X ±0.15	X.X' ±1°	Checked. 张伟	SCALE. 1:8	UNIT. mm	PROJ.
X.XX ±0.10	X.XX' ±0.5°	Approved. 罗小春	SIZE. A4	SHEET. 1 OF 1	REV. A
X.XXX ±0.05		CUSTOMER COPY			