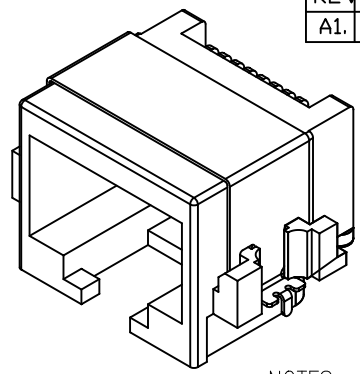
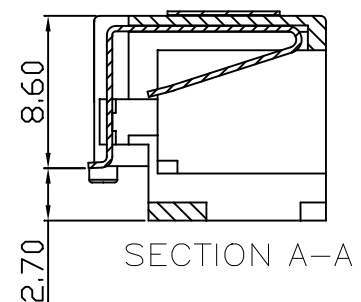
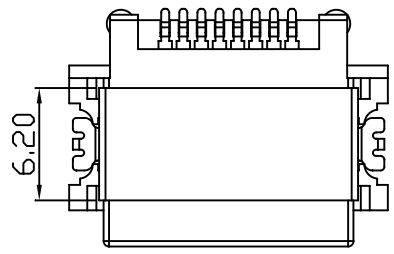


RoHS 2.0

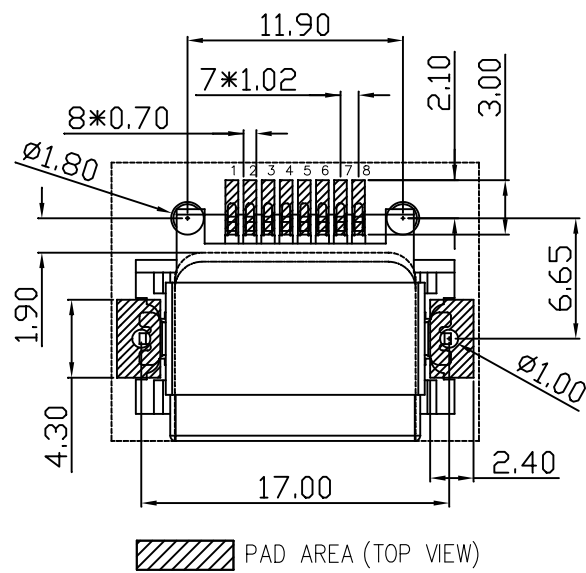
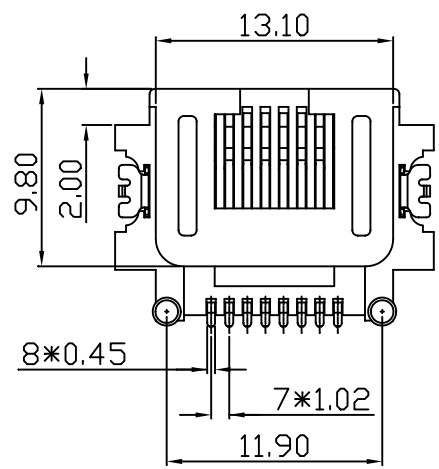
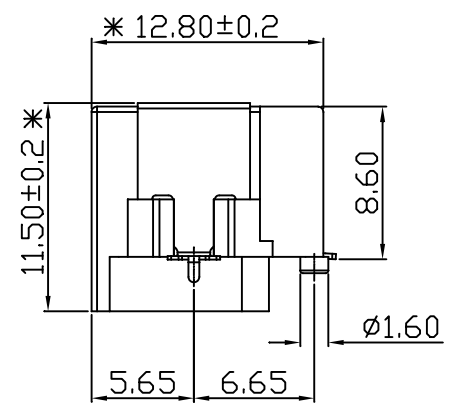
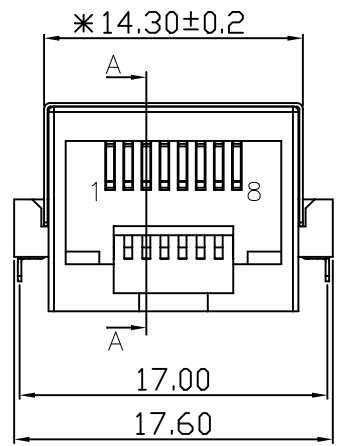
REV.	ECN NO.	DESCRIPTION	DATE	DESIGN
A1.	/.	重新校对图面	21.01.11	LIHui



3D VIEW

NOTES:

1. MATERIAL:
 - 1.1. HOUSING: LCP ,COLOR IS GRAY;
 - 1.2. CONTACT: PHOSPHOR COPPER (C5191 T=0.30mm);
 - 1.3. SHIELD: STAINLESS STEEL (304 T=0.2mm);
2. FINISH:
 - 2.1. CONTACT: PLATED OVER NI,GOLD PLATED G/Fu”;
 - 2.2. SHELL: PLATED OVER NI;
4. ELECTRICAL:
 - 4.1. VOLTAGE RATING: 125 VAC RMS;
 - 4.2. CURRENT RATING: 1.5 AMP;
 - 4.3. CONTACT RESISTANCE: 35MILLIOHMS MAX.;
 - 4.4. WITHSTAND VOLTAGE: 500 VAC RMS 50(60)Hz,1MIN.;
 - 4.5. INSULATION RESISTANCE: 500MEGOHMS MIN @500V DC.;
5. MECHANICAL:
 - 5.1. MATING/UNMATING FORCE: 22N MAX.;
 - 5.2. RETENTIION STRENGTH: 50N MIN.;
 - 5.3. OPERATING LIFE: 750 CYCLES MIN.;
6. ENVIRONMENTAL:
 - 6.1. STORAGE TEMPERATURE RANGE: -40°C~+85°C ;
 - 6.2. OPERATION TEMPERATURE RANGE: -25°C~+70°C;



▨ PAD AREA (TOP VIEW)

深圳市华灿天禄电子有限公司

UNLESS OTHERWISE, GENERAL TOLERANCE: X.xxx ±0.10 X.xx ±0.20 X.x ±0.30	NAME: RJ沉板(腰带式不锈钢编带)		P/N: HC-RJ45-055-7	
	THIRD ANGLE PROJECTION		DWG NO.:	
ANGULAR: X.xx' ±1° X.x' ±3° X.' ±5°	UNIT: mm	SCALE: 1:1	SIZE: A4	SHEET: 1/1
	DRAWN:		CHECKED:	APPROVED