

# EV-GBM3S-3AC32A-0,7M6,0E00 - Infrastructure charging socket



1408170

<https://www.phoenixcontact.com/us/products/1408170>

Please be informed that the data shown in this PDF document is generated from our online catalog. Please find the complete data in the user documentation. Our general terms of use for downloads are valid.



CHARX connect basic, Infrastructure charging socket, square, for charging electric vehicles with alternating current (AC), GB/T, GB/T 20234.2-2015, 32 A / 440 V (AC), Single wires, length: 0.7 m, Front and rear mounting, housing: black, NOTE This product version does not include a locking actuator.

## Product description

Infrastructure charging socket for charging electric vehicles (EV) with alternating current (AC), compatible with GB/T Infrastructure Plugs, for installation at charging stations for E-Mobility (EVSE)

## Your advantages

- Complete product range
- Uniform, space-saving installation space
- Available with your logo on request - for consistent branding of your charging station
- Integrated interlock during charging
- Manual emergency release of the locking actuator
- Developed and produced in accordance with the IATF 16949 automotive standard and ISO 9001

## Commercial data

Item number	1408170
Packing unit	1 pc
Minimum order quantity	1 pc
Sales key	EM01
Product key	XWBADF
Catalog page	Page 756 (C-2-2017)
GTIN	4046356856041
Weight per piece (including packing)	542 g
Weight per piece (excluding packing)	542 g
Customs tariff number	85444290
Country of origin	CN

# EV-GBM3S-3AC32A-0,7M6,0E00 - Infrastructure charging socket



1408170

<https://www.phoenixcontact.com/us/products/1408170>

## Technical data

### Notes

General	NOTE This product version does not include a locking actuator.
General	Make sure that the Infrastructure Plug is locked into the Infrastructure Socket Outlet during the charging process according to IEC 61851-1. We recommend using our locking actuators (1624129, 1622317). If another type of locking is selected, we recommend sealing the mounting surface (1621465), see also accessories.

### Product properties

Product type	Infrastructure charging socket
Product family	CHARX connect basic
Application	for charging electric vehicles with alternating current (AC) compatible with infrastructure charging plugs
Design (Infrastructure charging socket)	square
Charging standard	GB/T
Charging mode	Mode 3, Case B

### Electrical properties

Type of signal transmission	Pulse width modulation
Note on the connection method	Crimp connection, cannot be disconnected
Type of charging current	AC 3-phase
Charging power	26.6 kW
Charging current	32 A

#### Power contact

Number	5 (L1, L2, L3, N, PE)
Rated voltage	440 V AC
Rated current	32 A

#### Signal contact

Number	2 (CP, CC)
Rated voltage	30 V AC
Rated current	2 A

### Material specifications

Color (Housing)	black (9005)
Material (Housing)	Plastic
Material (Contact surface)	Silver
Flammability rating according to UL 94	V0 ()

### Cable/line

Cable length	0.7 m
--------------	-------

# EV-GBM3S-3AC32A-0,7M6,0E00 - Infrastructure charging socket



1408170

<https://www.phoenixcontact.com/us/products/1408170>

Cable type	Single wires
Cable structure	5x 6.0 mm <sup>2</sup> + 2x 0.5 mm <sup>2</sup>
Single wire, cross section	6.00 mm <sup>2</sup>

## Single-core wires for AC

Cable length	0.7 m
--------------	-------

## Mechanical properties

### Mechanical data

Insertion/withdrawal cycles	> 10000
Insertion force	< 100 N
Withdrawal force	< 100 N

## Environmental and real-life conditions

### Ambient conditions

Degree of protection (Infrastructure charging socket)	IP55 (plugged in)
Ambient temperature (operation)	-30 °C ... 50 °C
Ambient temperature (storage/transport)	-40 °C ... 80 °C
Altitude	5000 m (above sea level)

## Standards and regulations

### Standards

Standards/regulations	GB/T 20234.2-2015
-----------------------	-------------------

## Mounting

Mounting type Infrastructure charging socket	Front and rear mounting (0 to 90 degree frontal inclination possible)
Mounting type Protective cover	rear (available separately)
Mounting hole diameter	7.00 mm (ø)

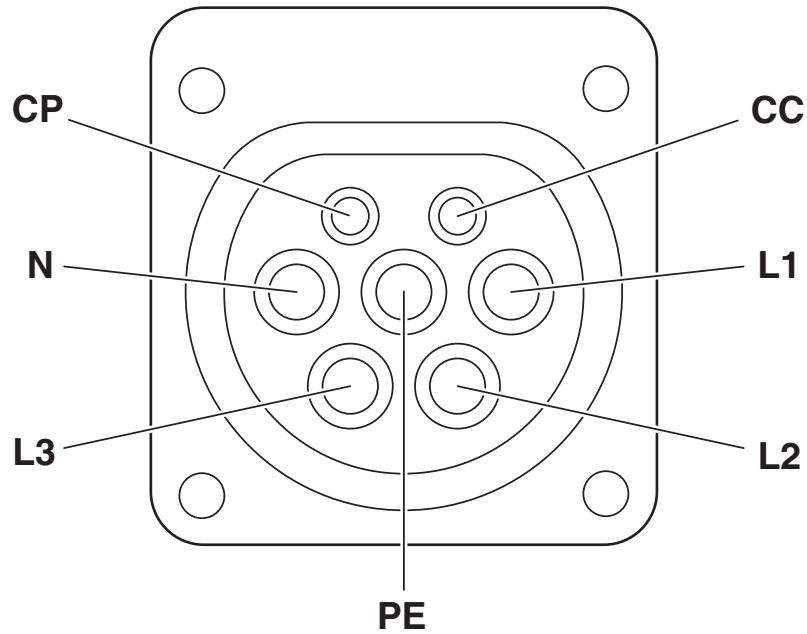
# EV-GBM3S-3AC32A-0,7M6,0E00 - Infrastructure charging socket

1408170

<https://www.phoenixcontact.com/us/products/1408170>

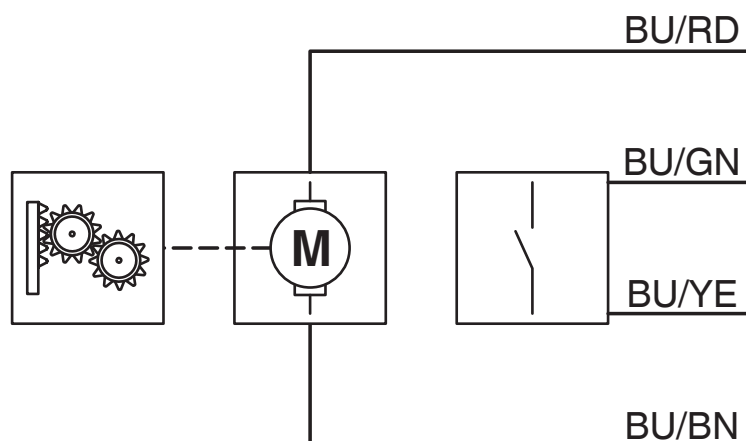
## Drawings

Connection diagram



Pin assignment of infrastructure charging socket

Block diagram



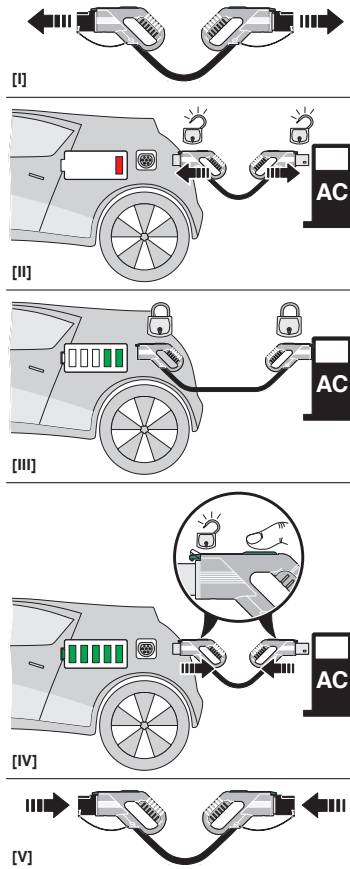
Block diagram of the locking actuator

# EV-GBM3S-3AC32A-0,7M6,0E00 - Infrastructure charging socket

1408170

<https://www.phoenixcontact.com/us/products/1408170>

## Schematic diagram



Operating instructions

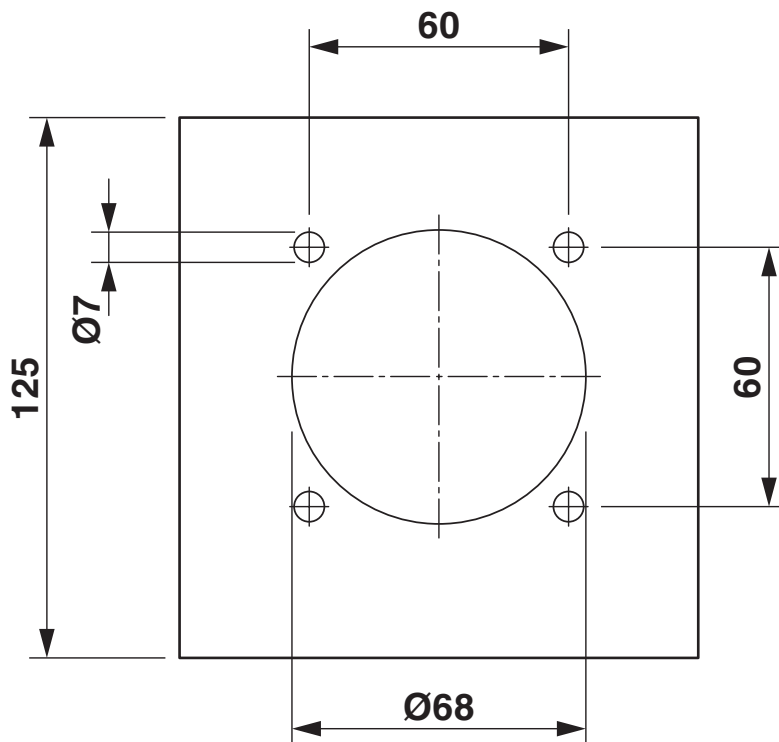
# EV-GBM3S-3AC32A-0,7M6,0E00 - Infrastructure charging socket



1408170

<https://www.phoenixcontact.com/us/products/1408170>

Dimensional drawing



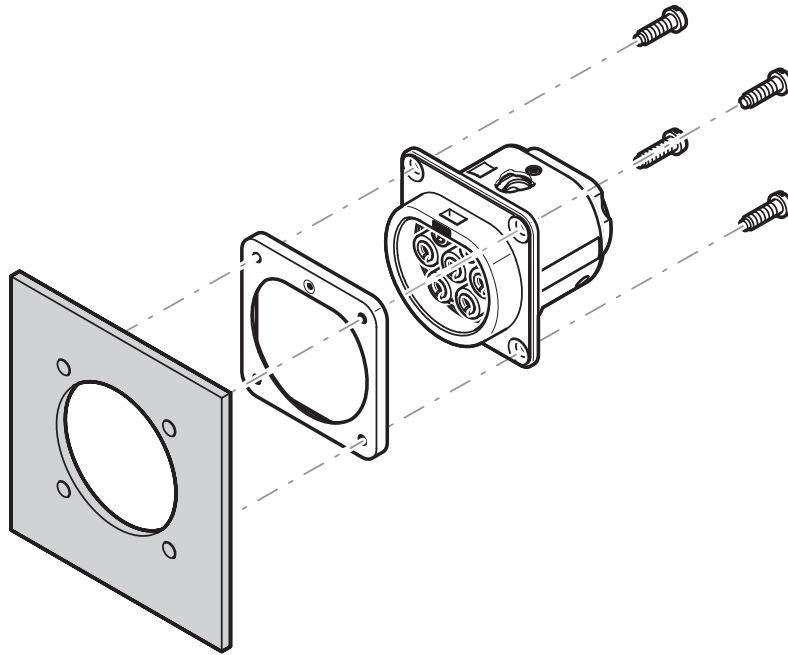
Hole image

# EV-GBM3S-3AC32A-0,7M6,0E00 - Infrastructure charging socket

1408170

<https://www.phoenixcontact.com/us/products/1408170>

Schematic diagram



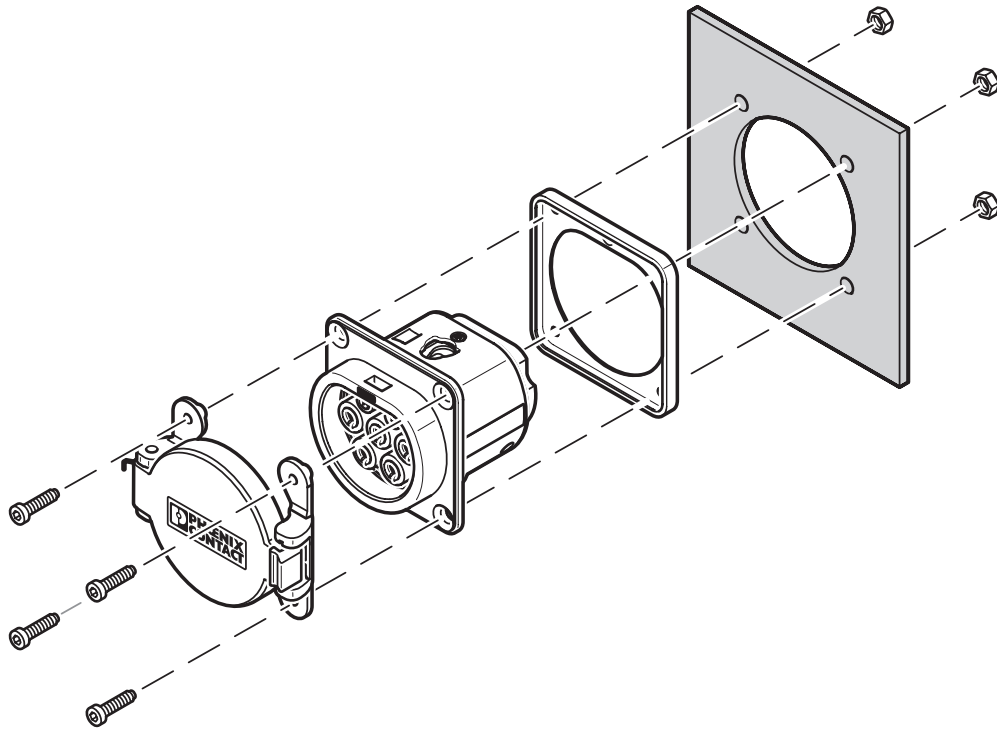
Rear mounting

# EV-GBM3S-3AC32A-0,7M6,0E00 - Infrastructure charging socket

1408170

<https://www.phoenixcontact.com/us/products/1408170>

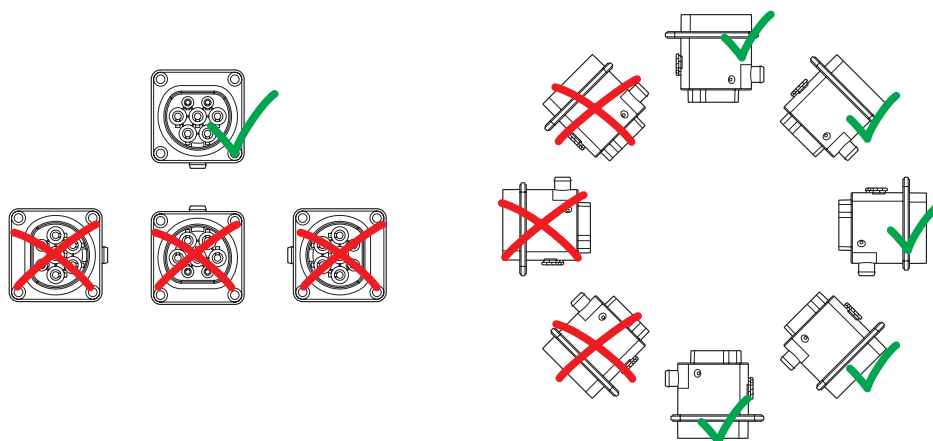
Schematic diagram



Front mounting with rear protective cover screw connection

The screw connection for a protective cover from the accessories range (EV-GBSC...) only supports rear mounting.

Schematic diagram



Installation positions

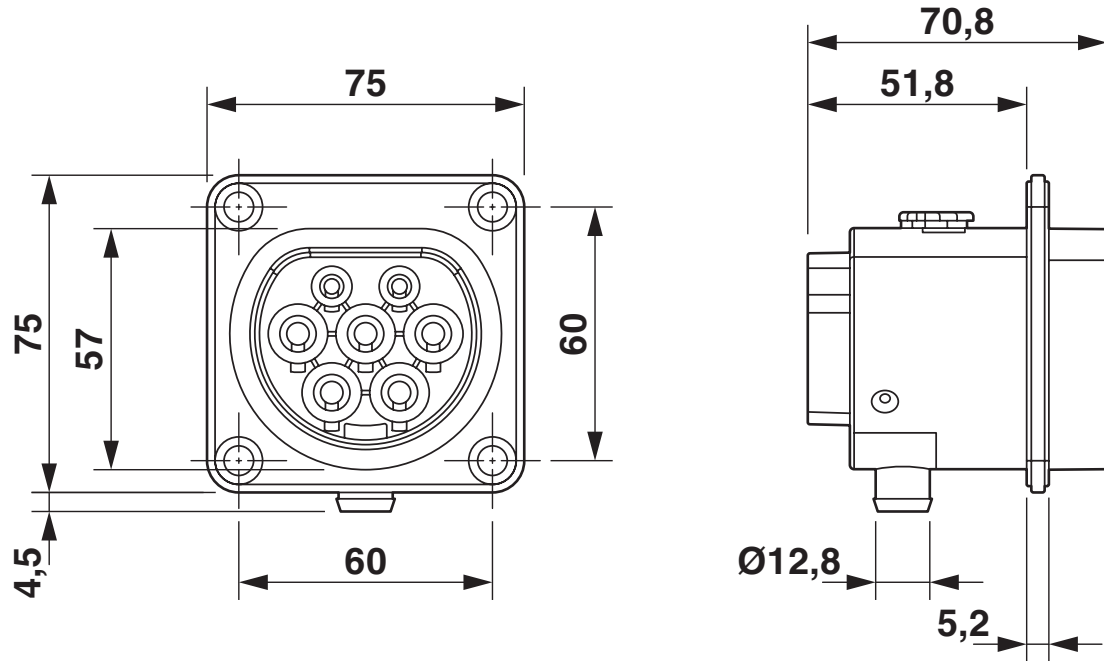


# EV-GBM3S-3AC32A-0,7M6,0E00 - Infrastructure charging socket

1408170

<https://www.phoenixcontact.com/us/products/1408170>

Dimensional drawing



Dimensional drawing

# EV-GBM3S-3AC32A-0,7M6,0E00 - Infrastructure charging socket



1408170

<https://www.phoenixcontact.com/us/products/1408170>

## Classifications

### ECLASS

ECLASS-11.0	27144706
ECLASS-12.0	27144706
ECLASS-13.0	27144706

### ETIM

ETIM 8.0	EC002898
----------	----------

### UNSPSC

UNSPSC 21.0	39121800
-------------	----------

# EV-GBM3S-3AC32A-0,7M6,0E00 - Infrastructure charging socket



1408170

<https://www.phoenixcontact.com/us/products/1408170>

## Environmental product compliance

### EU RoHS

Fulfills EU RoHS substance requirements	Yes
Exemption	6(c)

### China RoHS

Environment friendly use period (EFUP)	EFUP-10
	An article-related China RoHS declaration table can be found in the download area for the respective article under "Manufacturer declaration". For all articles with EFUP-E, no China RoHS declaration table issued and required.

### EU REACH SVHC

REACH candidate substance (CAS No.)	Lead(CAS: 7439-92-1)
-------------------------------------	----------------------

# EV-GBM3S-3AC32A-0,7M6,0E00 - Infrastructure charging socket



1408170

<https://www.phoenixcontact.com/us/products/1408170>

## Accessories

### EV-GBSCO - Protective cover

1623415

<https://www.phoenixcontact.com/us/products/1623415>



CHARX connect basic, Protective cover, circular, Accessories, with self-opening mechanism, for attaching to infrastructure charging sockets, GB/T, Type 2, GB/T 20234.2, IEC 62196-2, Front mounting, housing: black, Adhered "PHOENIX CONTACT" sticker

---

### EV-GBSC - Protective cover

1623416

<https://www.phoenixcontact.com/us/products/1623416>



CHARX connect basic, Protective cover, circular, Accessories, with self-locking mechanism, for attaching to infrastructure charging sockets, GB/T, Type 2, GB/T 20234.2, IEC 62196-2, Front mounting, housing: black, Adhered "PHOENIX CONTACT" sticker

# EV-GBM3S-3AC32A-0,7M6,0E00 - Infrastructure charging socket



1408170

<https://www.phoenixcontact.com/us/products/1408170>

## EV-GBSC-D6,5MM - Protective cover

1623888

<https://www.phoenixcontact.com/us/products/1623888>



CHARX connect basic, Protective cover, circular, Accessories, with self-locking mechanism, for attaching to infrastructure charging sockets, GB/T, Type 2, GB/T 20234.2, IEC 62196-2, Front mounting, housing: black, Adhered "PHOENIX CONTACT" sticker

---

## EV-T2M3S-E-LOCK12V - Locking

1624129

<https://www.phoenixcontact.com/us/products/1624129>



CHARX connect modular, Locking, Accessories, for attaching to infrastructure charging sockets, Type 2, GB/T, IEC 61851-1, Single wires, length: 0.5 m, locking actuator: 12 V, 4-pos.

# EV-GBM3S-3AC32A-0,7M6,0E00 - Infrastructure charging socket



1408170

<https://www.phoenixcontact.com/us/products/1408170>

## EV-T2M3S-E-LOCK24V - Locking

1622317

<https://www.phoenixcontact.com/us/products/1622317>



CHARX connect modular, Locking, Accessories, with single-core wires, without holder, for locking infrastructure charging sockets when plug is inserted, Type 2, GB/T, IEC 61851-1, Single wires, length: 0.5 m, locking actuator: 24 V, 4-pos.

---

## EV-T2M3S-DRAINAGE-GASKET - Seal

1621668

<https://www.phoenixcontact.com/us/products/1621668>



CHARX connect basic, Seal, For the discharge nozzle below the infrastructure charging socket if there is no drainage tube present, Type 2, IEC 62196-2

# EV-GBM3S-3AC32A-0,7M6,0E00 - Infrastructure charging socket

1408170

<https://www.phoenixcontact.com/us/products/1408170>

## EV-T2M3S-E-LOCK-GASKET - Seal

1621465

<https://www.phoenixcontact.com/us/products/1621465>

CHARX connect basic, Seal, For the mounting surface of the locking actuator above the infrastructure charging socket when there is no locking actuator present, Type 2, IEC 62196-2



---

## EV-CC-AC1-M3-CBC-SER-HS - AC charging controller

1622452

<https://www.phoenixcontact.com/us/products/1622452>



The EV-CC-AC1-M3-CBC-SER-HS charging controller with housing for DIN rail mounting is used for charging electric vehicles at 3-phase AC networks according to IEC 61851-1, Mode 3. All charging functions, comprehensive configuration settings as well as a locking controller are already integrated.

# EV-GBM3S-3AC32A-0,7M6,0E00 - Infrastructure charging socket

1408170

<https://www.phoenixcontact.com/us/products/1408170>

## EV-CC-AC1-M3-CBC-SER-PCB - AC charging controller

1622453

<https://www.phoenixcontact.com/us/products/1622453>



The EV-CC-AC1-M3-CBC-SER-PCB charging controller as PCB is used for charging electric vehicles at 3-phase AC networks according to IEC 61851-1, Mode 3. All charging functions, comprehensive configuration settings as well as a locking controller are already integrated.

---

## EV-CC-AC1-M3-CBC-SER-PCB-XC-25 - AC charging controller

1627743

<https://www.phoenixcontact.com/us/products/1627743>



The EV-CC-AC1-M3-CBC-SER-PCB charging controller as PCB is used for charging electric vehicles at 3-phase AC networks according to IEC 61851-1, Mode 3. All charging functions, comprehensive configuration settings as well as a locking controller are already integrated.



# EV-GBM3S-3AC32A-0,7M6,0E00 - Infrastructure charging socket



1408170

<https://www.phoenixcontact.com/us/products/1408170>

## EV-CC-AC1-M3-CBC-SER-PCB-MSTB - AC charging controller

1627353

<https://www.phoenixcontact.com/us/products/1627353>



The EV-CC-AC1-M3-CBC-SER-PCB-MSTB charging controller as a PCB for charging electric vehicles according to IEC 61851-1, Mode 3, Case B (Socket Outlet) or C (Vehicle Connector). Connection via PCB connector on header.

---

Phoenix Contact 2024 © - all rights reserved  
<https://www.phoenixcontact.com>

Phoenix Contact USA  
586 Fulling Mill Road  
Middletown, PA 17057, United States  
(+717) 944-1300  
[info@phoenixcon.com](mailto:info@phoenixcon.com)