



stainless steel actuator IP69 (K), standard, geometry-optimized, suitable for extreme environmental conditions such as minus 40 degree with increased corrosion protection, for safety position switch 3SE53 and AS-i 3SF13 and safety position switch with separate actuator without tumbler 3SE51/52 and AS-i 3SF11/3SF12

product brand name	SIRIUS
product designation	actuator
product type designation	3SE5
General technical data	
shock resistance	
• acc. to IEC 60068-2-27	30g / 11 ms
vibration resistance	
• acc. to IEC 60068-2-6	0.35 mm/5g
mechanical service life (switching cycles) typical	1 000 000
reference code acc. to IEC 81346-2	T
active principle	mechanical
Drive Head	
design of the actuating element	Standard actuator, stainless steel
Installation/ mounting/ dimensions	
mounting position	any
fastening method	screw fixing
Certificates/ approvals	
General Product Approval	Declaration of Conformity



[Miscellaneous](#)

other

[Confirmation](#)

Further information

Information- and Downloadcenter (Catalogs, Brochures,...)

<https://www.siemens.com/ic10>

Industry Mall (Online ordering system)

<https://mall.industry.siemens.com/mall/en/en/Catalog/product?mfb=3SE5000-0AW51>

Cax online generator

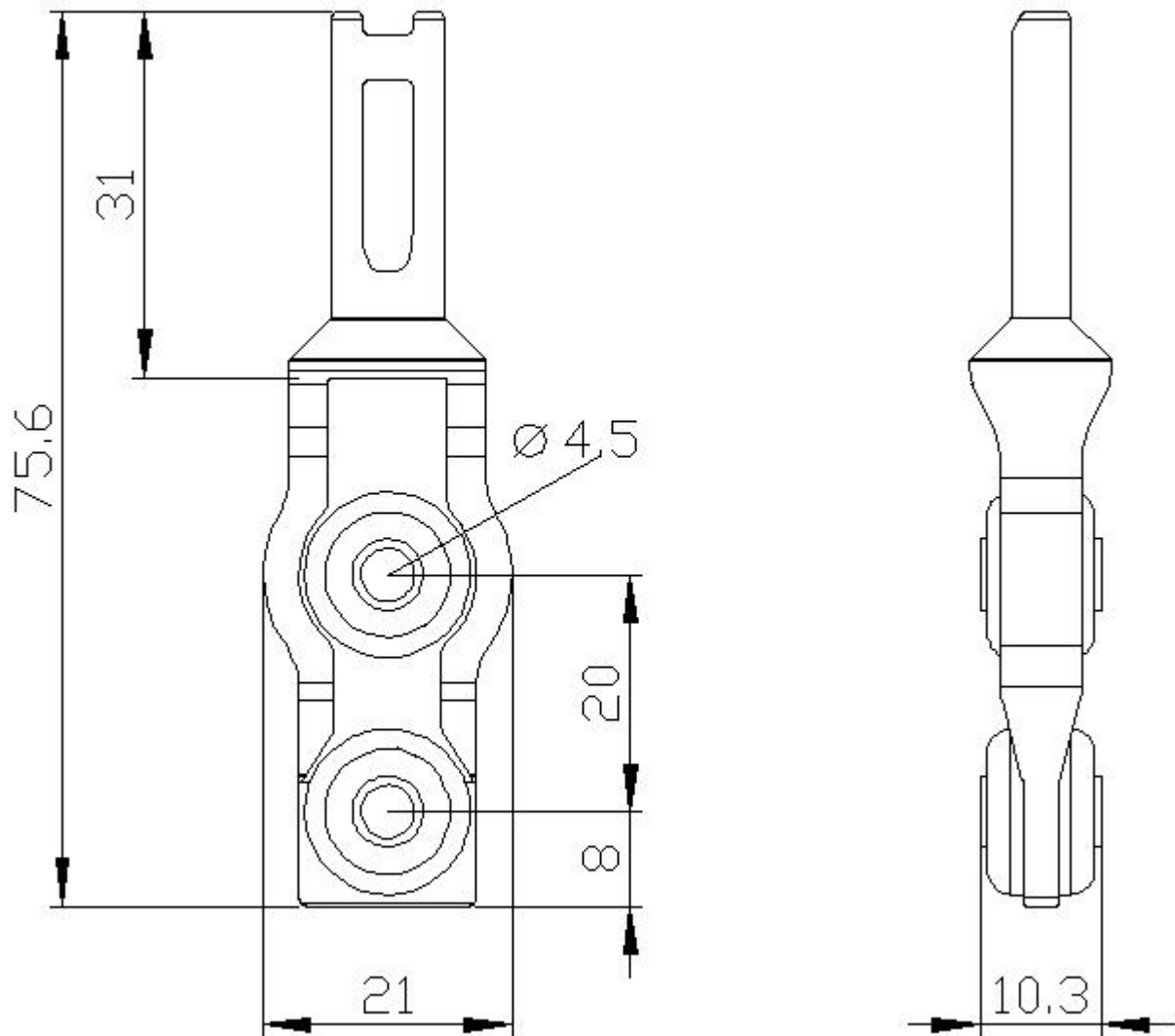
<http://support.automation.siemens.com/WW/CAXorder/default.aspx?lang=en&mlfb=3SE5000-0AW51>

Service&Support (Manuals, Certificates, Characteristics, FAQs,...)

<https://support.industry.siemens.com/cs/ww/en/ps/3SE5000-0AW51>

Image database (product images, 2D dimension drawings, 3D models, device circuit diagrams, EPLAN macros, ...)

http://www.automation.siemens.com/bilddb/cax_de.aspx?mlfb=3SE5000-0AW51&lang=en



last modified:

12/23/2020 