

Switches, Single Pole
15A, 120-277V AC

Style Line® Decorator Series Specification Grade Switch

HUBBELL

Features

- Thread cleaning captive mounting screw
- Steel, zinc plated bridge is corrosion resistant
- Automatic self-grounding staple

Ordering Information

| Description | Rocker Color | UPC | Catalog Number |
|-----------------------------|--------------|--------------|----------------|
| Rocker, back and side wired | Light Almond | 783585151267 | DS115LA |

Listings

UL Listed
CSA Certified

Specifications

| | |
|-----------------|---|
| Rocker Material | Thermoplastic |
| Contacts | Silver Alloy |
| Terminal Screws | Brass |
| Mounting Bridge | Nickel Plated Steel with Auto Ground Staple |
| Contacts | Silver Alloy |
| Ground Screw | Brass (Green) |

Performance

Electrical

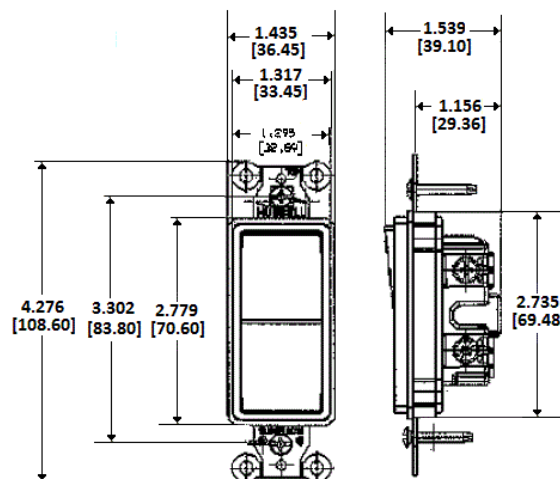
| | |
|-------------------------|--|
| Dielectric Voltage | Withstands 1500V AC minimum for 1 minute |
| Max. Continuous Current | 15A |
| Max. Working Voltage | 277V AC |
| Overload | Minimum 4.8 times rated current for 100 cycles |
| Temperature Rise | 30°C maximum at rated current |

Mechanical

Terminal Accommodations #14 AWG min. - #10 AWG max. solid and stranded copper wire only

Environmental

| | |
|-----------------------|--|
| Flammability | UL 94V-2 |
| Operating Temperature | Max. continuous: 75°C; Min. continuous: -40°C without impact |



Online Resources

Customer Use Drawing
eCatalog
Installation Instructions

Dimensions in Inches (mm)

Hubbell Wiring Device-Kellems • Hubbell Incorporated (Delaware) • 40 Waterview Drive • Shelton, CT 06484

Phone (800) 288-6000 • Fax (800) 255-1031 • Specifications subject to change without notice.

