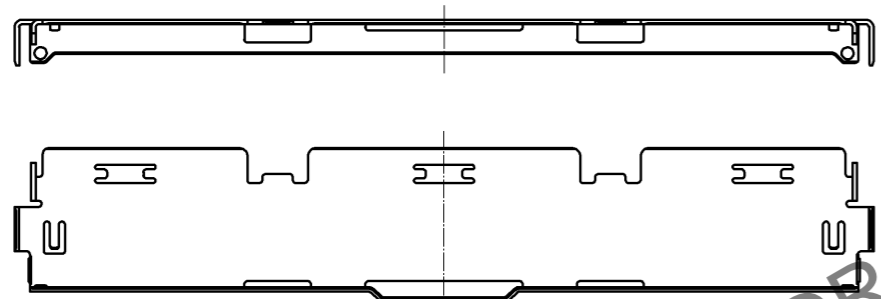
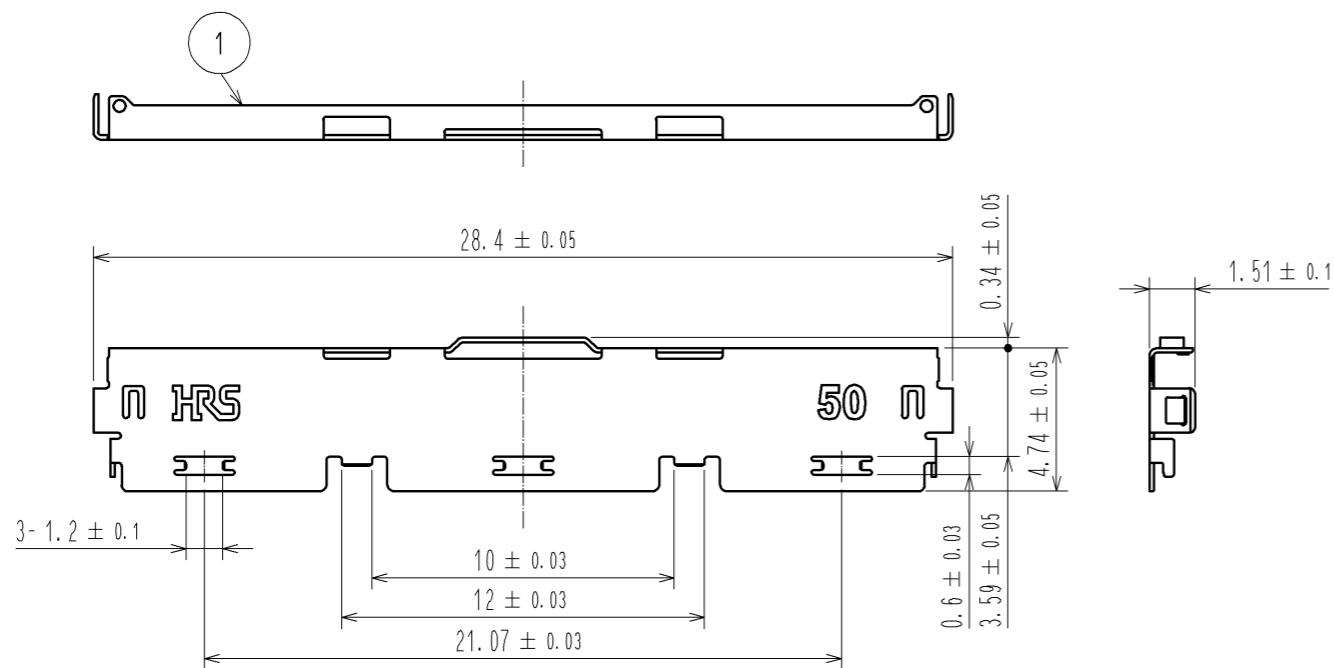
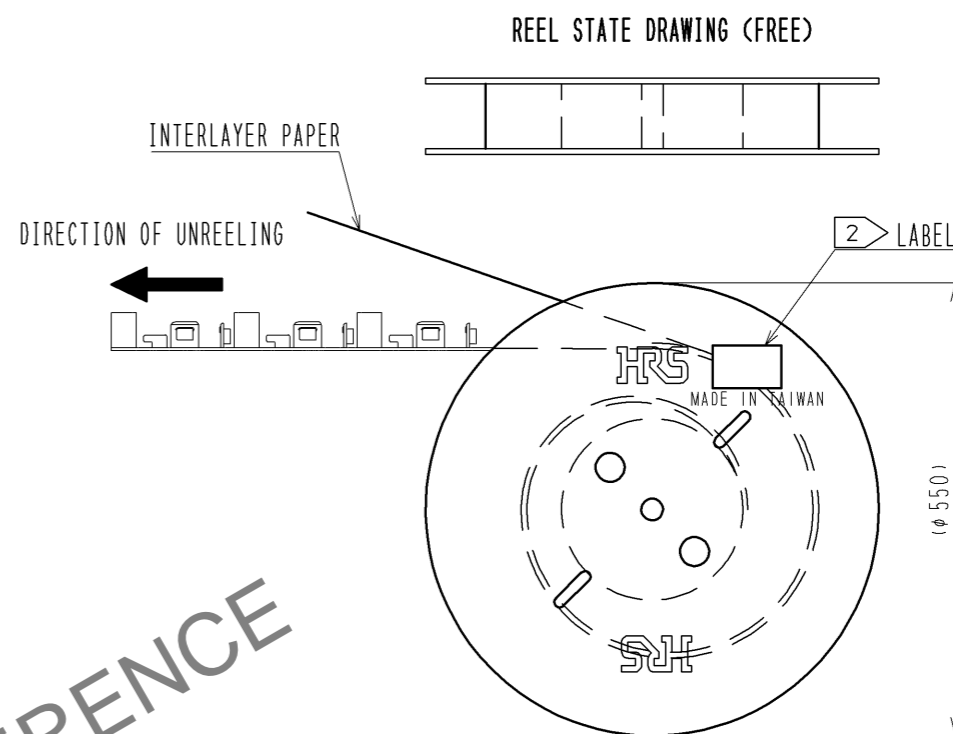
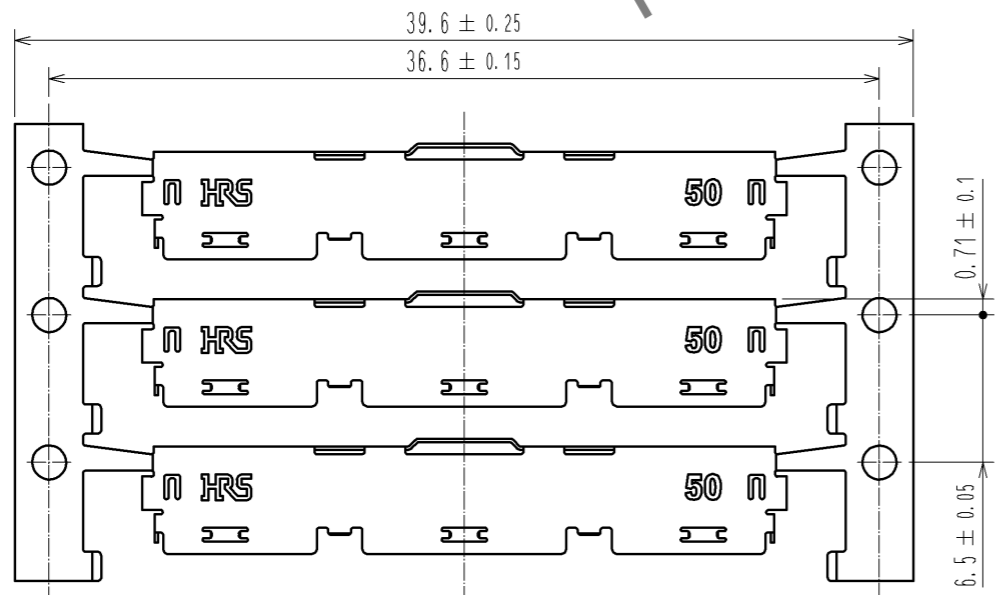


Jun.1.2024 Copyright 2024 HIROSE ELECTRIC CO., LTD. All Rights Reserved.
 In case of consideration for using Automotive equipment / device which demand high reliability, kindly contact our sales window correspondents.



CAREER STATE DRAWING(FREE)



REEL STATE DRAWING (FREE)

NOTES

- 1. PER REEL:1000 COMPONENTS
- 2. DETAILS OF THE LABEL ARE SHOWN BELOW.
- 3. THE ASSEMBLY IS COMPLETED BY COMBINING TWO PARTS 'CONNECTOR UNIT, AND METAL SHIELDING'. REFER TO THE TABLE FOR EACH ITEM No. PART NAME, PART No AND CODE No.

2 LABEL DETAILS

| HRS | | INSPECTION 検査 |
|-------------------|------------------|------------------|
| CODE No. 品名コード | CL662-8009-4-52 | |
| PART No. 品名 | DF80-50P-SHL(52) | |
| QTY 数量 | 1,000 PCS | |
| PECULIAR 仕様 | | |
| Lot No | | |
| SPLICE 継ぎ目 | | |

3

| ITEM No. | PART NAME | PART No. | CODE No. |
|----------|-----------------|--------------------|-----------------|
| - | CONNECTOR UNIT | DF80-50P-0.5SD(52) | CL662-8008-1-52 |
| 1 | METAL SHIELDING | DF80-50P-SHL(52) | CL662-8009-4-52 |

| NO. | MATERIAL | FINISH . REMARKS | NO. | MATERIAL | FINISH . REMARKS |
|-----|----------|------------------|-----|-----------|---|
| | | | 1 | STAINLESS | WHOLE AREA : Sn PLATING 1μmMIN UNDER PLATING : Ni PLATING 0.2μmMIN |

| UNITS mm | SCALE FREE | COUNT | DESCRIPTION OF REVISIONS | DESIGNED | CHECKED | DATE |
|-------------|---------------|-------|----------------------------------|----------|---------|------|
| | | | APPROVED : TS. SAKATA 13.02.21 | | | |
| | | | CHECED : TS. SAKATA 13.02.21 | | | |
| | | | DESIGNED : IO. DENPOUYA 13.02.21 | | | |
| | | | DRAWN : IO. DENPOUYA 13.02.21 | | | |

| DRAWING NO. | PART NO. | CODE NO. |
|----------------|------------------|-----------------|
| EDC3-338301-02 | DF80-50P-SHL(52) | CL662-8009-4-52 |