

CUC-V06-F1PBK-S/UBA/UBB - Panel mounting frames

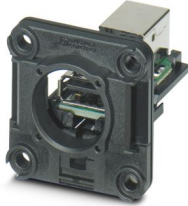


1409117

<https://www.phoenixcontact.com/us/products/1409117>

Please be informed that the data shown in this PDF document is generated from our online catalog. Please find the complete data in the user documentation. Our general terms of use for downloads are valid.

Panel mounting frames, degree of protection: IP65/IP67



Commercial data

Item number	1409117
Packing unit	5 pc
Minimum order quantity	5 pc
Note	Made to order (non-returnable)
Product key	ABNNFC
GTIN	4046356862219
Weight per piece (including packing)	18.16 g
Weight per piece (excluding packing)	18.16 g
Country of origin	DE

CUC-V06-F1PBK-S/UBA/UBB - Panel mounting frames

1409117

<https://www.phoenixcontact.com/us/products/1409117>

Technical data

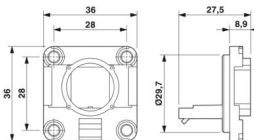
Product properties

Product type	Panel mounting frame
--------------	----------------------

Electrical properties

Transmission medium	Copper
---------------------	--------

Dimensions

Dimensional drawing	
Width	36 mm
Height	36 mm
Length	46.6 mm

Material specifications

Flammability rating according to UL 94	V0
Seal material, flat gasket	NBR

Environmental and real-life conditions

Ambient conditions

Degree of protection	IP65/IP67
----------------------	-----------

CUC-V06-F1PBK-S/UBA/UBB - Panel mounting frames

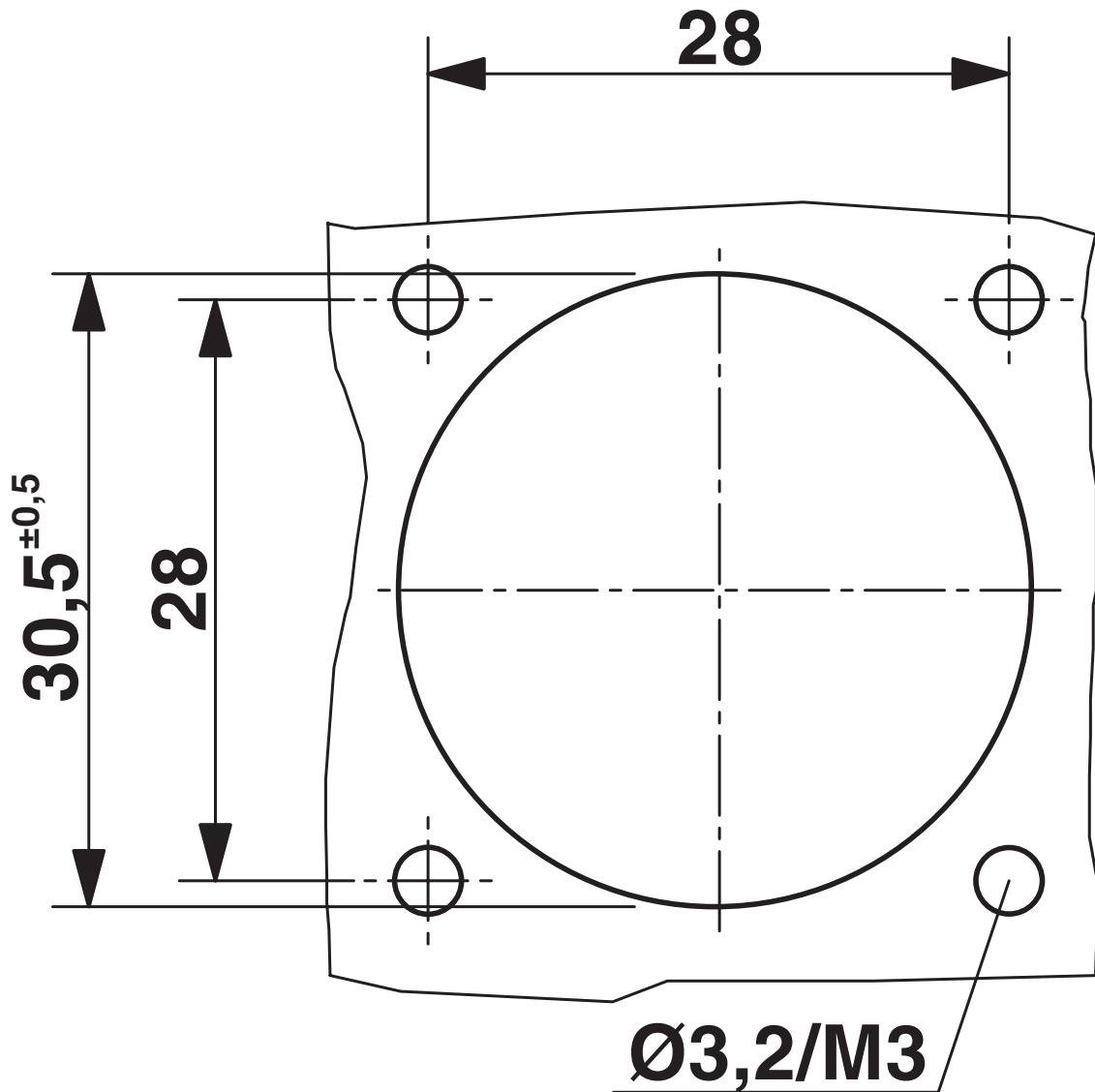


1409117

<https://www.phoenixcontact.com/us/products/1409117>

Drawings

Dimensional drawing



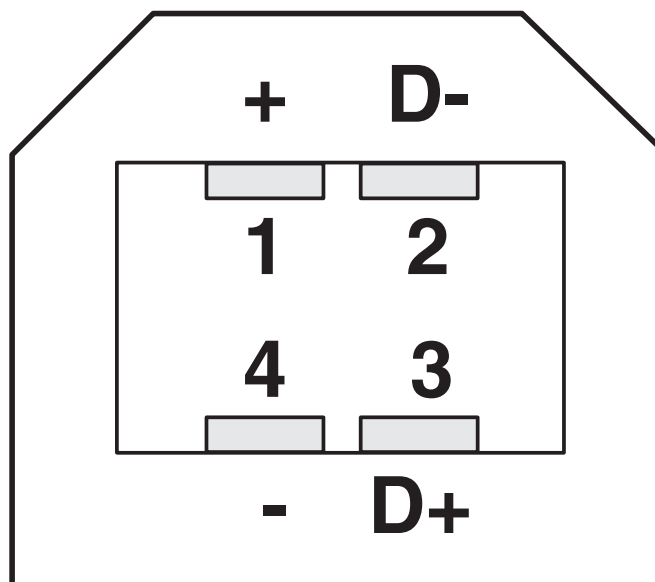
Mounting cutout

CUC-V06-F1PBK-S/UBA/UBB - Panel mounting frames

1409117

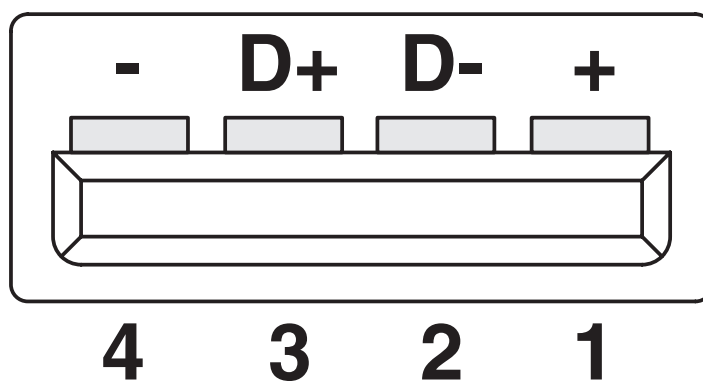
<https://www.phoenixcontact.com/us/products/1409117>

Schematic diagram



Pin assignment socket USB, type B

Schematic diagram



Pin assignment socket USB, type A

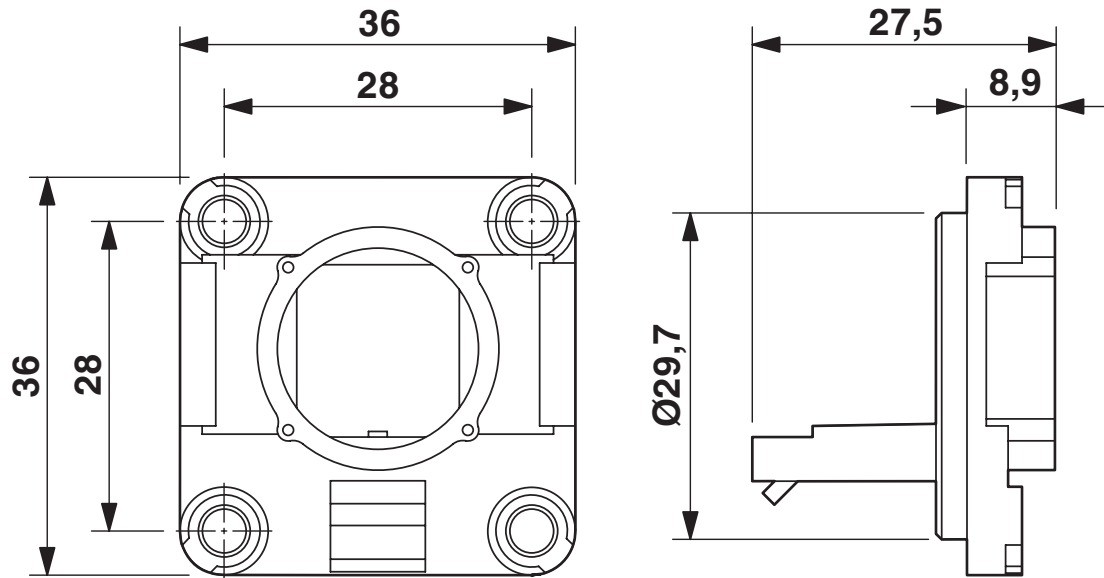
CUC-V06-F1PBK-S/UBA/UBB - Panel mounting frames



1409117

<https://www.phoenixcontact.com/us/products/1409117>

Dimensional drawing



Panel mounting frame for Freenet system

CUC-V06-F1PBK-S/UBA/UBB - Panel mounting frames



1409117

<https://www.phoenixcontact.com/us/products/1409117>

Classifications

ECLASS

ECLASS-11.0	27440210
ECLASS-12.0	27440210
ECLASS-13.0	27440210

ETIM

ETIM 9.0	EC002310
----------	----------

UNSPSC

UNSPSC 21.0	39121400
-------------	----------

CUC-V06-F1PBK-S/UBA/UBB - Panel mounting frames



1409117

<https://www.phoenixcontact.com/us/products/1409117>

Environmental product compliance

EU RoHS

Fulfills EU RoHS substance requirements	Yes, No exemptions
---	--------------------

China RoHS

Environment friendly use period (EFUP)	EFUP-E
	No hazardous substances above the limits

EU REACH SVHC

REACH candidate substance (CAS No.)	No substance above 0.1 wt%
-------------------------------------	----------------------------

Phoenix Contact 2024 © - all rights reserved
<https://www.phoenixcontact.com>

Phoenix Contact USA
586 Fulling Mill Road
Middletown, PA 17057, United States
(+717) 944-1300
info@phoenixcon.com