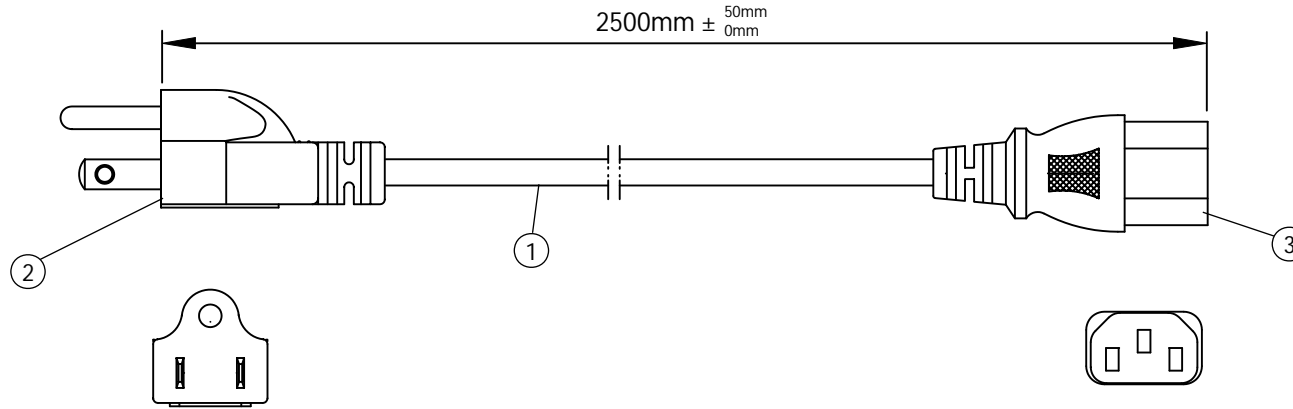


THESE DRAWINGS ARE THE PROPERTY OF QUALTEK ELECTRONICS AND NOT TO BE REPRODUCED FOR OR COMMUNICATED TO A THIRD PARTY WITHOUT THE EXPRESS WRITTEN PERMISSION OF AN OFFICER OF QUALTEK ELECTRONICS.

REVISION			
REV.	DESCRIPTION	DATE	APPROVED
B	Updated Current Rating	03-01-18	LY



NOTES:

1. CORDAGE: VCTF, 3x1.25mm<sup>2</sup>, UNSHIELDED, NA COLOR CODE, TEMP. RATING: 60°C, RATING: 125V 11A, JACKET COLOR: BLACK
2. PLUG: CNS 690
3. CONNECTOR: IEC 60320 C13
4. APPROVALS: BSMI
5. ROHS COMPLIANT

**CONTROLLED**

Dim range (mm)		Tolerance +/- (mm)		Qualtek Electronics Corp. PPC DIVISION		
0-1	0.15	Part Number: 393001-01		<span style="border: 1px solid green; padding: 2px;">RoHS Compliant</span>		
1-6	0.20	Description: POWER CORD				
6-18	0.30	UNIT: mm		REV. B		
18-50	0.50	Drawn / Date	Checked / Date	Approved / Date		
50-120	0.70	R.Nuti 10-23-07	10-23-07	JJH / 10-23-07		
120-250	0.90					
250-500	1.20					