



# SERIES 805 TRIPLE-START ACME THREAD Mighty Mouse Connectors and Cables



## Sav-Con® Connector Saver, Environmental



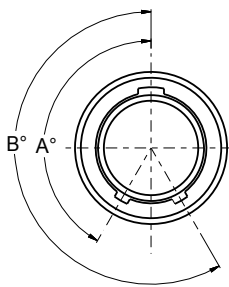
**Glenair Sav-Con® Connector Savers** are designed to protect connectors that are subject to repeated mating and unmating cycles. Sav-Con® Connector Savers prevent costly repair or replacement of expensive connectors while preserving the quality and integrity of the connector by absorbing connect and disconnect abuse.

**Protect Equipment,** equipment connectors that are mated frequently during manufacturing, test, check-out phases, and environmental test programs can be protected by Glenair Sav-Con® Connector Savers.

**Prolong the Service Life of Test Cables** Glenair Sav-Con® Connector Savers mated to test-cable connectors take the punishment of repetitive mating and unmating.

How To Order		805-010	Z1	8-7	P	A
<b>Sample Part Number</b>						
<b>Series</b>	805-010 = Series 805 Connector Saver					
<b>Shell Material and Finish</b>	<b>C</b> = Aluminum / Black Anodize (Non-Conductive); RoHS Compliant <b>M</b> = Aluminum / Electroless Nickel; RoHS Compliant <b>MT</b> = Aluminum / Nickel-PTFE RoHS Compliant <b>NF</b> = Aluminum / Cadmium with Olive Drab Chromate <b>ZNU</b> = Aluminum / Zinc-Nickel with Black Chromate <b>Z1</b> = Stainless Steel / Passivated; RoHS Compliant					
<b>Shell Size - Insert Arrangement</b>	See Contact Arrangements Page J-6					
<b>Contact Type * (Jam-Nut Side)</b>	<b>P</b> = Pin on Plug Side, Socket Contact on Receptacle Side <b>S</b> = Socket Contact on Plug Side, Pin Contact on Receptacle Side		<b>PP</b> = Pin on Both Sides <b>SS</b> = Socket on Both Sides			
<b>Shell Key Position (See Table I)</b>	<b>A</b> = Normal <b>B</b> = Pos. B <b>C</b> = Pos. C <b>D</b> = Pos. D <b>E</b> = Pos. E <b>F</b> = Pos. F					

Table I: Key Positions		
Key Position	Key Rotation	
	A	B
<b>A</b> (Normal)	150°	210°
<b>B</b>	75°	210°
<b>C</b>	95°	230°
<b>D</b>	140°	275°
<b>E</b>	75°	275°
<b>F</b>	95°	210°



### NOTES

1. Current Rating: #23 5 A, #16 13 A, #12 23 A
2. Dielectric Withstanding Voltage:  
#23 750 VAC, #20HD 1000 VAC, #12 and #16 1800 VAC
3. Insulation Resistance: 5000 megohms minimum
4. Operating Temperature: -65° C. to +175° C.
5. Shock: 300 g.
6. Vibration: 37 g.
7. Shielding Effectiveness: 65 dB minimum from 1GHz to 10GHz.
8. Magnetic Permeability: 2.0 μ maximum
9. Durability: 500 mating cycles

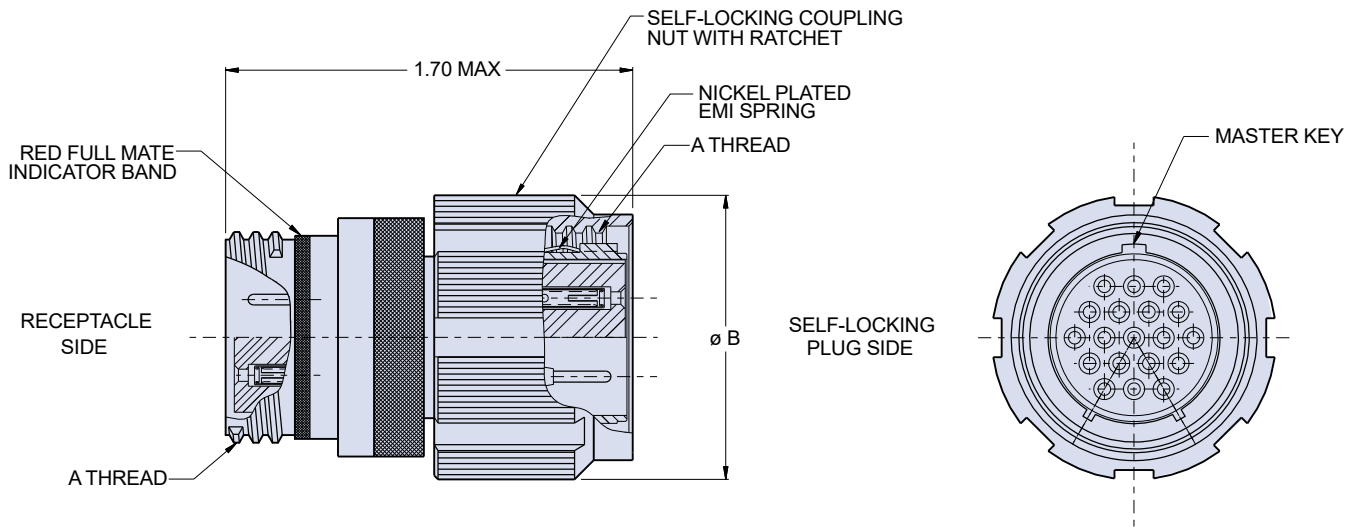


# SERIES 805 TRIPLE-START ACME THREAD Mighty Mouse Connectors and Cables



## Sav-Con® Connector Saver, Environmental

### SAV-CON® CONNECTOR SAVER



Dimensions		
Shell Size	A Threads	Ø B
8	.5000-1P-.3L-TS	.692 (17.58)
9	.5625-1P-.3L-TS	.789 (20.04)
10	.6250-1P-.3L-TS	.827 (21.01)
11	.6875-1P-.3L-TS	.918 (23.32)
12	.7500-1P-.3L-TS	.984 (24.99)
13	.8125-1P-.3L-TS	1.047 (26.59)
15	.9375-1P-.3L-TS	1.098 (27.89)
18	1.1250-1P-.3L-TS	1.287 (32.69)
19	1.1875-1P-.3L-TS	1.311 (33.30)
21	1.3125-1P-.3L-TS	1.448 (36.78)
23	1.4375-1P-.3L-TS	1.562 (39.67)

#### Materials and Finishes

- Shell: Aluminum alloy or stainless steel
- Contacts: Copper alloy, 50 µinch gold plated
- Insulators: High-grade rigid dielectric
- Seal: Fluorosilicone rubber
- Ground Spring: Nickel-plated beryllium copper

SERIES 805 TRIPLE-START ACME THREAD