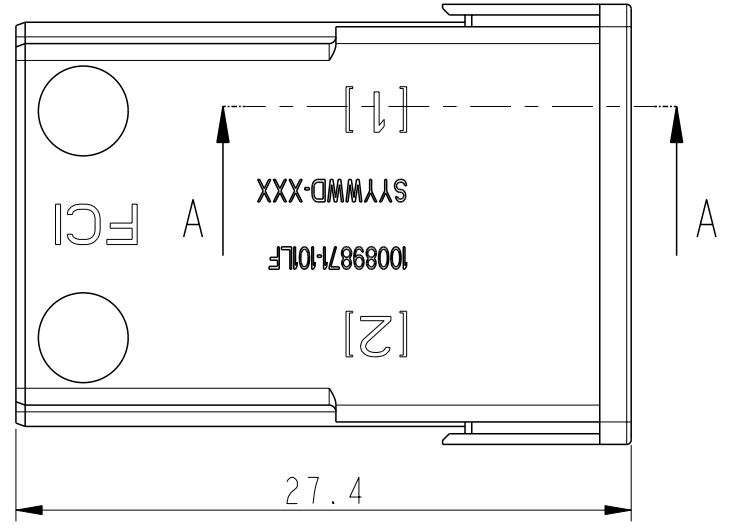
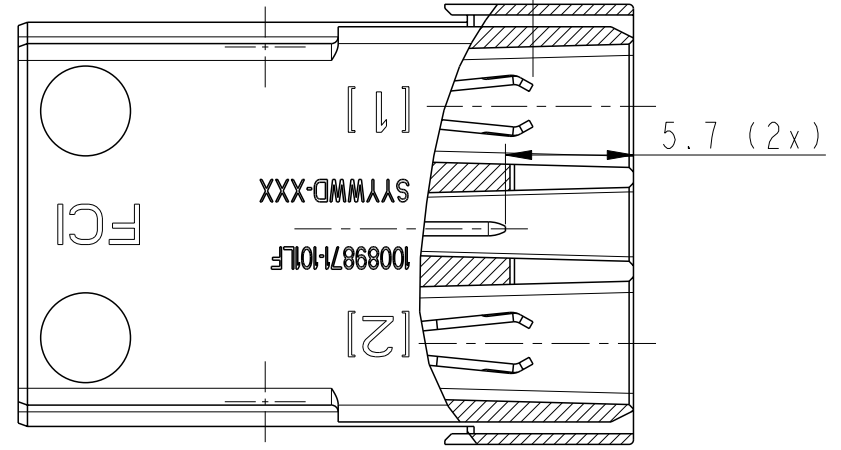


PRODUCT NUMBER
10089871

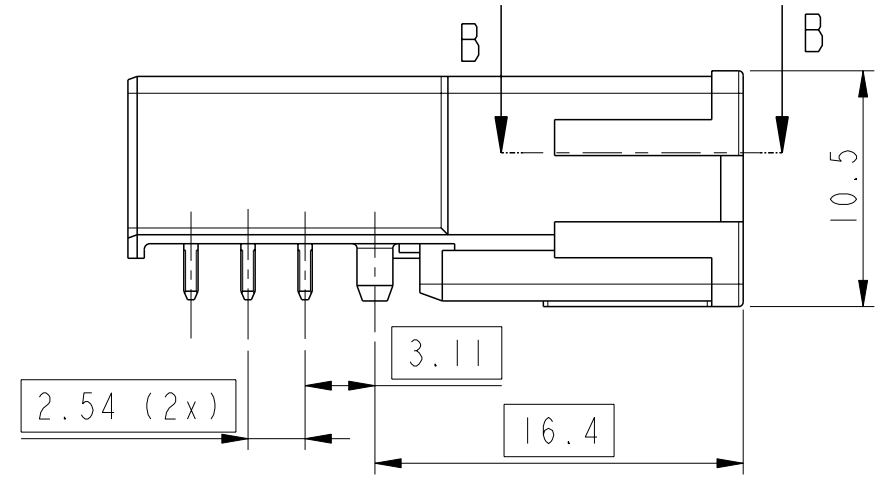
A



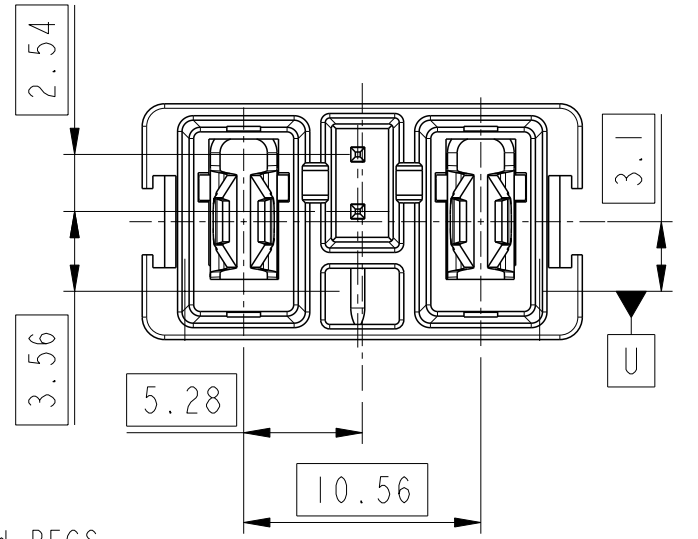
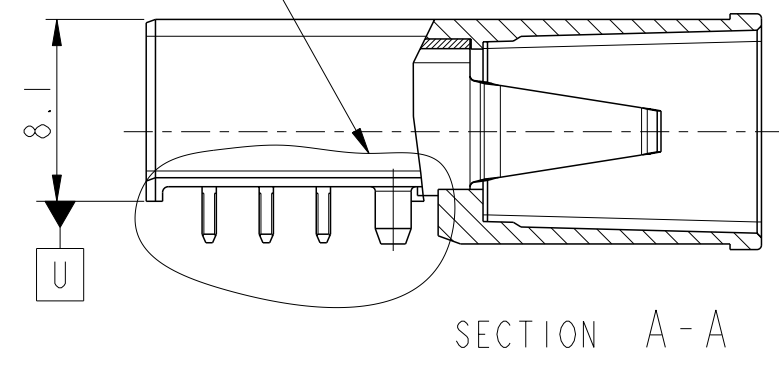
SECTION B-B 4.47 (2x)



B

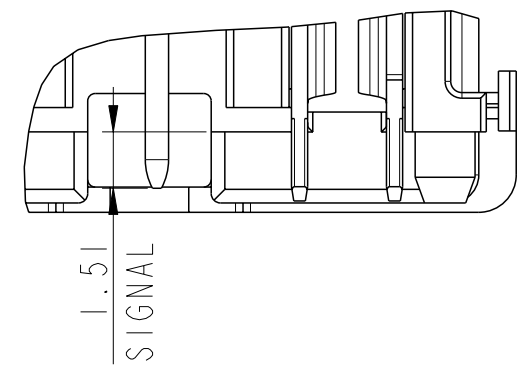


SEE DETAIL
TAILS and PEGS

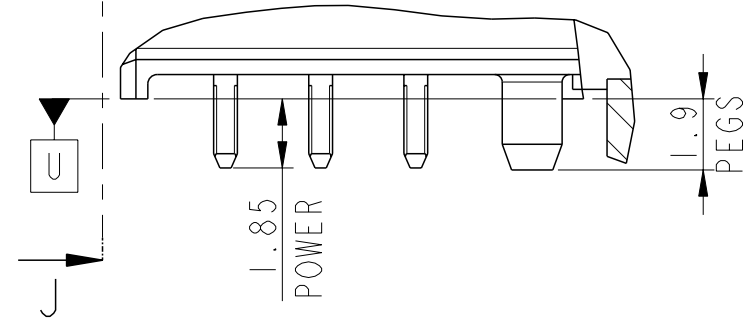


C

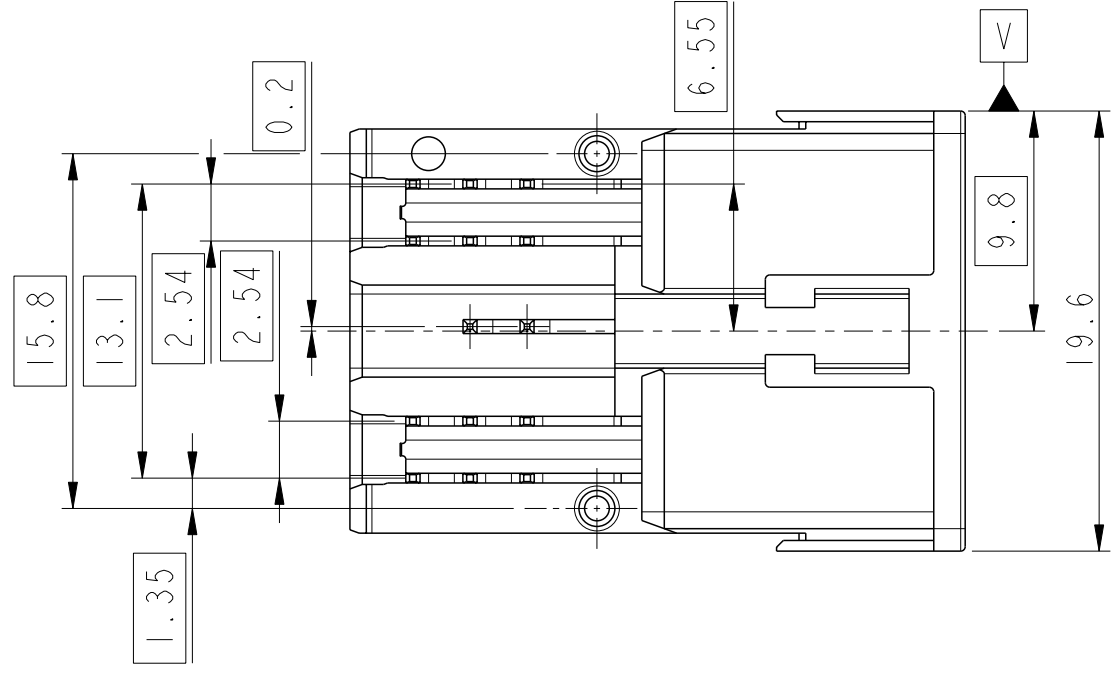
VIEW : J-J



DETAIL TAILS and PEGS
SCALE 5:1



D



www.fci.com			surface - ISO 1302	tolerance std ISO 406 ISO 1101	projection mm
			TOLERANCES UNLESS OTHERWISE SPECIFIED		
Dr	P.Poorter	2009-03-09	ANGULAR	0.X ±	size A3
Eng	J.de Bruijn	2008-08-05	LINEAR	0.XX ±	Scale 1:1
Chr	P.Poorter	2009-03-12	0° ±°	0.XXX ±	ECN H09-0094
Appr	J.de Bruijn	2009-03-12	Product family	-	Spec ref -
FCI PwrProfile+ Board Connector Assembly			dwg no 10089871		Rev. B
UNSHIELDED PIP VERSION			CUSTOMER COPY		sheet 1 of 4
catalog no					

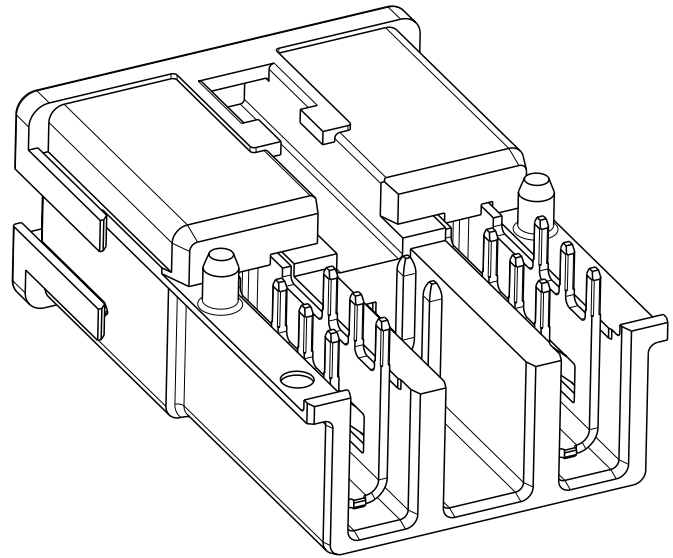
rev	ecn no	dr	date
A	H09-0076	PEP	090616
B	H09-0094	JDB	090828
-	-	-	-
-	-	-	-
-	-	-	-
-	-	-	-



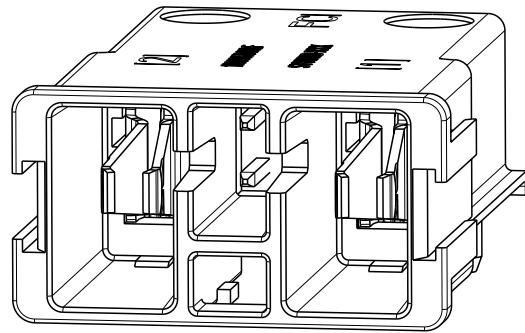
Copyright FCI.

P/N 10089871-101LF,
PIP, Enable Function (Signal Contacts Included).

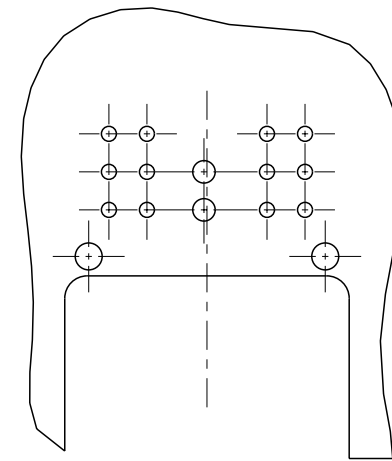
A



B



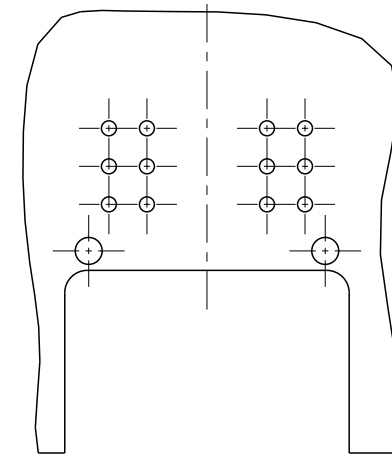
RECOMMENDED PCB LAYOUT:
PIP, Enable Function (Signal Circuit Included).



A

B

RECOMMENDED PCB LAYOUT:
PIP, No Enable Function (Signal Circuit Removed)

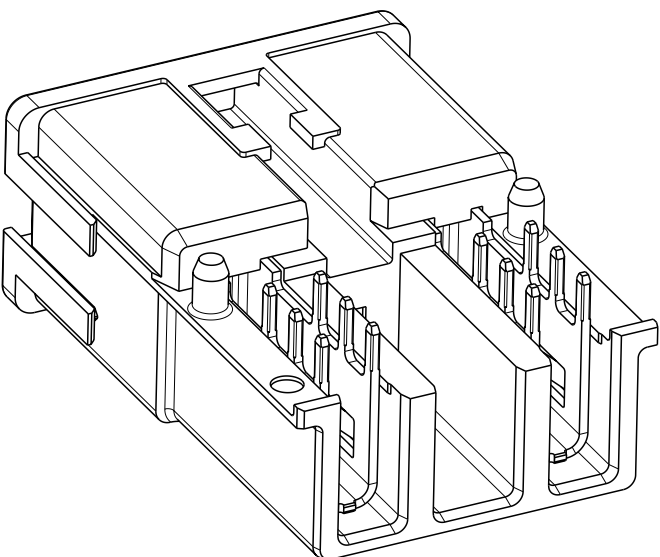


C

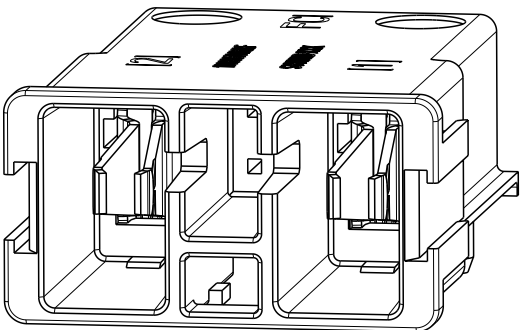
D

P/N 10089871-102LF,
PIP, No Enable Function (Signal Contacts Removed).

C



D



www.fci.com			surface ISO 1302	- ✓	tolerance std ISO 406 ISO 1101	projection mm	TOLERANCES UNLESS OTHERWISE SPECIFIED	
Dr	P.Poorter	2009-03-09	ANGULAR	LINEAR	0.X	±	size A3	Scale 1:1
Eng	J.de Bruijn	2008-08-05			0.XX	±		
Chr	P.Poorter	2009-03-12	0° ±°		0.XXX	±	ECN	H09-0094
Appr	J.de Bruijn	2009-03-12	Product family			-	Spec ref	-
			PwrProfile+ Board Connector Assembly			dwg no	10089871	
			UNSHIELDED PIP VERSION				Rev. B	
			catalog no			-	CUSTOMER COPY	sheet 2 of 4

PRODUCT NUMBER

APPLICATION FOR 10089871-101LF

A

B

C

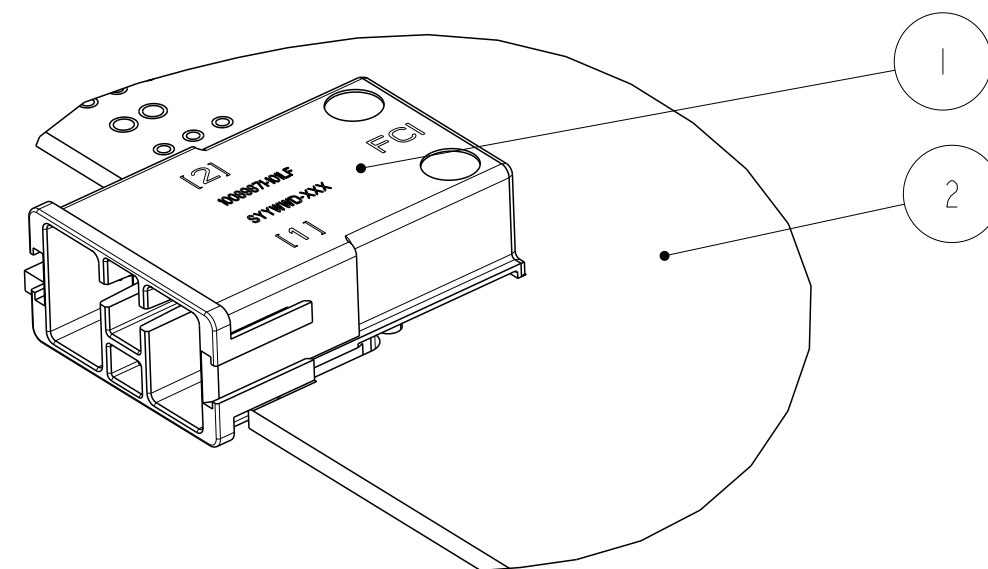
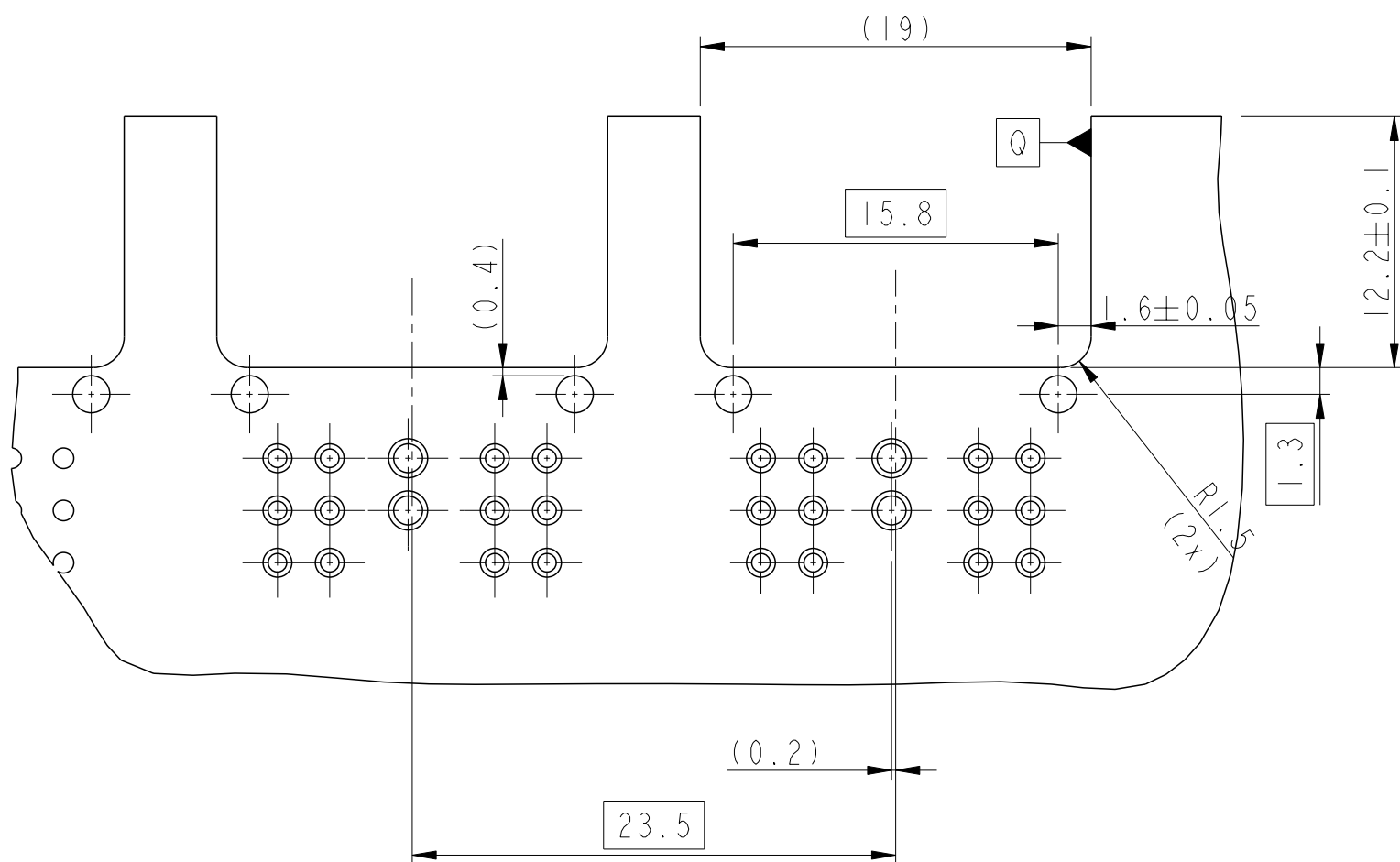
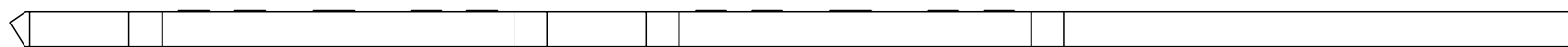
D

A

B

C

D



SCALE 2:1

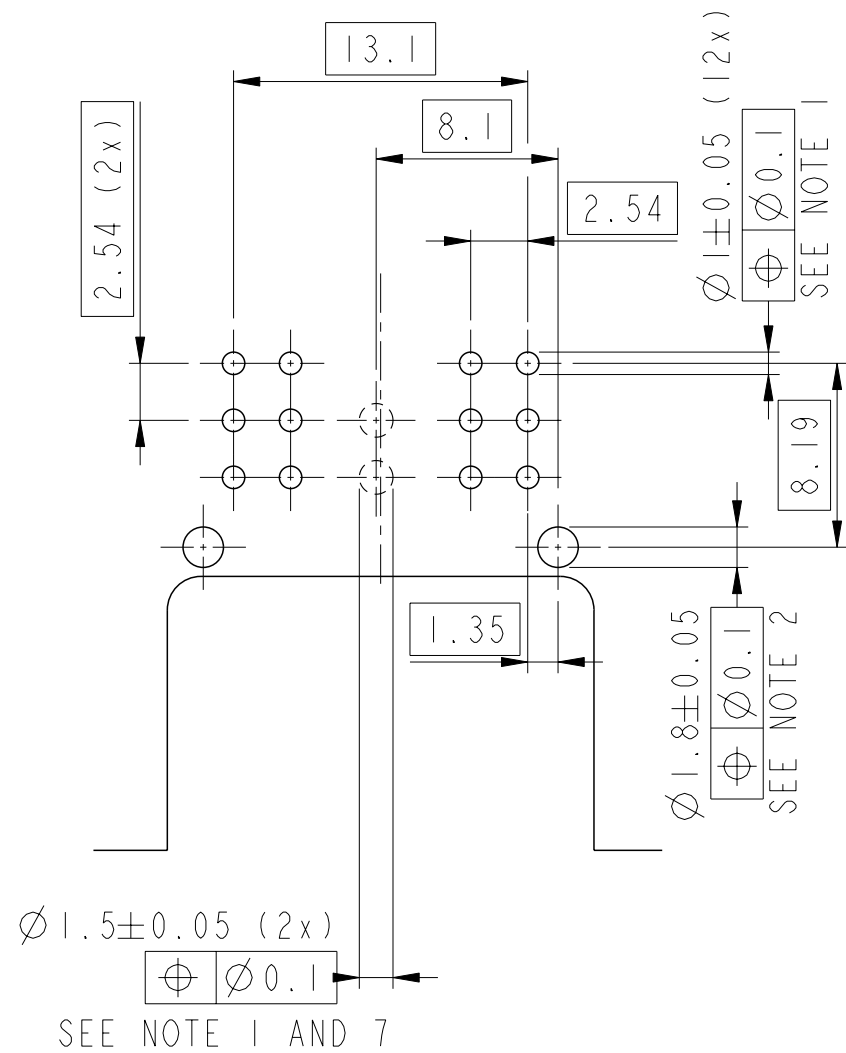
2	PCB
1	BOARD CONNECTOR
NO	PART NAME

www.fci.com			surface - ISO 1302	tolerance std ISO 406 ISO 1101	projection 	mm 	
TOLERANCES UNLESS OTHERWISE SPECIFIED						size A3	Scale 3:1
Dr	P.Poorter	2009-03-09	ANGULAR	0.X	±	ECN	H09-0094
Eng	J.de Bruijn	2008-08-05	LINEAR	0.XX	±	Spec ref	-
Chr	P.Poorter	2009-03-12	0° ±°	0.XXX	±		
Appr	J.de Bruijn	2009-03-12	Product family				
			PwrProfile+ Board Connector Assembly			dwg no	10089871
			UNSHIELDED PIP VERSION			Rev.	B
catalog no			-			CUSTOMER COPY	sheet 3 of 4

Copyright FCI.

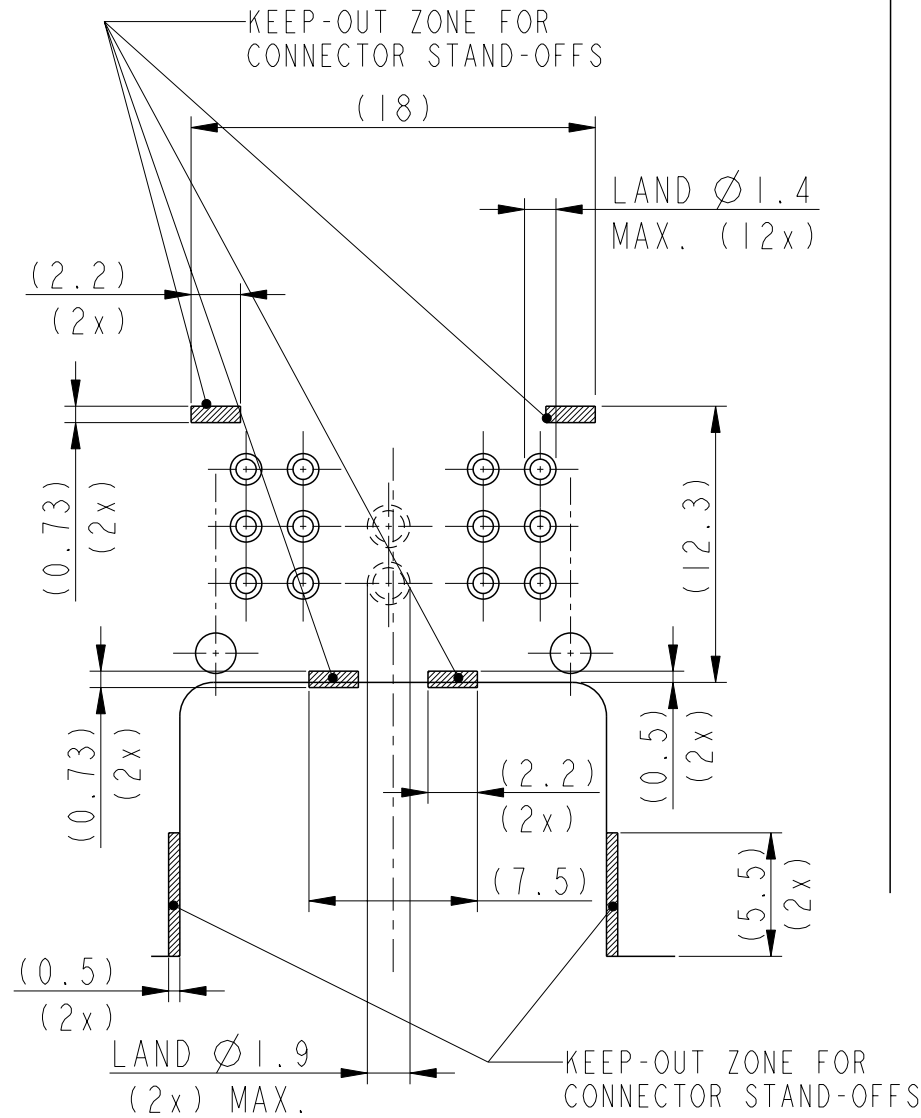
PCB LAYOUT: HOLE PATTERN

PCB thickness 1.6 - 2.4 mm.



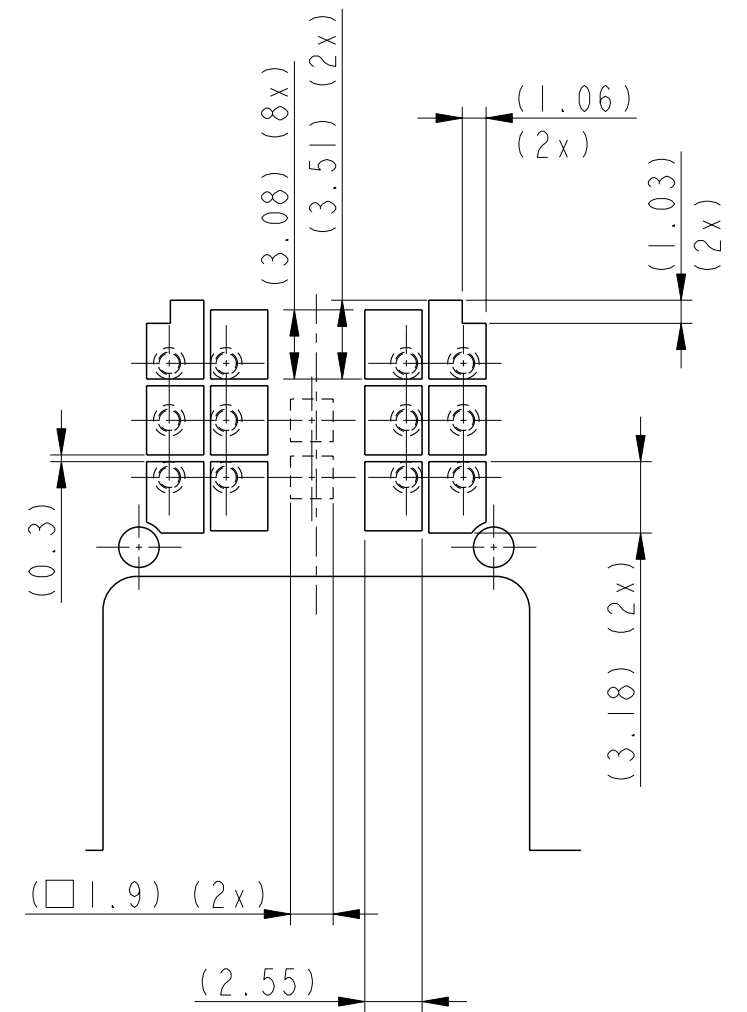
PCB LAYOUT: PLATING

Plating thickness must be constant over the connector area.



PCB LAYOUT : SOLDER PASTE

Assumed stencil thickness 0.10 mm (above copper tracks). The solder content in the paste should be sufficient, typically 50% volume percentage. The solder tail, PCB, stencil and application process determine the solder result. The squeegee process (angle, speed, pressure, material and number of cycles) must be optimized, so that sufficient solder is available.



NOTES:

- HOLE DIAMETER INCLUDES Cu PLATING
- UNPLATED HOLE
- PRODUCT SPECIFICATION: GS-12-594
- PERFORMANCE BASED CONTACT FINISH ACCORDING TO GS-12-594, SECTION 4.3
- FLAMMABILITY CLASS: UL 94-V0
- RoHS COMPLIANT
- ONLY WHEN USING PARTNUMBER 10089871-101LF.

www.fci.com			surface - <input checked="" type="checkbox"/> ISO 1302	tolerance std ISO 406 ISO 1101	projection	mm
			TOLERANCES UNLESS OTHERWISE SPECIFIED			
Dr	P.Poorter	2009-03-09	ANGULAR	LINEAR	0.X	±
Eng	J.de Bruijn	2008-08-05			0.XX	±
Chr	P.Poorter	2009-03-12	0°	±°	0.XXX	±
Appr	J.de Bruijn	2009-03-12	Product family			-
			title PwrProfile+ Board Connector Assembly		dwg no 10089871	Rev. B
			UNSHIELDED PIP VERSION			
			catalog no		CUSTOMER COPY	sheet 4 of 4



Copyright FCI.

Mouser Electronics

Authorized Distributor

Click to View Pricing, Inventory, Delivery & Lifecycle Information:

[FCI / Amphenol:](#)

[10089871-102LF](#)