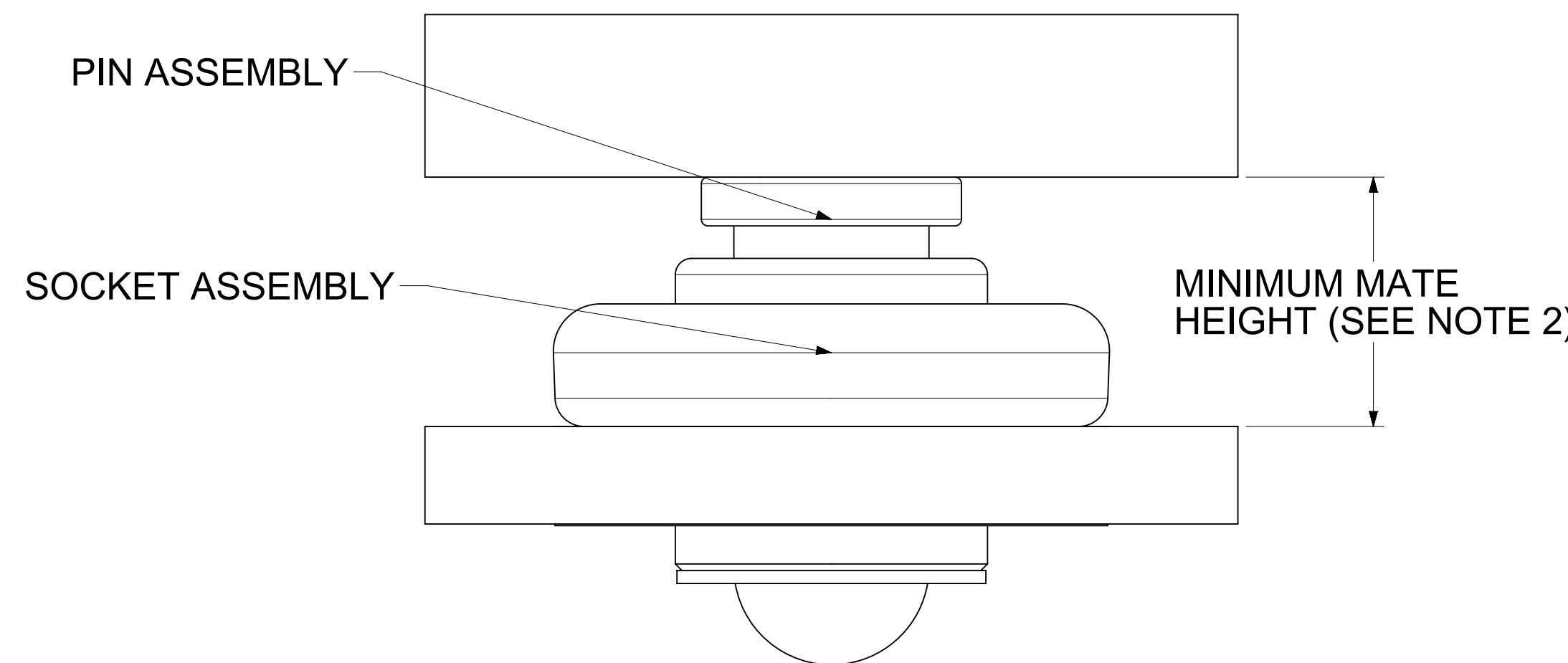
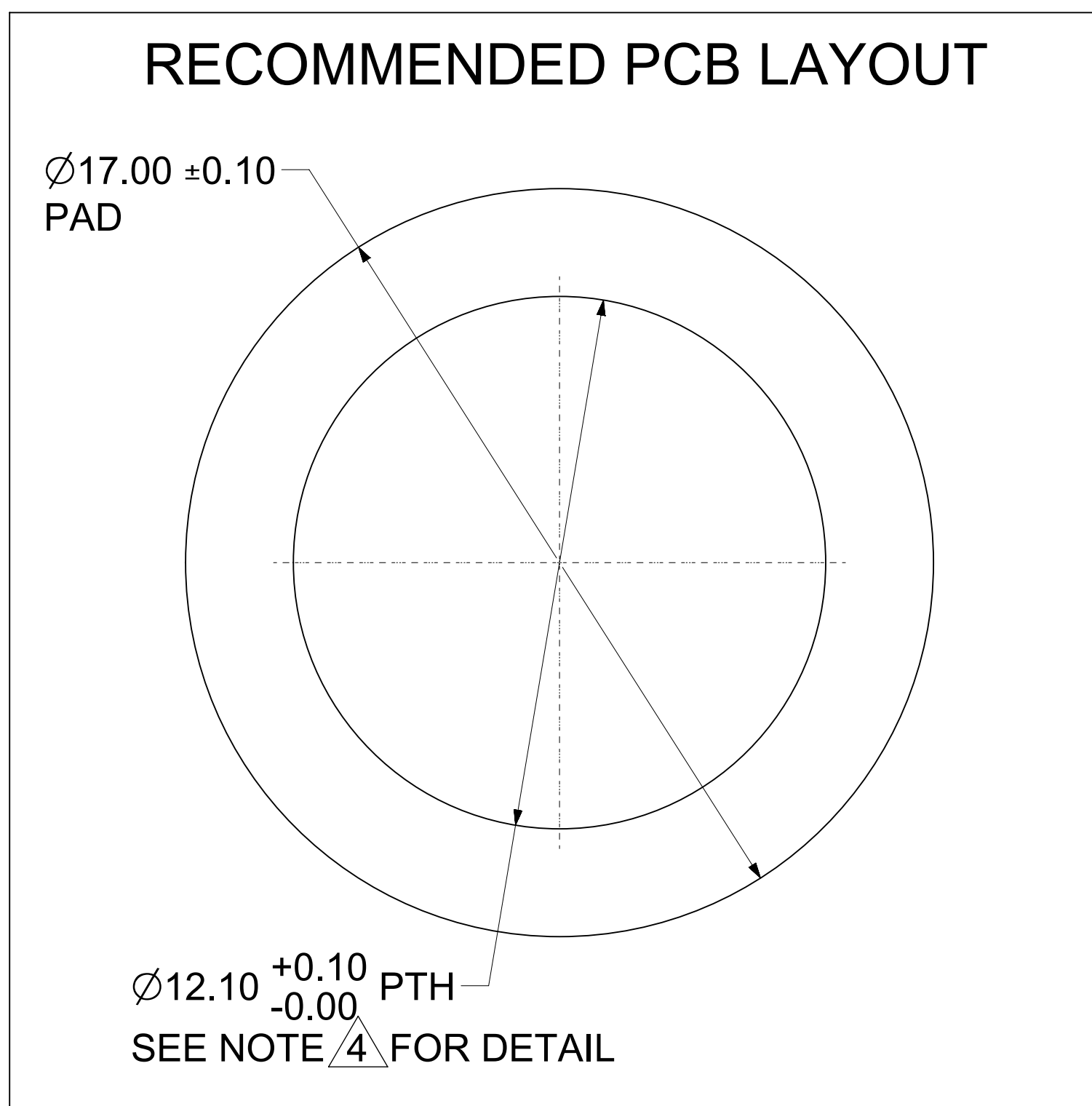
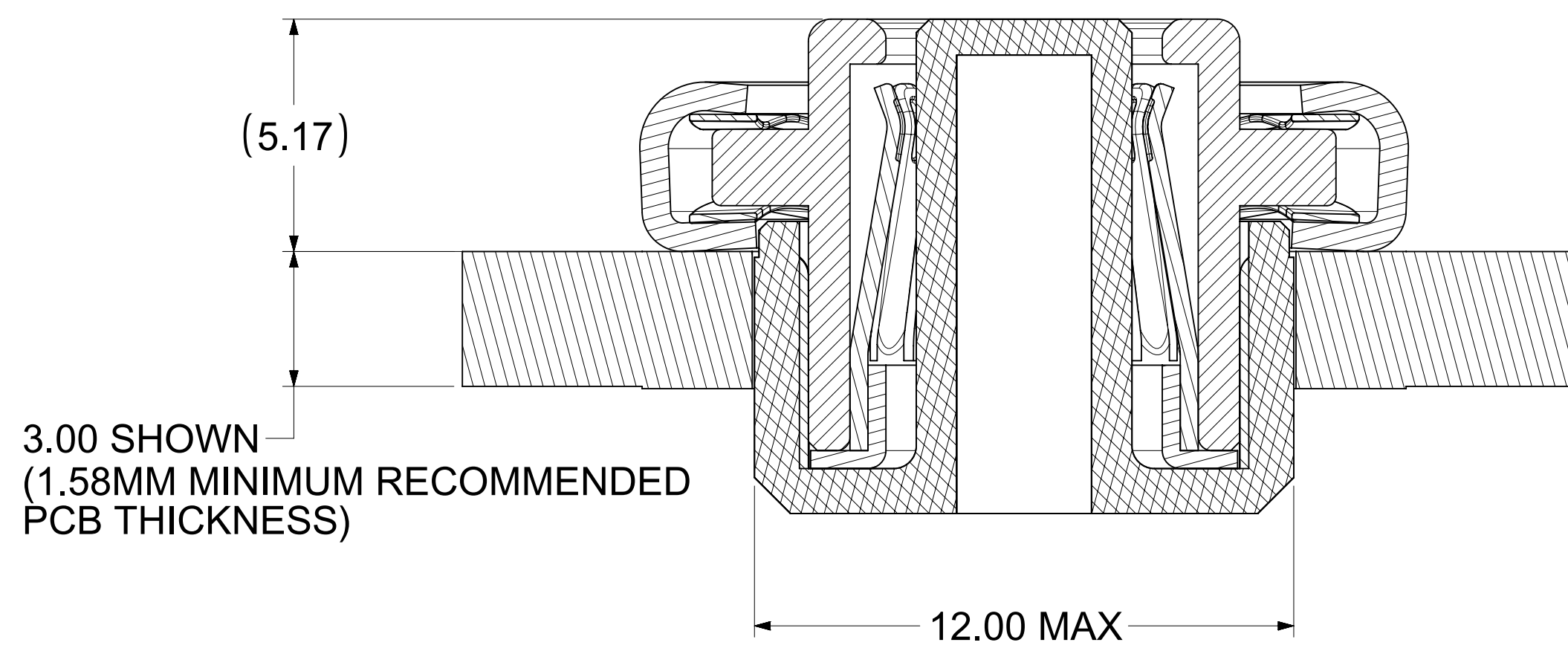
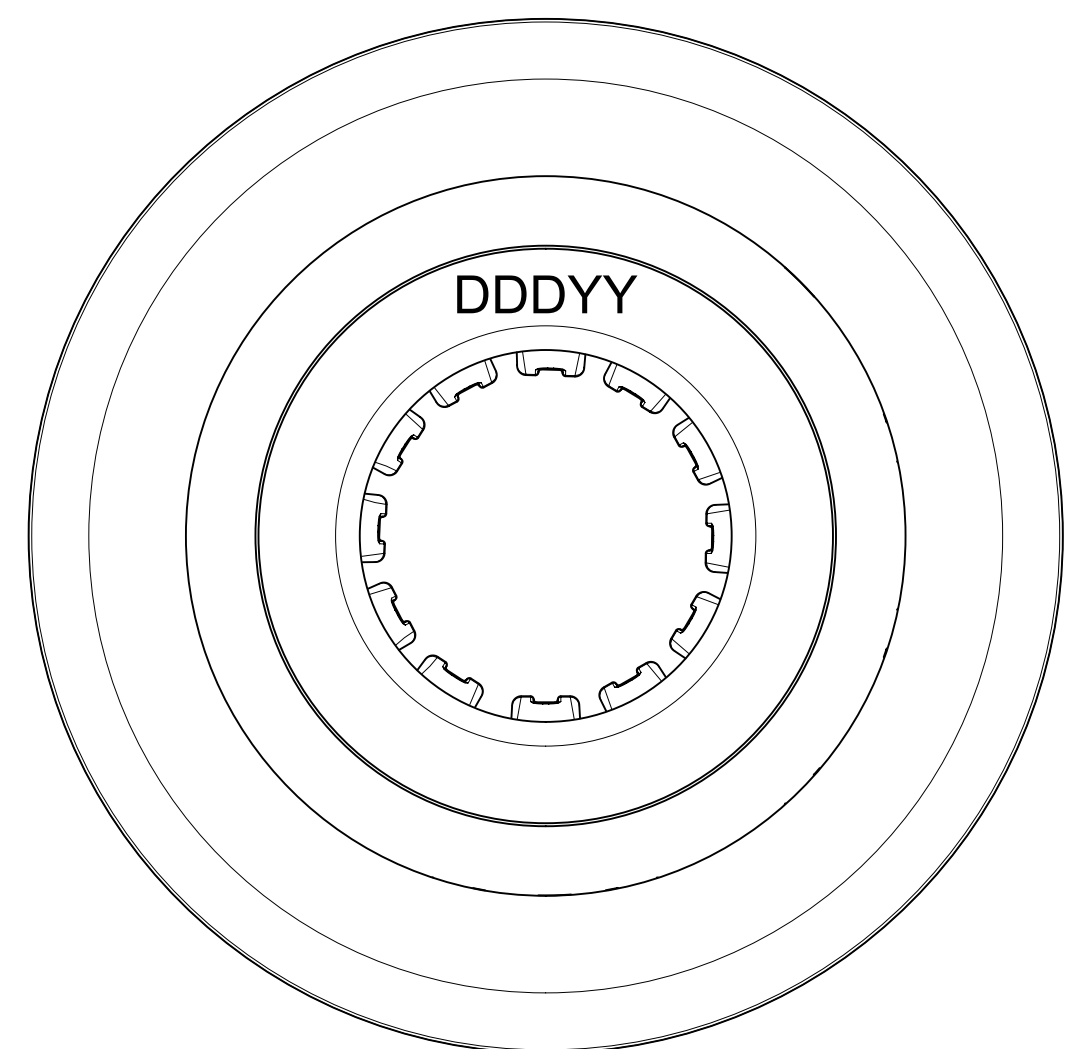
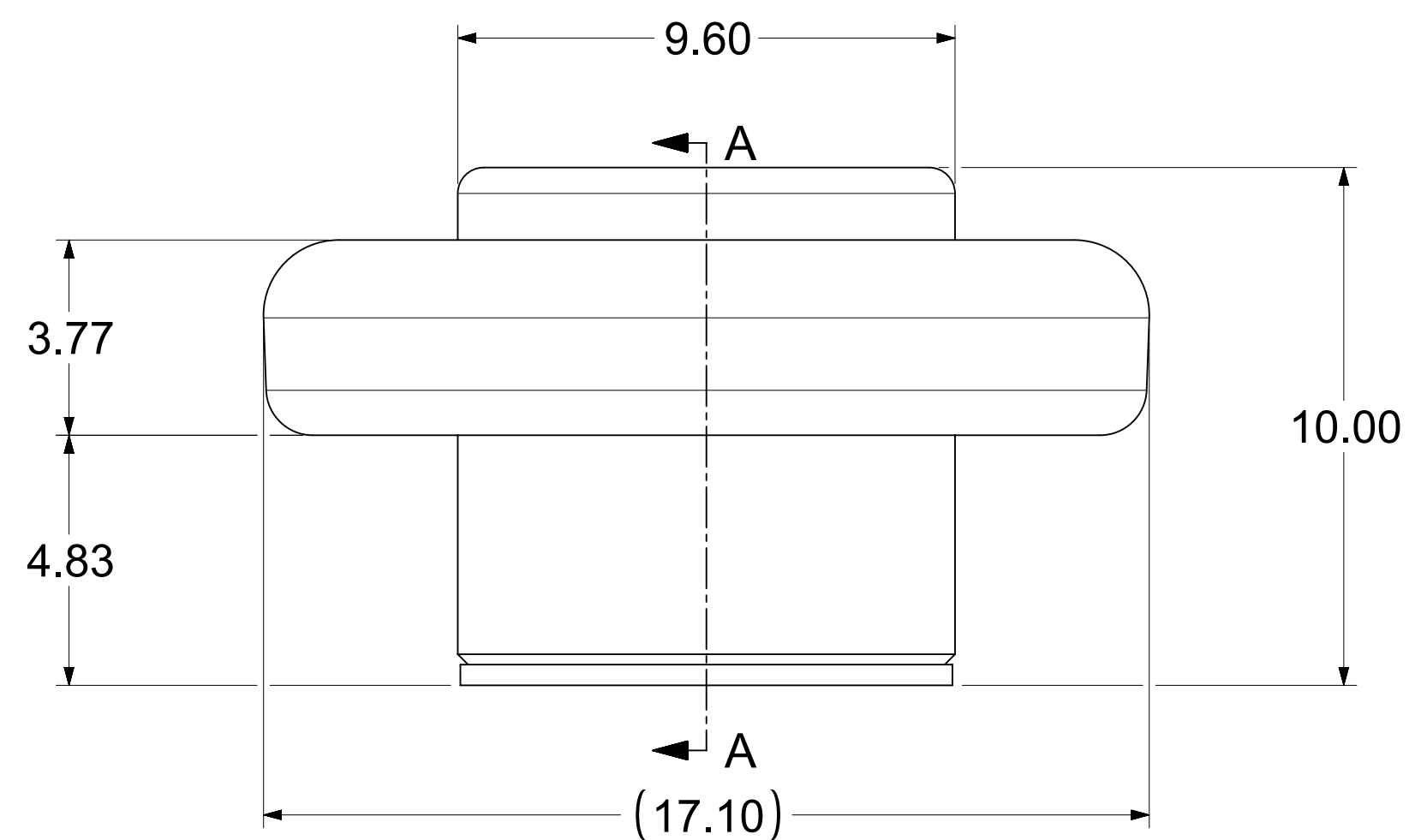


REMOVABLE PICK AND PLACE CAP SHOWN



MATING PROFILE



SECTION A-A

NOTES:

1. MATERIALS:
RETENTION CAP: STAINLESS STEEL
PICK AND PLACE CAP: LCP UL94, V-0 COLOR BLACK
BASE METAL: HIGH CONDUCTIVE COPPER ALLOY
PLATING ON CONTACTS: 0.75 MICRON MIN GOLD OVER 1.27 MICRON MIN NICKEL
PLATING ON BODY: 3.18 MICRON MIN SILVER OVER 1.27 MICRON MIN NICKEL
2. MATES WITH THE STANDARD PIN DRAWINGS:
i. 6.0MM SMT DRAWING 2032630136-SD, MIN. MATING DISTANCE 7.92MM
ii. 6.0MM PRESS FIT DRAWING 2032630006-SD, MIN. MATING DISTANCE 7.67MM
iii. 6.0MM SCREW MOUNT DRAWING 2032636185-SD, MIN. MATING DISTANCE 10.67MM
3. PRODUCT SPECIFICATION: 2043130006-PS
4. APPLICATION SPECIFICATION: 2043130006-AS
5. PACKAGING SPECIFICATION: 2121950006-PK
6. SILVER COMPONENTS WILL BE SUPPLIED TARNISH FREE BUT MAY TARNISH OVER TIME.
7. PICK AND PLACE CAP TO BE REMOVED AFTER SOLDERING. CAP TO BE PUSHED OUT OF BOTTOM FROM THE TOP.
8. DATE CODE TO BE LASER MARKED APPROXIMATELY WHERE SHOWN USING DDDYY FORMAT

| | | | | | | | | | |
|---|---------|---|-----------------|----------------|--------------|--|--|--|--|
| THIS DRAWING CONTAINS INFORMATION THAT IS PROPRIETARY TO MOLEX ELECTRONIC TECHNOLOGIES, LLC AND SHOULD NOT BE USED WITHOUT WRITTEN PERMISSION | | | | | | | | | |
| DIMENSION UNITS | SCALE | CURRENT REV DESC: UPDATED THE TITLE BLOCK | | | | | | | |
| mm | NTS | | | | | | | | |
| GENERAL TOLERANCES (UNLESS SPECIFIED) | | | | | | | | | |
| ANGULAR TOL | ± 0.5° | | | | | | | | |
| 4 PLACES | ± | EC NO: 747243 | | | | | | | |
| 3 PLACES | ± | DRWN: SACHIK7 | 2023/02/28 | | | | | | |
| 2 PLACES | ± 0.15 | CHK'D: SCS02 | 2023/04/25 | | | | | | |
| 1 PLACE | ± 0.25 | APPR: HTHYAGARAJ | 2023/04/26 | | | | | | |
| 0 PLACES | ± | INITIAL REVISION: | | | | | | | |
| DRAFT WHERE APPLICABLE MUST REMAIN WITHIN DIMENSIONS | | DRWN: RLOW | 2019/05/16 | | | | | | |
| | | APPR: BPISZCZOR | 2019/05/30 | | | | | | |
| THIRD ANGLE PROJECTION | DRAWING | SERIES | MATERIAL NUMBER | CUSTOMER | SHEET NUMBER | | | | |
| | D-SIZE | 212195 | 2121950006 | GENERAL MARKET | 1 OF 1 | | | | |

molex

6.0MM SENTRALITY TOP ENTRY SMT SOCKET WITH FLOAT IN T&R

PRODUCT CUSTOMER DRAWING

| | | | |
|-----------------|----------|----------|----------|
| DOCUMENT NUMBER | DOC TYPE | DOC PART | REVISION |
| 2121950006-SD | PSD | 000 | B2 |