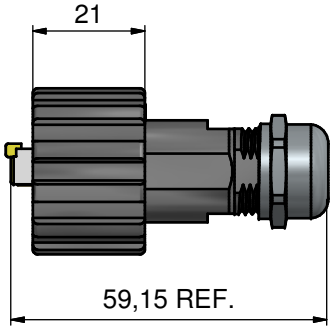
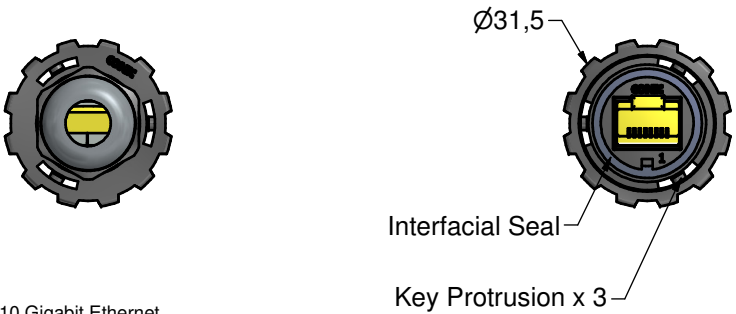
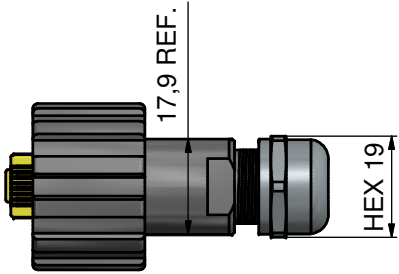
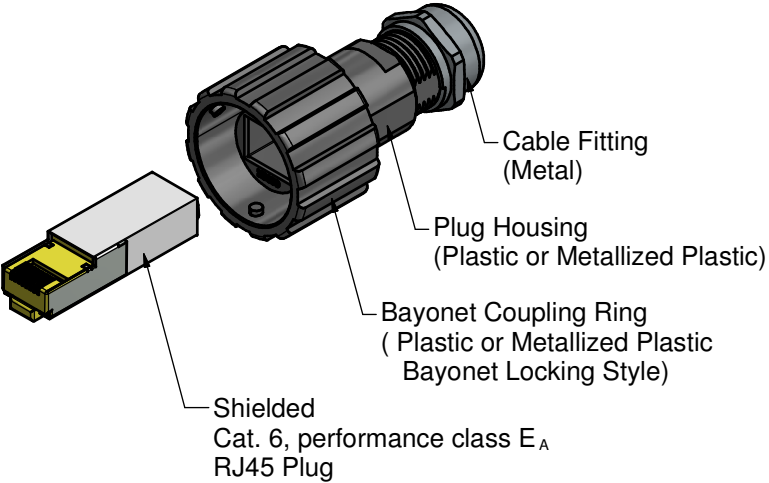


Version	Part Number
Plastic Version	17-170004
Metallized Plastic Version	17-170014



NOTES:

- Electrical Specifications:
 - Meets Cat.6, performance class E_A, suitable 1 and 10 Gigabit Ethernet
 - Mating Face: RJ45 accd. IEC 60603-7
 - Termination: IDC, tool-less, field assembly
 - Operating Temperature: -40°C to +70°C
- Material and Finish:
 - Coupling Ring and Plug Housing: Polyester (Black) or Metallized ABS, UL94 V-0 (Nickel Plated)
 - Interfacial Seal: Silicone, Color: White
 - Cable Fitting Rubber Ring: NBR, Color: Black
 - RJ45 Plug Metall Shell: Copper Alloy, Nickel plated
 - Mating cycles: min. 750
- RJ45 Plug accepts both Stranded and Solid Cables AWG 27 up to AWG 22 max. wire diameter Ø1,5mm
- Metal Cable Fitting accepts Cable Outer Diameter Range of 4.5mm to 8mm
- IP67 rated when fully mated with the appropriate mating connector

RoHS compliant

THIS DRAWING MAY NOT BE COPIED OR REPRODUCED IN ANY WAY, AND MAY NOT BE PASSED ON TO A THIRD PARTY WITHOUT WRITTEN PERMISSION. OWNERSHIP AND COPYRIGHT OF CONEC GmbH DO NOT ALTER CAD DRAWING BY HAND	tolerance		 dim. in mm	scale:	2:1
	date			name	material:
	drawn	16.02.15	Henneboel	title: RJ45 Plug Kit Industrial Ethernet Connector (IP67) with shield Cat.6, performance class E _A , 8pos.	
	appd.	12.03.15	Fischer		
	norm				
d-old			dwg no:		DIN-A3
a	Original			17K1A454	sh: 1
rev.	description	date	name	part no:	SEE TABLE

