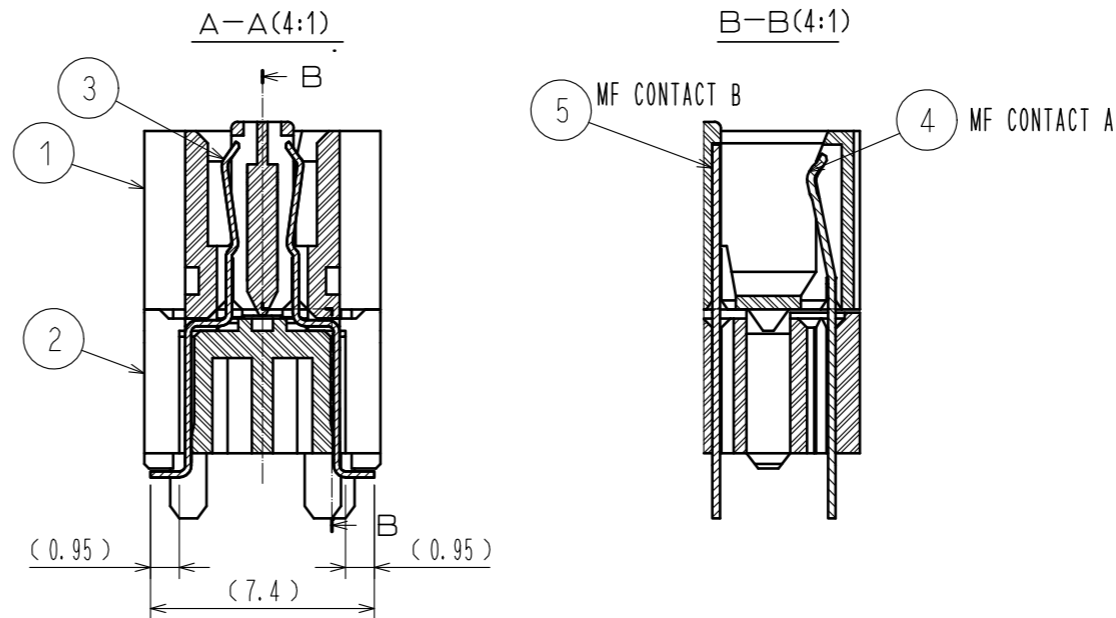
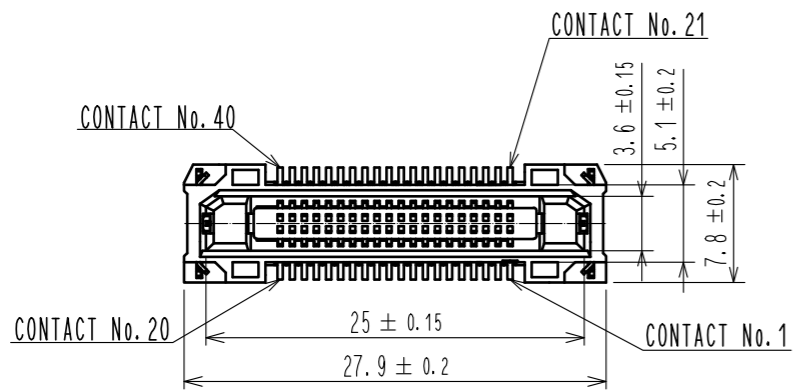
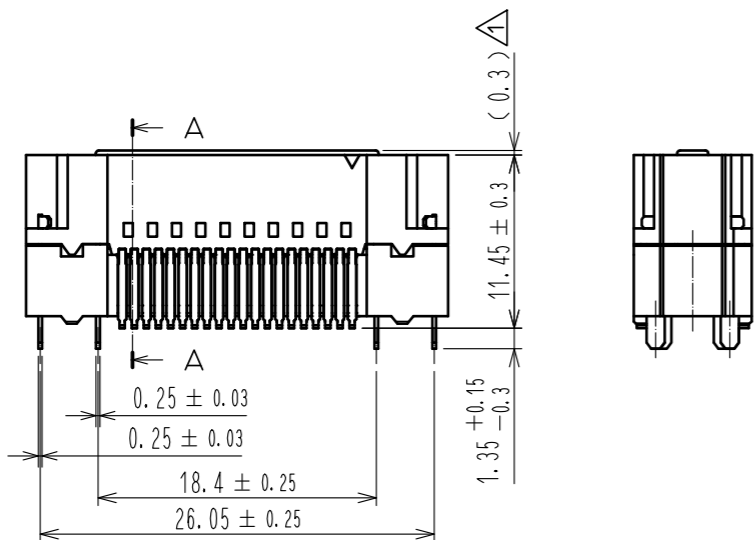


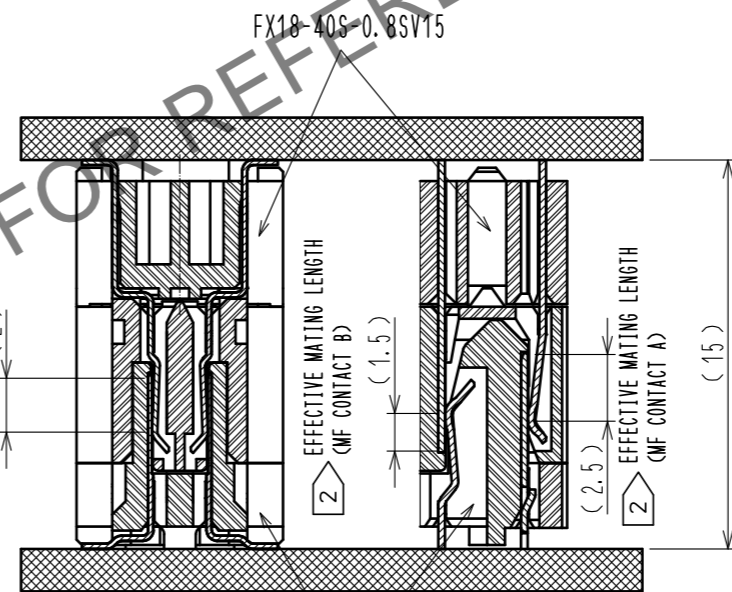
May.1.2024 Copyright 2024 HIROSE ELECTRIC CO., LTD. All Rights Reserved.  
 In case of consideration for using Automotive equipment / device which demand high reliability, kindly contact our sales window correspondents.



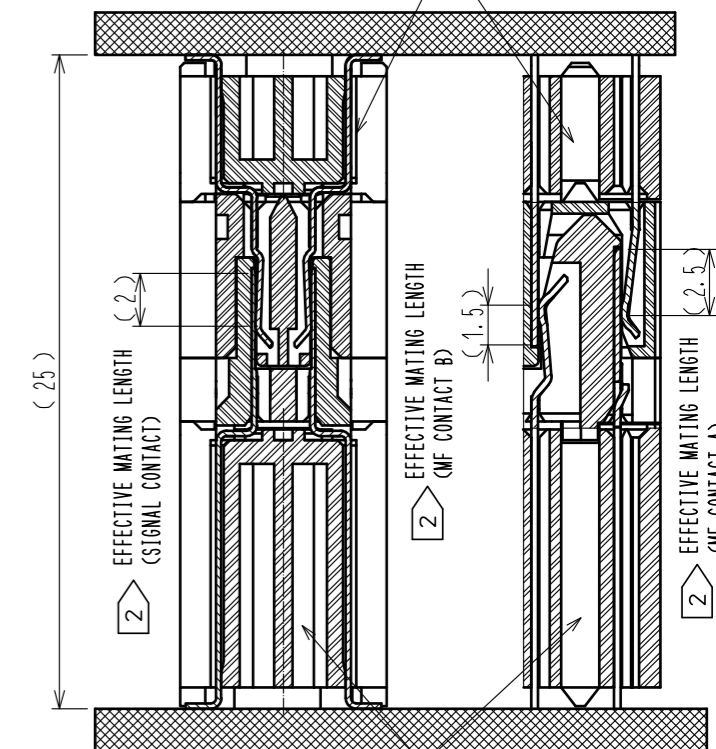
CROSS SECTION OF MATING(FREE)  
 STACKING HEIGHT=25mm



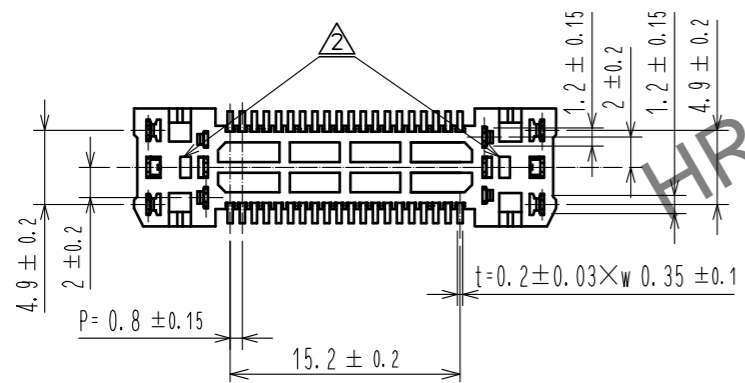
CROSS SECTION OF MATING(FREE)  
 STACKING HEIGHT=15mm



FX18-40P-0.8SV



FX18-40P-0.8SV10



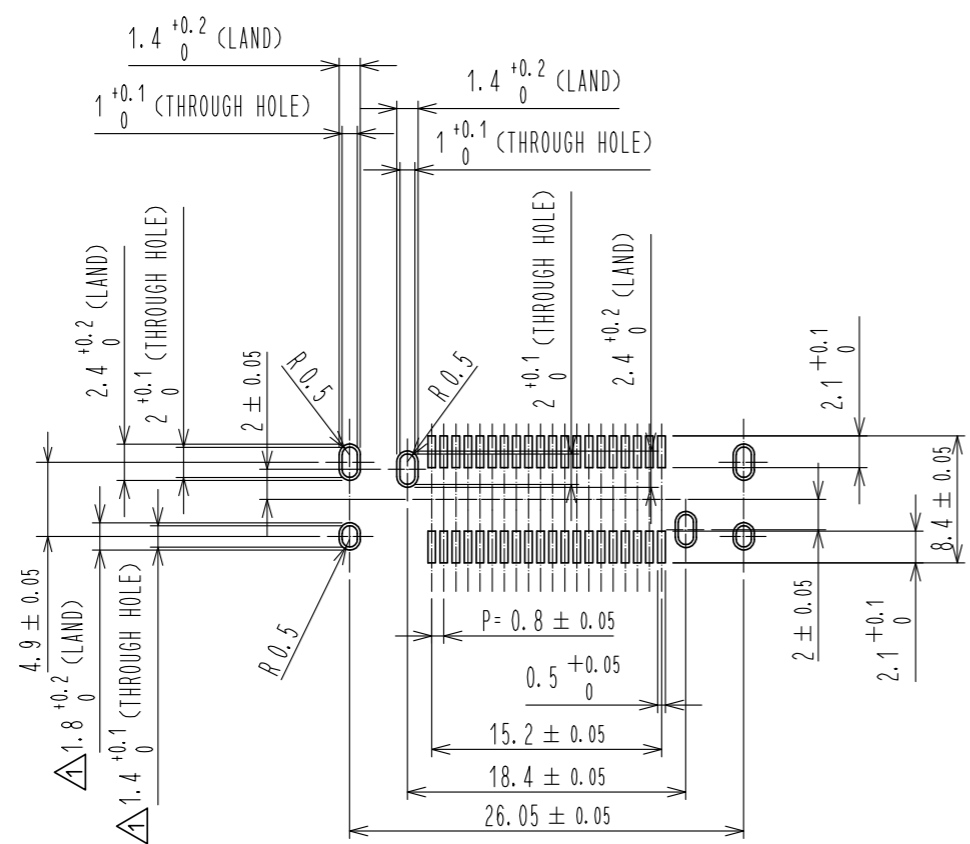
NOTE 1 LEAD CO-PLANARITY IS 0.1mm MAX.

- ② CONTACTS ARE 3 STEPS SEQUENTIAL. (MF CONTACT A=>SIGNAL CONTACT=>MF CONTACT B)  
 WHEN USING THIS SEQUENTIAL STRUCTURE, PLEASE AVOID ANGLED INSERTION.
- ③ MF CONTACT A AND MF CONTACT B CAN BE USED AS POWER SUPPLY CONTACT. (3A/PIN MAX)
- ④ IT SHOWS THE VACUUM PICKUP AREA. (SEE PAGE 2)  
 REMOVE THE MYLAR TAPE BEFORE MATING CONNECTORS.
- ⑤ THIS IS PACKAGED IN TRAY. (60pcs/TRAY)
- ⑥ BLEMISH AND HIT MARK CAN BE OCCURED THROUGH OUT THE MANUFACTURING PROCESS WHICH DOESN' T AFFECT QUALITY LEVEL.
- ⑦ THE DIMENSIONS IN PARENTHESES ARE FOR REFERENCES.

3	PHOSPHOR BRONZE	CONTACT AREA:GOLD 0.1 μm LEAD AREA:GOLD 0.03 μm UNDER PLATING:NICKEL 1.3 μm	5	COPPER ALLOY	CONTACT AREA:GOLD 0.1 μm LEAD AREA:TIN-PLATING 1 μm UNDER PLATING:NICKEL 1.3 μm			
2	POLYAMIDE	BLACK UL94V-0	4	COPPER ALLOY	CONTACT AREA:GOLD 0.1 μm LEAD AREA:TIN-PLATING 1 μm UNDER PLATING:NICKEL 1.3 μm			
1	POLYAMIDE	BLACK UL94V-0						
NO.	MATERIAL	FINISH .	REMARKS	NO.	MATERIAL	FINISH .	REMARKS	
	UNITS mm	⊙	SCALE 2 : 1	△	COUNT 1	DESCRIPTION OF REVISIONS DIS-F-00017847		
						DESIGNED KS. NAKAJIMA	CHECKED HT. YAMAGUCHI	DATE 20230324
						APPROVED : HS. OKAWA	20110318	DRAWING NO. EDC3-334386-00
						CHECKED : KI. HIROKAWA	20110318	PART NO. FX18-40S-0.8SV15
						DESIGNED : TH. SANO	20110318	CODE NO. CL0579-0026-3-00
						DRAWN : TH. SANO	20110318	1/2

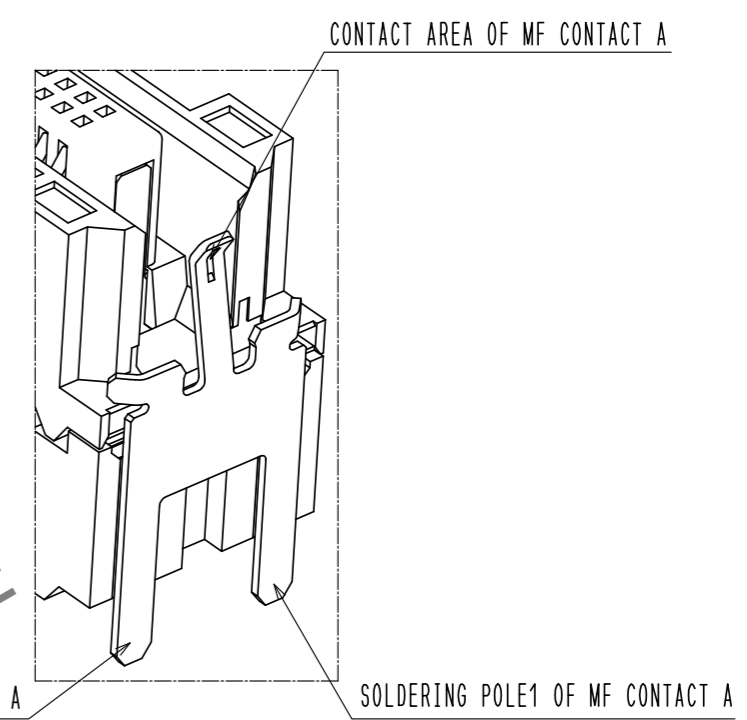
May.1.2024 Copyright 2024 HIROSE ELECTRIC CO., LTD. All Rights Reserved.  
 In case of consideration for using Automotive equipment / device which demand high reliability, kindly contact our sales window correspondents.

RECOMMENDED LAND PATTERN DIMENSION OF PCB(2:1)  
 (PCB THICKNESS:t=1.6mm METAL MASK THICKNESS:t=0.12mm)

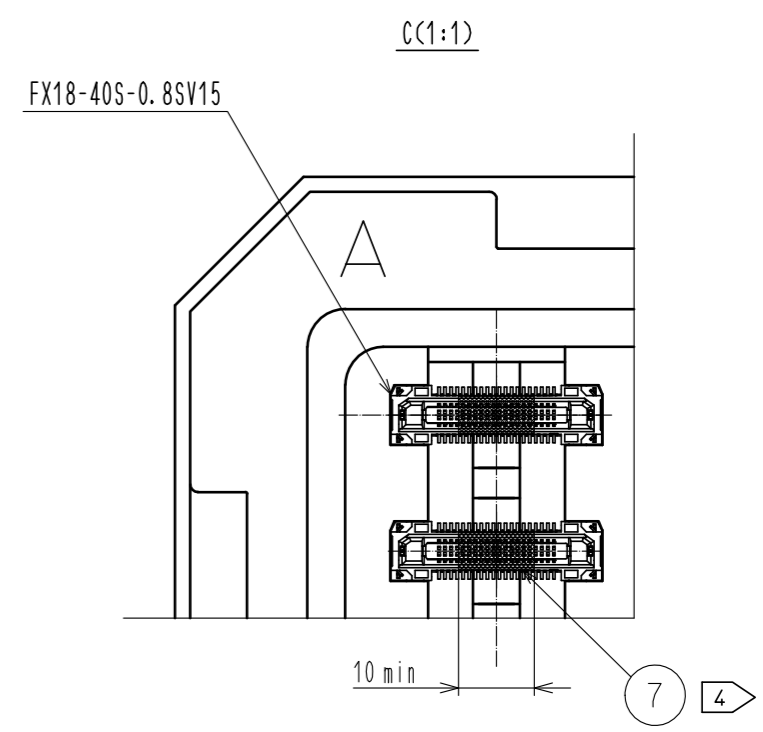
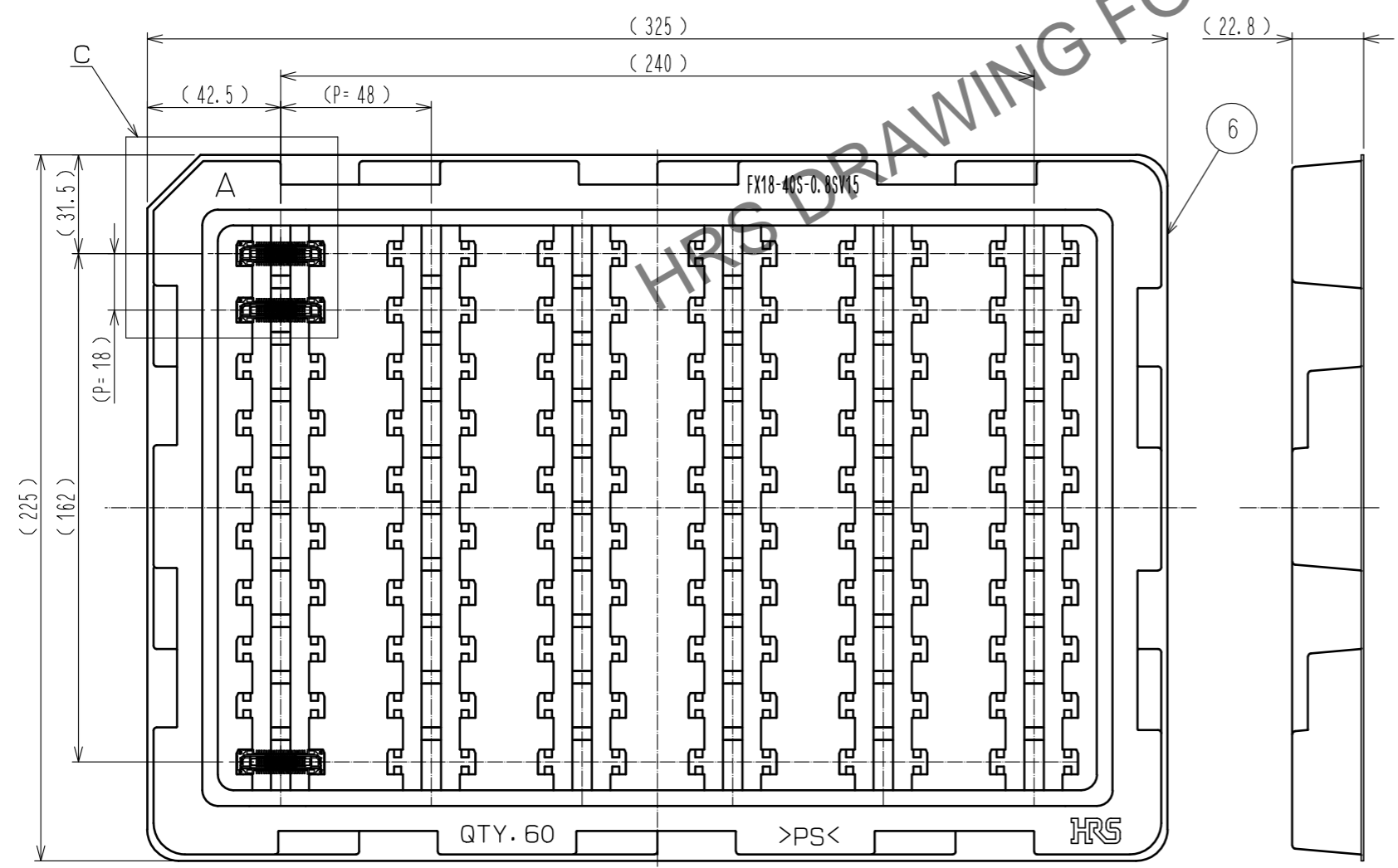


5 DRAWING FOR PACKING(1:2)

8 CONFIGURATION OF MF CONTACT A



NOTE 8 SOLDERING LEAD OF MF CONTACT A SPLITS INTO TWO POLES.  
 BE SURE TO CONNECT TO THE SAME CIRCUIT.



<b>HRS</b>	DRAWING NO.	EDC3-334386-00
	PART NO.	FX18-40S-0.8SV15
	CODE NO.	CL0579-0026-3-00
		2/2