

Features

- Both continuous and fixed Vdd options available
- Output waveform CMOS
- Hermetically seam-sealed ceramic package
- Low current consumption

STANDARD SPECIFICATIONS ^[Note 1]	
PARAMETERS	MAX (Unless otherwise noted)
Frequency Range (F ₀)	9.600 ~ 60.000MHz
Temperature Range	
Operating (T _{OPR})	-40°C ~ +105°C (see option in table)
Storage (T _{STG})	-40°C ~ +125°C
Frequency Stability vs:	
Tolerance (Reference to f ₀ , at 25°C±2°C, Pre-reflow)	±1 PPM
Tolerance (Reference to f ₀ , at 25°C ±2°C, 24 hours after reflow, two times)	±2 PPM
Temperature (See Options (Table 1))	±2.5 PPM
Supply Voltage Change (V _{DD} ±5%)	±0.2 PPM
Load Change	±0.2 PPM
Aging (First year @+25°C±2°C)	±1.0 PPM
Supply Voltage (V _{DD})	3.3V±5% 3.0V±5% 2.8V±5% 2.5V±5% 1.8V±5% 1.68V to 3.63V
Supply Current (I _{DD})	
9.60MHz ~ 20.00MHz	4.8 mA
20.01MHz ~ 30.00MHz	5.5 mA
30.01MHz ~ 40.00MHz	6.0 mA
40.01MHz ~ 50.00MHz	7.0 mA
50.01MHz ~ 60.00MHz	8.0 mA
Start-up Time	10 ms
Rise and Fall Time (Tr/Tf) @10%Vdd-90%Vdd, 15pF load	5 ns
Symmetry @ ½ Vdd	50±5%
Output Voltage	
V _{OH}	90%Vdd Min.
V _{OL}	10%Vdd
Output Waveform	CMOS
Output Load	15 pF
Moisture Sensitivity Level (MSL)	1
Tri-State function ^[Note 2]	"1" (VIH≥0.7*Vdd) or Open: Oscillation; "0" (VIL<0.3*Vdd): No Oscillation/Hi Z
Stand-by Current (INH = GND)	10 µA

Note 1: All measurements made at 25°C ±2°C, nominal Vdd, unless otherwise specified

Note 2: Do not leave pin 1 (INH) floating. If pin 1 (INH) is not utilized for toggling, it must be tied to Vdd (logic 1).

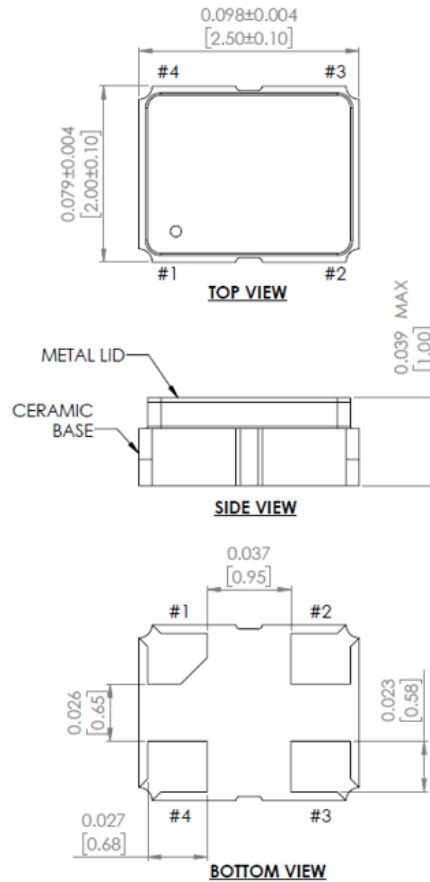


PARAMETERS	MAX (Unless otherwise noted)	
Phase Noise (@ 10 MHz Carrier, @ 25°C ±2°C)		
@10Hz offset	-98 dBc/Hz Typical	-94 dBc/Hz
@100Hz offset	-122 dBc/Hz Typical	-118 dBc/Hz
@1kHz offset	-145 dBc/Hz Typical	-141 dBc/Hz
@10kHz offset	-152 dBc/Hz Typical	-149 dBc/Hz
@100kHz offset	-154 dBc/Hz Typical	-151 dBc/Hz
@1MHz offset	-154 dBc/Hz Typical	-151 dBc/Hz
@5MHz offset	-155 dBc/Hz Typical	-152 dBc/Hz
Phase Noise (@ 52 MHz Carrier, @ 25°C ±2°C)		
@10Hz offset	-83 dBc/Hz Typical	-79 dBc/Hz
@100Hz offset	-106 dBc/Hz Typical	-102 dBc/Hz
@1kHz offset	-127 dBc/Hz Typical	-123 dBc/Hz
@10kHz offset	-147 dBc/Hz Typical	-144 dBc/Hz
@100kHz offset	-154 dBc/Hz Typical	-151 dBc/Hz
@1MHz offset	-155 dBc/Hz Typical	-152 dBc/Hz
@10MHz offset	-155 dBc/Hz Typical	-152 dBc/Hz
@20MHz offset	-155 dBc/Hz Typical	-152 dBc/Hz

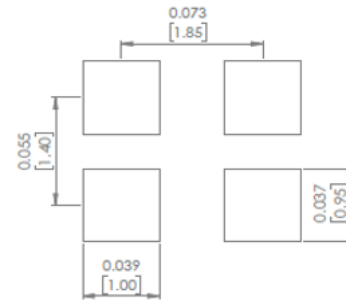
Table 1					
Available Options by Stability & Operating Temp					
Operating Temperature (°C)	±2.5PPM	±3.0PPM	±4.0PPM	±5.0PPM	±10.0PPM
0 ~ +70	O	O	O	O	O
-10 ~ +60	O	O	O	O	O
-20 ~ +70	O	O	O	O	O
-30 ~ +75	O	O	O	O	O
-30 ~ +85	O	O	O	O	O
-40 ~ +85	O	O	O	O	O
-40 ~ +105	X	X	X	O	O

Key: O = Available, X = Not Available

DIMENSIONS / MECHANICAL SPECIFICATIONS



Recommended Land Pattern



Dimensions: inches [mm]

Pin #	Function
1	INH
2	GND
3	Output
4	Vdd

INH Function	
#1	#3 (Output)
Open	Active
"H" Level	Active
"L" Level	High Z (No Oscillation)

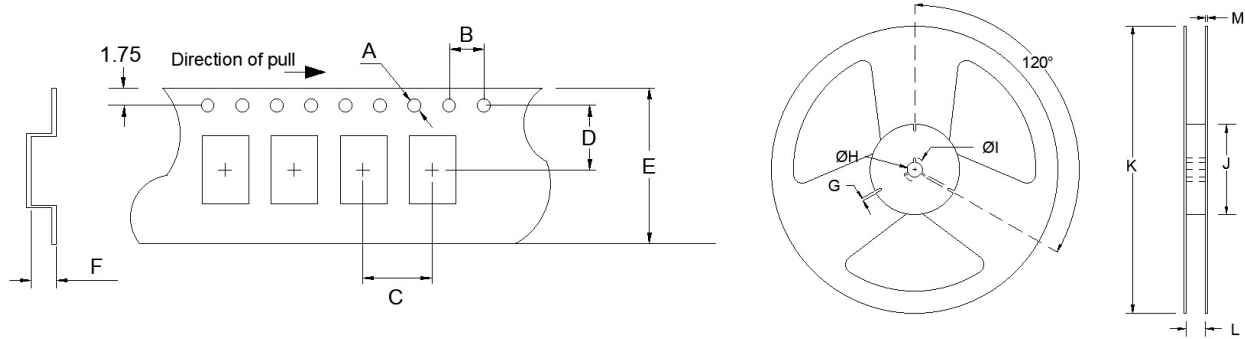
Note 3:
 Recommended to use approximately 0.01µF bypass capacitor between PIN 2 and PIN 4

FT2MH

2.5mm x 2.0mm CONTINUOUS VOLTAGE SMD TCXO



TAPE SPECIFICATIONS (mm)							REEL SPECIFICATIONS (mm)						
A	B	C	D	E	F	REEL QTY	G	H	I	J	K	L	M
ø1.5	4.0	4.0	3.5	8.0	1.15	-T3 = 3,000 -T1 = 1,000	2.5	ø13.2	ø21	ø60.2	ø178	9.0	1.5



Available Options & Part Identification

Sample PN: FT2MHKNC40.0-T1

F	T2MH	K	N	C	40.0	-T1
Fox	Model Number T2MH = TCXO	Voltage K = 1.8V±5% H = 2.5V±5% Q = 2.8V±5% D = 3.0V±5% B = 3.3V±5% U = 1.68V ~ 3.63V	Stability P = ±2.5PPM N = ±3.0PPM M = ±4.0PPM L = ±5.0PPM H = ±10.0PPM	Operating Temperature C = 0 to +70°C D = -10 to +60°C F = -20 to +70°C H = -30 to +75°C K = -30 to +85°C M = -40 to +85°C P = -40 to +105°C	Frequency (MHz)	Values Added Options Blank = Bulk T1 = 1,000 pcs T3 = 3,000 pcs

Note: Operating Temperature (P option) not available with Stability (P, N, M options)

Reliability Test Conditions

Please contact Abracon Quality Assurance department