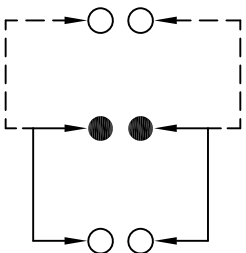


SCHEMATIC (NON-SHORTING)



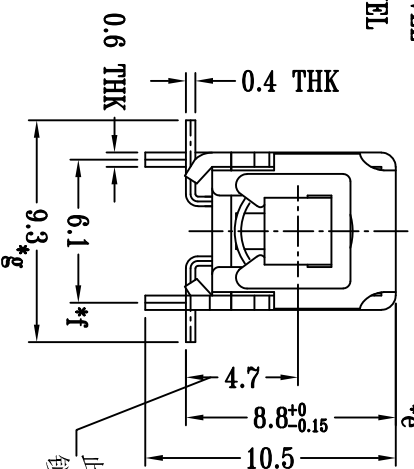
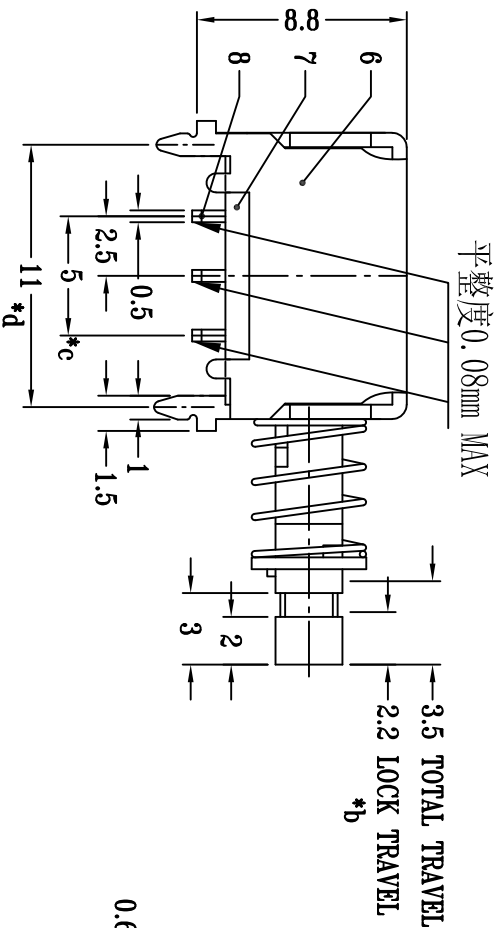
PS-22E25XX

PUSH SWITCH

G-Switch P/N

N=NO LOCK
L=LOCK

A=黑色
B=红色
C=蓝色
D=其它



此尺寸以
锁住状态为准。

G-Switch Specification:

Electrical Specifications: 0.5A 30VDC
Contact Resistance: $\leq 100m\Omega$
Insulation Resistance: $\geq 100M\Omega$ DC125V
Withstand Voltage: AC125V 1 minute
Operating Temperature: $-25^{\circ}C$ ~ $+65^{\circ}C$
Storage Humidity: $\leq 85\%RH$
Electrical Life: 10,000
Mechanical Life: 100,000

注：“*”表示关键尺寸(7个)



G-Switch Electronic (HongKong) CO.,Ltd.

Unless otherwise specified, Tolerance:
X ± 0.30
X.X ± 0.20
X.XX ± 0.15
X.XXX ± 0.10
Angles ± 3

DESIGN	Bright Lee	DATE	2016.05.29	Mold code:	
CHECKED		DATE			
APPROVED		DATE			
http://www.dg-switch.com				REV: X1	SCALE: 4:1
TEL:0769-82388879				SIZE: A4	SHEET: 1/1
				UNIT: mm	

PS-22E25