

# SERIES 04J

## Joystick with Center Pushbutton

### DESCRIPTION

Series 04J is a single pole, 4-way toggle switch with a pushbutton in the center position.

4-way contact is made in the opposite direction of travel.

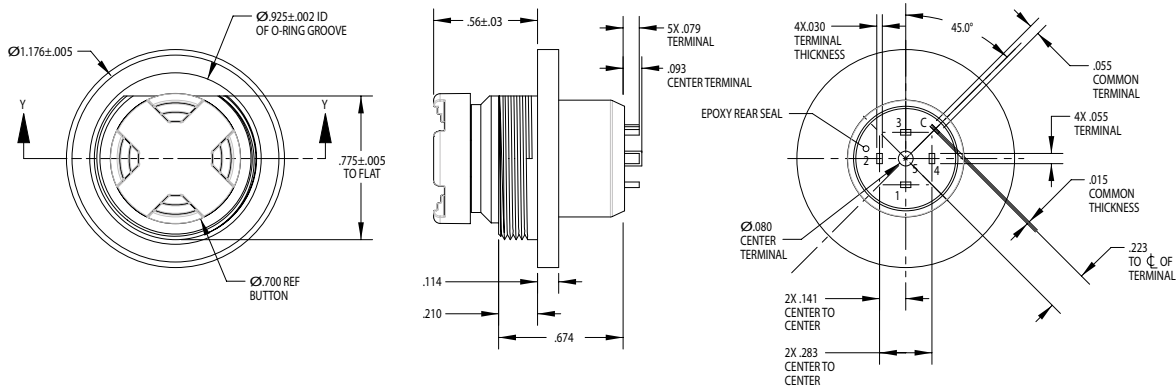
### FEATURES

- Sealed against contamination when properly mounted (IP67)
- Two styles available: behind-panel mount or front-panel mount
- RoHS compliant
- Short behind panel

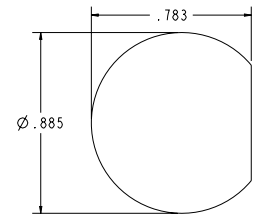


### DIMENSIONS in inches (and millimeters)

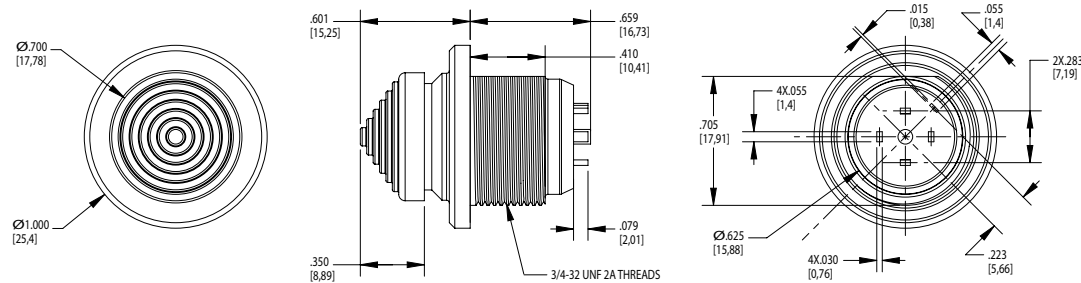
#### Behind Panel Mount



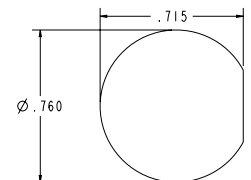
#### Recommended Panel Cutout



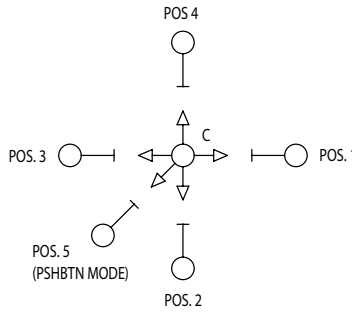
#### Front Panel Mount



#### Recommended Panel Cutout



CIRCUITRY



\* Contact made opposite direction of travel

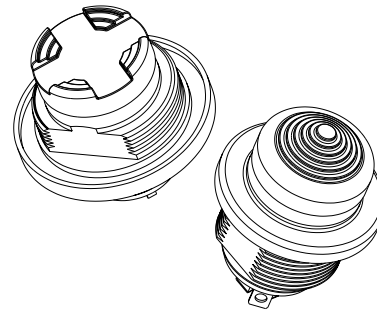
SPECIFICATIONS

Electric and Mechanical Ratings

Rating	2 amp resistive; 0.5 amp inductive at 28VDC or 115VAC
Contact Resistance	.05 ohms (max)
Operating Temperature	-55°C to +85°C
Operational Life	100,000 cycles (min)
Pushbutton Travel	.020 minimum overall
Pushbutton Operating Force	5 lbs. (max)
Insulation Resistance	10,000M ohms
Vibration	per MIL-DTL-9419F, Method 3.5.9
Toggle Lever Travel	15° from center (max)
Toggle Operating Force	16 oz + 6 oz initial
Toggle Pivot and Stop Strength	25 lbs. (max)
Mechanical Shock	per MIL-STD-810, procedure I, method 516.4
Immersion	per MIL-PRF-8805
Moisture Resistance	per MIL-DTL-9419

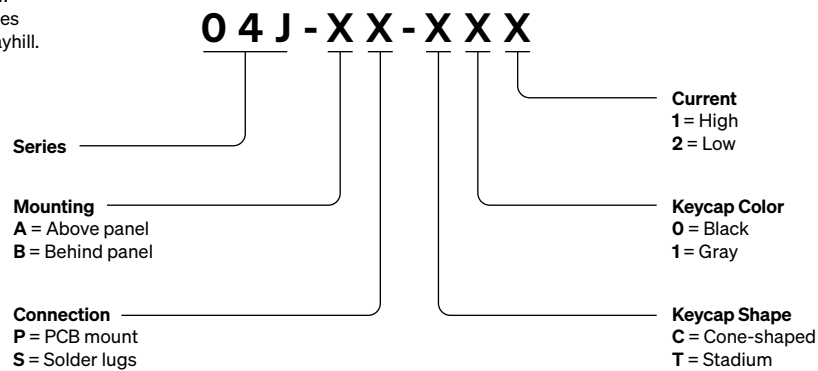
Materials and Finishes

Switch Body and Concave Cap	Thermoplastic (black, cone-shaped cap is gray)
Bushing	Aluminum alloy (black chrome)
Contact Terminals	1/2 hard brass (gold over silver over nickel plating)
Spanner Nut	Stainless steel (black chrome)
O-Ring	50 durometer fluorosilicone



ORDERING INFORMATION

Available from your local Grayhill Distributor. For prices and discounts, contact a local sales office, an authorized local distributor, or Grayhill.



Specifications are subject to change.