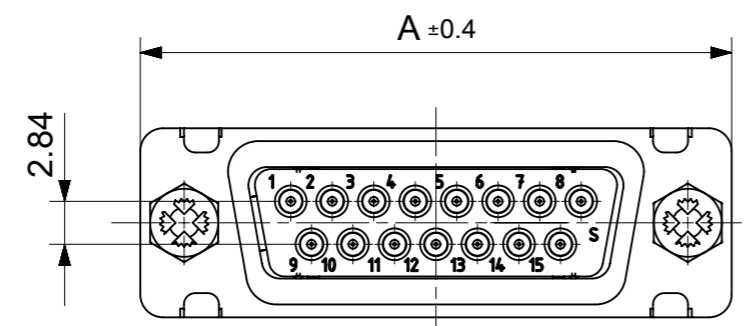
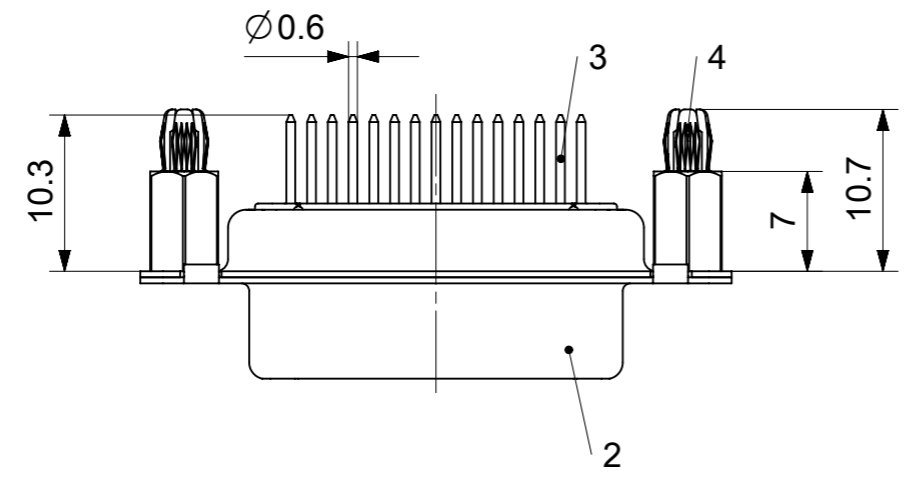
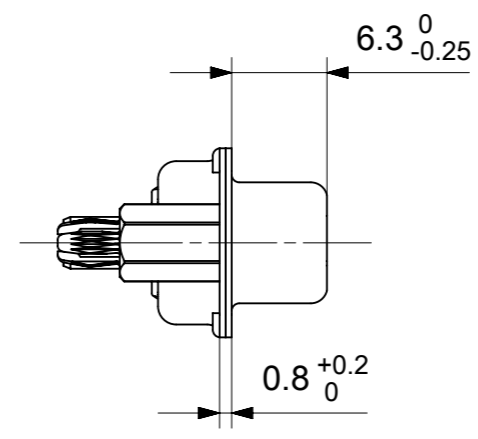
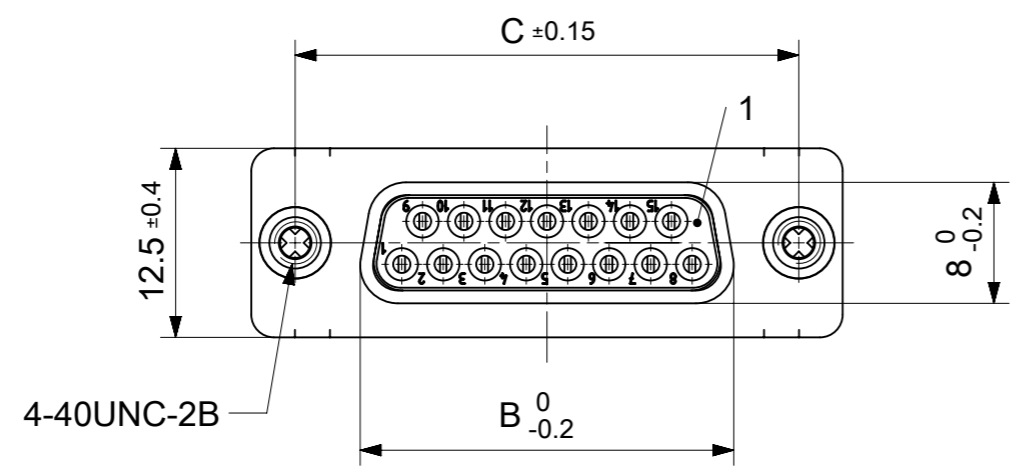


RoHS compliant
by exemption



FCT Part number:

Fxx*1)S1y*2)-1210

e.g. F15S1G1-1210

*1) xx No. of contacts 09, 15, 25 or 37

*2) y for performance classes 1, 2 or 3

(contact cycle for G1/G2/G3 = 500/200/50)

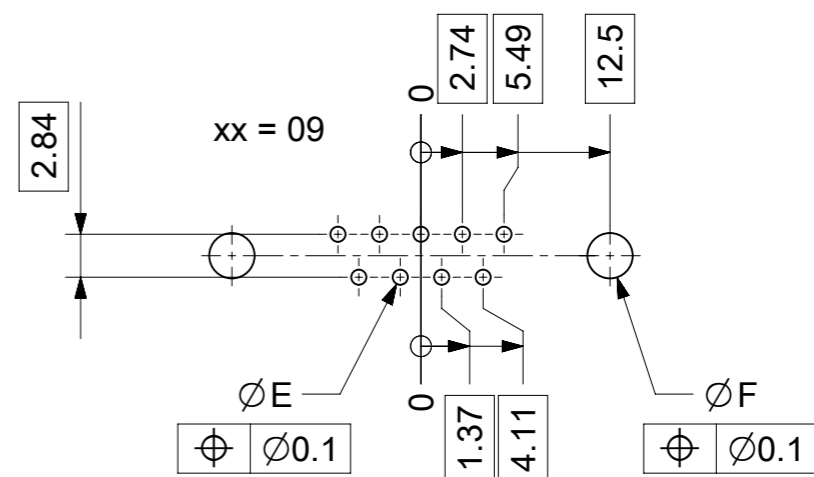
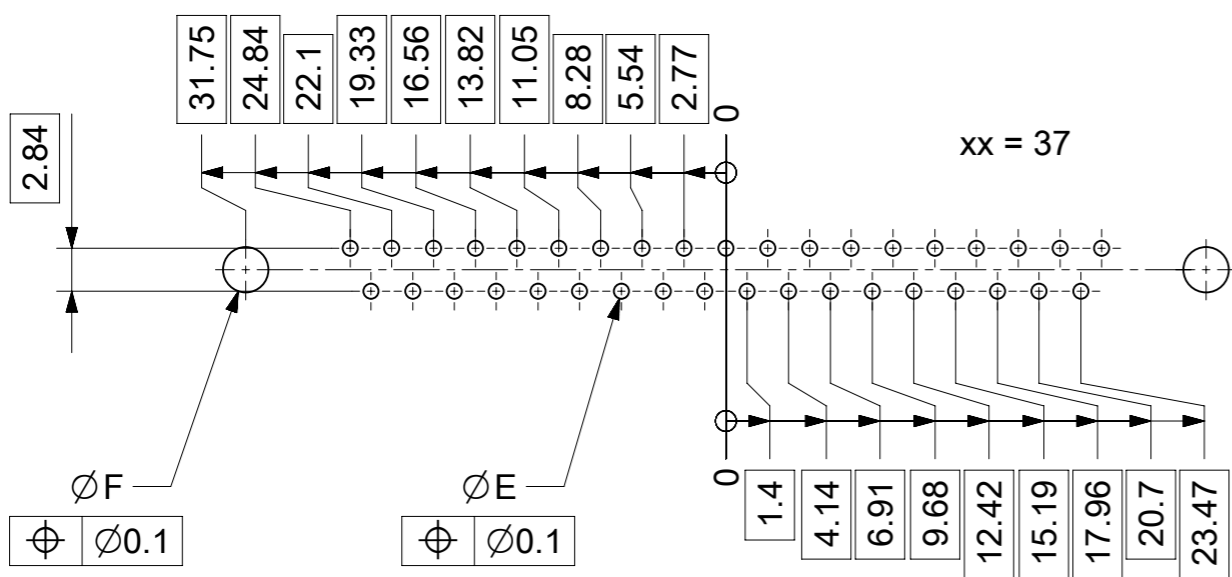
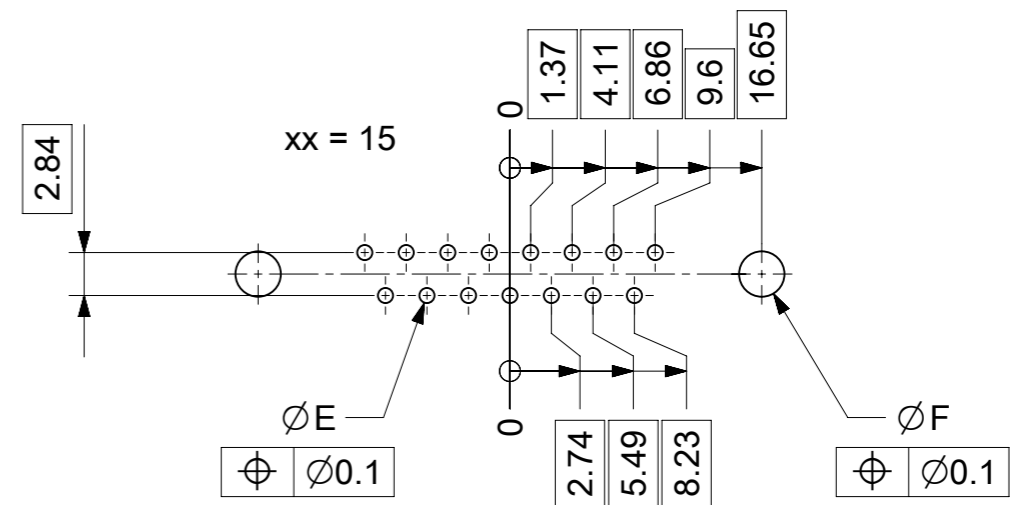
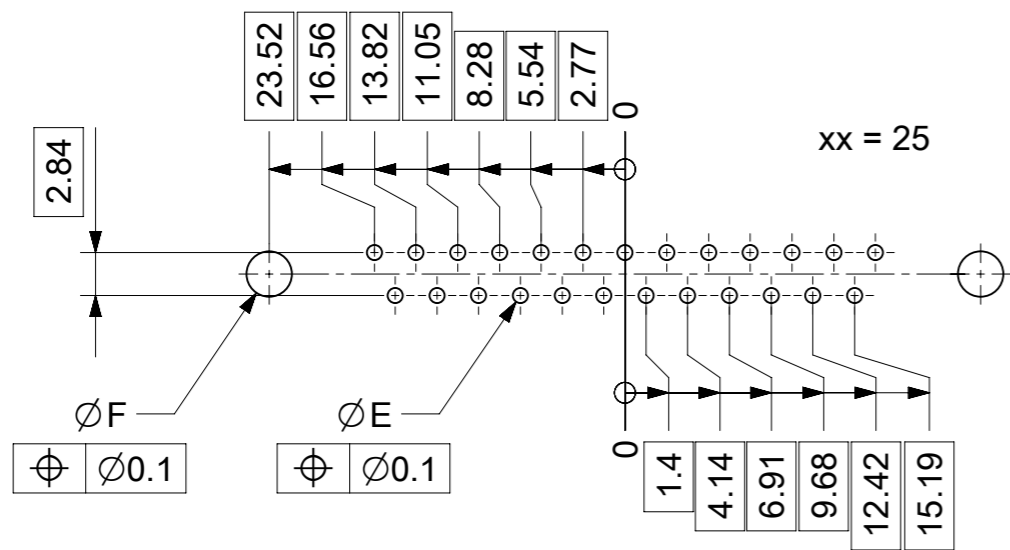
Material Number	xx*1)	y*2)	A[mm]	B[mm]	C[mm]	*E[mm]	*F[mm]
1731092014	09	G2	30.8	16.4	25	Ø1	Ø3
1731091338	15	G2	39.1	24.7	33.3		
1731091452	25	G1	53	38.5	47.04		
1731091541	37	G1	69.3	54.9	63.5		

*PCB hole patterns ØE, ØF see document 2195600023

No.	Pc.	Part	Type Description/Material	Surface plating/Color/Class
4	2	Snap-in bolt	PCB 2.4mm / Brass	tin plated
3	xx	Signal contact	S1 / Brass	G1 / G2
2	1	Shell	Steel	tin plated
1	1	Insulator	PBT (-55°C to +125°C) acc. UL94V-0	white

MEASUREMENTS WITHOUT TOLERANCE ACC TO ISO 2768-m REPLACEMENT FOR DOCUMENT NUMBER: FxxS1Gy-1210

FUNCTIONAL SYMBOLS		THIS DRAWING CONTAINS INFORMATION THAT IS PROPRIETARY TO MOLEX ELECTRONIC TECHNOLOGIES, LLC AND SHOULD NOT BE USED WITHOUT WRITTEN PERMISSION		<p>FCT D-SUB MINIATURE CONNECTOR</p> <p>PRODUCT CUSTOMER DRAWING</p>		
▽A = 0	mm	SCALE	2:1			EC NO: 707726 DRWN: SKANDB 2021/12/03 CHK'D: MTEUBEL 2022/05/25 APPR: MTEUBEL 2022/05/25
▽E = 0	GENERAL TOLERANCES (UNLESS SPECIFIED)					
▽F = 0	ANGULAR TOL ± °					
DIVISIONAL SYMBOLS		CURRENT REV DESC:		DOCUMENT NUMBER		
4 PLACES	±	INITIAL REVISION:		1731092014		
3 PLACES	±	DRWN: SKANDB 2021/12/03		PSD 000 A		
2 PLACES	±	APPR: MTEUBEL 2022/05/25		DOC TYPE DOC PART REVISION		
1 PLACE	±	DRAFT WHERE APPLICABLE MUST REMAIN WITHIN DIMENSIONS		173109		
0 PLACES	±	FIRST ANGLE PROJECTION		MATERIAL NUMBER CUSTOMER		
		DRAWING		SEE TABLE GENERAL MARKET		
		SERIES		SHEET NUMBER		
		A3-SIZE		1 OF 1		



$\varnothing E$, $\varnothing F$ see data sheet incl. connector
 $\varnothing F$ connectors with accessories only

MEASUREMENTS WITHOUT TOLERANCE ACC TO ISO 2768-m			REPLACEMENT FOR DOCUMENT NUMBER: AM0023			
THIS DRAWING CONTAINS INFORMATION THAT IS PROPRIETARY TO MOLEX ELECTRONIC TECHNOLOGIES, LLC AND SHOULD NOT BE USED WITHOUT WRITTEN PERMISSION						
FUNCTIONAL SYMBOLS	DIMENSION UNITS	SCALE	CURRENT REV DESC:			
$\nabla_A = 0$	mm	2:1	EC NO: 713905			
$\nabla_E = 0$	GENERAL TOLERANCES (UNLESS SPECIFIED)		DRWN: SKANDB 2022/05/16			
$\nabla_P = 0$	ANGULAR TOL \pm °		CHK'D: MTEUBEL 2022/07/12			
DIVISIONAL SYMBOLS	4 PLACES	\pm	APPR: MTEUBEL 2022/07/12			
	3 PLACES	\pm	INITIAL REVISION:			
	2 PLACES	\pm	DRWN: SKANDB 2022/05/16			
	1 PLACE	\pm	APPR: MTEUBEL 2022/07/12			
	0 PLACES	\pm	DOCUMENT NUMBER			
DRAFT WHERE APPLICABLE MUST REMAIN WITHIN DIMENSIONS		FIRST ANGLE PROJECTION	DRAWING	SERIES	MATERIAL NUMBER	CUSTOMER
			A3-SIZE	219560	219560	GENERAL MARKET
			DOC TYPE	DOC PART	REVISION	
			PSD	000	A	
			SHEET NUMBER			
			1 OF 1			